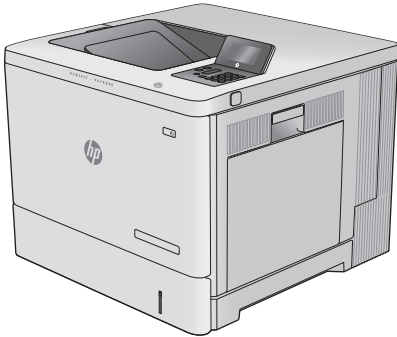


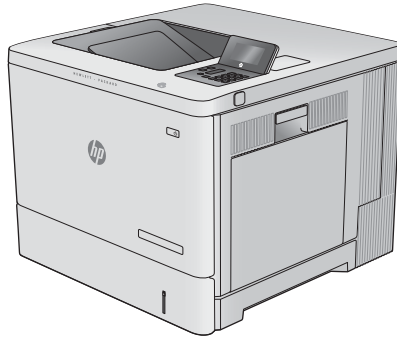


# Color LaserJet Enterprise M552 Color LaserJet Enterprise M553 Color LaserJet Enterprise MFP M577

## Troubleshooting Manual



M553n



M552dn  
M553dn



M553x



M577dn



M577f



M577c  
M577z

[www.hp.com/support/colorlj552](http://www.hp.com/support/colorlj552)  
[www.hp.com/support/colorlj553](http://www.hp.com/support/colorlj553)  
[www.hp.com/support/colorljM577MFP](http://www.hp.com/support/colorljM577MFP)  
For printer part removal and part number  
information, see the Repair Manual.







**HP Color LaserJet Enterprise M553, HP Color  
LaserJet Enterprise M552, and HP Color  
LaserJet Enterprise MFP M577**

**Troubleshooting Manual**

**Copyright and License**

© Copyright 2015 HP Development Company, L.P.

Reproduction, adaptation, or translation without prior written permission is prohibited, except as allowed under the copyright laws.

The information contained herein is subject to change without notice.

The only warranties for HP products and services are set forth in the express warranty statements accompanying such products and services. Nothing herein should be construed as constituting an additional warranty. HP shall not be liable for technical or editorial errors or omissions contained herein.

Edition 1, 11/2015

**Trademark Credits**


Microsoft®, Windows®, Windows® XP, and Windows Vista® are U.S. registered trademarks of Microsoft Corporation.





## Conventions used in this guide

---


 **TIP:** Helpful hints or shortcuts.

 **NOTE:** Information that explains a concept or how to complete a task.

 **Reinstallation tip:** Reinstallation helpful hints, shortcuts, or considerations.

 **IMPORTANT:** Information that help the user to avoid potential printer error conditions.

 **CAUTION:** Procedures that the user must follow to avoid losing data or damaging the printer.

 **WARNING!** Procedures that the user must follow to avoid personal injury, catastrophic loss of data, or extensive damage to the printer.

---



## For additional service and support information

HP service personnel, go to the Service Access Work Bench (SAW) at <http://h41302.www4.hp.com/km/saw/home.do>.

Channel partners, go to HP Channel Services Network (CNS) at <https://h30125.www3.hp.com/hpcsn>.

At these locations, find information on the following topics:

- Install and configure
- Printer specifications
- Up-to-date control panel message (CPMD) troubleshooting
- Solutions for printer issues and emerging issues
- Remove and replace part instructions and videos
- Service advisories
- Warranty and regulatory information

To access HP PartSurfer information from any mobile device, go to <http://partsurfermobile.hp.com/> or scan the Quick Response (QR) code below.





---

# Table of contents

<b>1 Theory of operation .....</b>	<b>1</b>
For additional service and support .....	2
Basic operation .....	3
Sequence of operation .....	5
Formatter-control system .....	7
Sleep mode .....	7
Printer job language (PJM) .....	8
Printer management language (PML) .....	8
Control panel .....	8
Easy-access USB port .....	9
Wireless .....	9
Near field communication (NFC) .....	9
CPU .....	9
Input/output (I/O) .....	9
Memory .....	9
Firmware .....	10
Nonvolatile random access memory (NVRAM) .....	10
Random access memory (RAM) .....	10
HP Memory Enhancement technology (MEt) .....	10
Engine-control system .....	11
DC controller .....	12
Motors .....	13
Fans .....	14
Solenoids .....	14
Clutches .....	14
Switches .....	14
Sensors .....	16
Low-voltage power supply .....	18
Low-voltage power supply voltages description .....	19
Over-current/over-voltage protection .....	19
Sleep mode operation .....	19
Low-voltage power supply failure detection .....	20

Low-voltage power supply functions .....	20
High-voltage power supply .....	20
High-voltage power supply circuits .....	21
Fuser bias .....	22
Fuser control .....	22
Fuser circuits .....	22
Fuser control functions .....	24
Fuser temperature control .....	24
Fuser heater protection .....	26
Fuser unit life detection .....	26
Fuser identification .....	26
Engine laser/scanner system .....	27
Laser/scanner failure detection .....	28
Safety .....	28
Image-formation process .....	29
Step 1: Pre-exposure .....	35
Step 2: Primary charging .....	35
Step 3: Laser-beam exposure .....	36
Step 4: Development .....	36
Step 5: Primary transfer .....	37
Step 6: Secondary transfer .....	37
Step 7: Separation .....	38
Step 8: Fusing .....	38
Step 9: ITB cleaning .....	39
Step 10: Drum cleaning .....	39
Toner cartridges .....	40
Design .....	40
Memory chip .....	42
Toner seal .....	42
Toner level and cartridge life detection .....	42
Developing unit engagement and disengagement control .....	42
Cartridge Authentication Technology (CAT) .....	43
Authentication .....	44
Anti-theft .....	44
Intermediate transfer belt (ITB) unit .....	45
Primary-transfer roller engagement and disengagement control .....	45
ITB unit detection .....	47
ITB cleaning mechanism .....	48
Secondary transfer roller functions .....	48
Calibration .....	49
Pickup, feed, and delivery system .....	50

Photo sensors and switches .....	51
Motors, clutches, and solenoids .....	53
Tray 1 (multipurpose)/Tray 2 (base printer) .....	54
Tray 1 paper pickup and feed .....	54
Tray 2 paper presence detection .....	55
Tray 2 lift operation .....	55
Tray 2 paper pickup .....	56
Tray 2 multiple-feed prevention .....	56
Tray 2 presence detection .....	57
Tray 2 skew feed prevention .....	57
Tray 2 media type detection .....	58
Feed speed control .....	59
Duplexing unit (M552dn, M553dn, M553x, and M577 only) .....	60
Duplexing reverse and duplex feed control .....	60
Jam detection/prevention .....	60
Fuser wrapping jam detection .....	62
Loop control .....	62
Pressure roller pressurization and depressurization control .....	63
Input accessories .....	65
Trays 3-5 .....	65
Trays 3-5 driver PCA .....	65
Trays 3-5 motor control .....	66
Trays 3-5 electrical components .....	66
Trays 3-5 paper pickup .....	67
Trays 3-5 multiple feed prevention .....	67
Trays 3-5 tray presence detection .....	67
Trays 3-5 tray lift operation .....	68
Trays 3-5 jam detection .....	69
Scanning and image capture system (M577) .....	70
Document feeder system (M577) .....	71
Document feed system .....	71
Sensors in the document feeder .....	71
Document feeder paper path .....	72
Document feeder simplex operation .....	73
Document feeder e-duplex operation .....	74
Deskew operation .....	74
Document feeder hinges .....	75
<b>2 Solve problems .....</b>	<b>77</b>
For additional service and support .....	78
Solve problems checklist .....	79

Solve problems checklist .....	79
Print the configuration page .....	84
Print menu map .....	84
Print current settings pages .....	85
Print event log .....	86
Pre-boot menu options .....	88
Remote Admin .....	98
Required software and network connection .....	98
Connect a remote connection .....	100
Disconnect a remote connection .....	104
Troubleshooting process .....	107
Determine the problem source .....	107
Pre-troubleshooting checklist .....	107
Troubleshooting flowchart .....	108
Power subsystem .....	109
Power-on checks .....	109
Power-on troubleshooting overview .....	109
Control panel checks .....	113
Control-panel diagnostics .....	113
Touchscreen diagnostic mode (M553x and M577) .....	113
Control-panel system diagnostics (M553x and M577) .....	118
Control panel diagnostic flowcharts (M553x and M577) .....	133
Touchscreen black, white, or dim (no image) .....	134
Touchscreen is slow to respond or requires multiple presses to respond .....	135
Touchscreen has an unresponsive zone .....	136
No control panel sound .....	137
Home button is unresponsive .....	138
Hardware integration pocket (HIP) is not functioning (control panel functional) .....	139
Tools for troubleshooting .....	140
Individual component diagnostics .....	140
Tools for troubleshooting: LED diagnostics .....	140
Understand lights on the formatter .....	140
Tools for troubleshooting: Engine diagnostics .....	143
Engine test button .....	143
Defeating interlocks .....	145
Disable cartridge check .....	147
Tools for troubleshooting: Paper path and sensor diagnostic tests .....	148
Paper path test .....	148
Paper path sensors test .....	149



Manual sensor tests .....	151
Tray/bin manual sensor test .....	153
Tools for troubleshooting: Print/stop test .....	154
Tools for troubleshooting: Component tests .....	156
Individual component diagnostics (special-mode test) .....	156
Tools for troubleshooting: Scanner tests (M577 only) .....	158
Scanner tests .....	158
Diagrams .....	160
Diagrams: Block diagrams .....	161
Sensors and switches .....	161
Cross section diagrams .....	163
Diagrams: Printed circuit assembly (PCA) connector locations .....	164
DC controller PCA .....	165
Formatter PCA (M552 and M553) .....	167
Formatter PCA (M577) .....	168
1x550-sheet paper feeder PCA .....	169
Scanner control board PCA .....	170
Diagrams: External plug and port locations .....	171
Diagrams: Locations of major assemblies .....	172
Main assemblies (printer base) .....	172
Printed circuit assembly (PCA) locations .....	175
Diagrams: General timing chart .....	176
Diagrams: General circuit diagrams .....	177
Internal test and information pages .....	180
Print a configuration page .....	180
HP embedded Jetdirect page .....	182
Finding important information on the configuration pages .....	183
Print a cleaning page .....	184
Enable and configure auto cleaning .....	184
Control-panel menus .....	185
Administration menu .....	185
Reports menu .....	185
General Settings menu .....	187
Copy Settings menu (M577 only) .....	201
Scan/Digital Send Settings menu (M577 only) .....	209
Fax Settings menu (M577 only) .....	219
General Print Settings menu .....	232
Default Print Options menu .....	235
Display Settings menu .....	237
Manage Supplies menu .....	239
Manage Trays menu .....	244

Network Settings menu .....	246
Troubleshooting menu .....	257
Device Maintenance menu .....	260
Backup/Restore menu .....	260
Calibration/Cleaning menu (M577 only) .....	260
USB Firmware Upgrade menu .....	263
HP FutureSmart Level menu .....	263
Service menu .....	263
Control panel message document (CPMD) .....	264
Control-panel message types .....	264
Control-panel messages and event log entries .....	264
10.XX.YZ Error Messages .....	264
11.XX.YZ Error Messages .....	273
13.XX.YZ Error Messages .....	273
20.XX.YZ Error Messages .....	294
30.XX.YZ Error Messages .....	295
31.XX.YZ Error Messages .....	302
32.XX.YX and 33.XX.YZ Error Messages .....	309
40.XX.YZ Error Messages .....	317
41.XX.YZ Error Messages .....	318
42.XX.YZ Error Messages .....	326
44.XX.XX Error Messages .....	326
47.XX.XX Error Messages .....	328
48.XX.YY Error Messages .....	331
49.XX.YY Error Messages .....	331
50.WX.YZ Error Messages .....	332
51.XX.YZ, 52.XX.YZ Error Messages .....	338
54.XX.YZ Error Messages .....	338
55.XX.YZ, 56.XX.YZ Error Messages .....	340
57.XX.YZ Error Messages .....	342
58.XX.YZ Error Messages .....	343
59.XX.YZ Error Messages .....	345
60.00.0Y, 62.00.00 Error Messages .....	348
70.XX.YY Error Messages .....	348
80.WX.YZ, 81.WX.YZ, 82.WX.YZ Error Messages .....	349
90.XX.YY error messages .....	350
98.0X.0Y Error Messages .....	351
99.XX.YY Error Messages .....	352
Alpha Error Messages .....	359
Tools for troubleshooting: Event log messages .....	389
Print or view an event log .....	390

Clear the event log .....	391
Solve image-quality problems .....	392
Improve print quality .....	392
Color band test .....	392
Repetitive image defect ruler .....	393
Use a ruler to measure between repetitive defects .....	394
Print-quality troubleshooting pages .....	397
Print-quality assessment page .....	401
Print from a different software program .....	402
Check the paper-type setting for the print job .....	403
Check toner-cartridge status .....	403
Clean the printer .....	404
Print a cleaning page .....	404
Visually inspect the toner cartridge or cartridges .....	404
Check paper and the printing environment .....	405
Calibrate the printer .....	405
Use manual print modes .....	406
Image defects table .....	409
Clean the printer .....	417
Clean the paper path .....	417
Print a cleaning page .....	417
Clean the Tray 1 rollers .....	418
Step 1: Remove the Tray 1 pickup roller .....	418
Step 2: Remove the Tray 1 separation roller .....	420
Step 3: Clean the Tray 1 rollers .....	422
Step 4: Install the Tray 1 separation roller .....	423
Step 5: Install the Tray 1 pickup roller .....	426
Clean the Tray 2-X rollers .....	429
Step 1: Remove the Tray 2-X paper pickup roller assembly .....	429
Step 2: Remove the Tray 2-X separation roller .....	432
Step 3: Clean the Tray 2-X rollers .....	434
Step 4: Install the Tray 2-X separation roller .....	434
Step 5: Install the Tray 2-X paper pickup roller assembly .....	436
Check the scanner glass for dirt and smudges (M577 only) .....	439
Clean the pickup rollers and separation pad in the document feeder (M577 only) .....	442
Solve paper handling problems .....	444
Printer feeds incorrect page size .....	444
Printer pulls from incorrect tray .....	444
Printer will not duplex or duplexes incorrectly .....	444
Paper does not feed from Tray 2-X .....	445
Output is curled or wrinkled .....	445

Printer does not pick up paper or misfeeds .....	446
The printer does not pick up paper .....	446
The printer picks up multiple sheets of paper .....	447
Paper does not feed automatically .....	447
Clear paper jams .....	447
Paper path jam sensor locations .....	448
Auto-navigation for clearing jams .....	449
Experiencing frequent or recurring paper jams? .....	449
Clear paper jams in the document feeder .....	451
Clear paper jams in Tray 1 .....	454
Clear paper jams in Tray 2 .....	456
Clear paper jams in the optional 550-sheet trays .....	460
Clear paper jams in the right door and the fuser area .....	465
Clear paper jams in the output bin .....	470
Change jam recovery .....	471
Solve performance problems .....	472
Factors affecting print performance .....	472
Print speeds .....	473
The printer does not print or it prints slowly .....	473
The printer prints slowly .....	474
Solve connectivity problems .....	475
Solve USB connection problems .....	475
Solve wired network problems .....	475
Poor physical connection .....	475
The computer is using the incorrect IP address for the product .....	475
The computer is unable to communicate with the product .....	476
The product is using incorrect link and duplex settings for the network .....	476
New software programs might be causing compatibility problems .....	476
The computer or workstation might be set up incorrectly .....	476
The product is disabled, or other network settings are incorrect .....	476
Service mode functions .....	477
Service menu .....	477
Printer resets .....	479
Restore factory-set defaults .....	479
Restore the service ID .....	479
Printer cold reset .....	480
Format Disk and Partial Clean functions .....	482
Active and repository firmware locations .....	482
Partial Clean .....	482
Execute a Partial Clean .....	483
Format Disk .....	483

Execute a Format Disk .....	484
Firmware upgrades .....	486
Determine the installed revision of firmware .....	487
Perform a firmware upgrade .....	488
HP Embedded Web Server .....	488
USB flash drive (Pre-boot menu) .....	489
USB flash drive (control-panel menu) .....	491
Solve email problems .....	492
Cannot connect to the email server .....	492
Validate the SMTP gateway (Windows) .....	492
Validate the LDAP gateway (Windows) .....	492
<b>Appendix A Printer specifications .....</b>	<b>493</b>
Printer dimensions .....	494
Printer space requirements .....	499
Power consumption, electrical specifications, and acoustic emissions .....	499
Operating-environment range .....	499
Certificates of Volatility .....	500
<b>Index .....</b>	<b>505</b>



---

# List of tables

Table 1-1	Sequence of operation .....	5
Table 1-2	Motors .....	13
Table 1-3	Fans .....	14
Table 1-4	Solenoids .....	14
Table 1-5	Clutches .....	14
Table 1-6	Switches .....	14
Table 1-7	Sensors .....	16
Table 1-8	Converted DC voltages .....	19
Table 1-9	Low-voltage power supply functions .....	20
Table 1-10	High-voltage power supply circuits .....	21
Table 1-11	Fuser components .....	23
Table 1-12	Low-voltage power supply functions .....	24
Table 1-13	Motors .....	31
Table 1-14	Sensors .....	32
Table 1-15	Image formation process .....	33
Table 1-16	Primary-transfer roller engagement states .....	45
Table 1-17	Secondary transfer roller functions .....	48
Table 1-18	Calibration functions .....	49
Table 1-19	Photo sensors and switches .....	51
Table 1-20	Motors, clutches, and solenoids .....	53
Table 1-21	Print mode and feed speed .....	59
Table 1-22	Jams that the printer detects .....	61
Table 1-23	Trays 3-5 motor control .....	66
Table 1-24	Tray 3-5 electrical components .....	66
Table 1-25	Pickup feed components (1x550-sheet paper feeder) .....	67
Table 1-26	Document feeder sensors .....	72
Table 1-27	Document feeder paper path .....	72
Table 2-1	Pre-boot menu options (1 of 7) .....	91
Table 2-2	Pre-boot menu options (2 of 7) .....	92
Table 2-3	Pre-boot menu options (3 of 7) .....	93
Table 2-4	Pre-boot menu options (4 of 7) .....	94
Table 2-5	Pre-boot menu options (5 of 7) .....	94

Table 2-6	Pre-boot menu options (6 of 7)	95
Table 2-7	Pre-boot menu options (7 of 7)	96
Table 2-8	Troubleshooting flowchart	108
Table 2-9	Heartbeat LED, product initialization	141
Table 2-10	Heartbeat LED, product operational	142
Table 2-11	Paper-path sensors diagnostic tests	149
Table 2-12	Manual sensor diagnostic tests	152
Table 2-13	Tray/bin manual sensors	154
Table 2-14	Component test details	157
Table 2-15	Printer base, sensors and switches block diagram	161
Table 2-16	1x550-sheet paper feeder, sensors and switches block diagram	162
Table 2-17	Document feeder, sensors block diagram	162
Table 2-18	Printer base cross section diagram	163
Table 2-19	1x550-sheet paper feeder cross section diagram	164
Table 2-20	DC controller PCA	165
Table 2-21	Formatter PCA	167
Table 2-22	Formatter PCA	168
Table 2-23	1x550-sheet paper feeder PCA	169
Table 2-24	Scan control board PCA	170
Table 2-25	External plug and port locations	171
Table 2-26	Main assemblies, printer base (1 of 2)	172
Table 2-27	Main assemblies, printer base (2 of 2)	173
Table 2-28	PCA locations (printer base)	175
Table 2-29	Configuration page	181
Table 2-30	HP embedded Jetdirect page	182
Table 2-31	Important information on the configuration pages	183
Table 2-32	<a href="#">Reports</a> menu	185
Table 2-33	<a href="#">General Settings</a> menu	187
Table 2-34	<a href="#">Copy Settings</a> menu (M577 only)	201
Table 2-35	<a href="#">Scan/Digital Send Settings</a> menu (M577 only)	209
Table 2-36	<a href="#">Fax Settings</a> menu (M577 only)	219
Table 2-37	<a href="#">General Print Settings</a> menu	232
Table 2-38	<a href="#">Default Print Options</a> menu	235
Table 2-39	<a href="#">Display Settings</a> menu	237
Table 2-40	<a href="#">Manage Supplies</a> menu	239
Table 2-41	<a href="#">Manage Trays</a> menu	244
Table 2-42	<a href="#">Network Settings</a> menu	246
Table 2-43	Wireless Menu	246
Table 2-44	<a href="#">Embedded Jetdirect Menu</a>	246
Table 2-45	<a href="#">Troubleshooting</a> menu	257
Table 2-46	<a href="#">Backup/Restore</a> menu	260



Table 2-47	Calibration/Cleaning menu (M577)	260
Table 2-48	Call out Cable identification	295
Table 2-49	Call out Cable identification	302
Table 2-50	Sample event log page	389
Table 2-51	Repetitive defects	393
Table 2-52	Print modes under the Adjust Paper Types submenu	407
Table 2-53	Print modes under the Optimize submenu	407
Table 2-54	Image defects table	409
Table 2-55	Printer feeds incorrect page size	444
Table 2-56	Printer pulls from incorrect tray	444
Table 2-57	Printer will not duplex (print 2-sided jobs) or duplexes incorrectly	444
Table 2-58	Paper does not feed from Tray 2-X	445
Table 2-59	Output is curled or wrinkled	445
Table 2-60	Paper does not feed automatically	447
Table 2-61	Printer base jam sensors	448
Table 2-62	1x550-sheet paper-feeder jam sensors	449
Table 2-63	Document feeder, sensors block diagram	449
Table 2-64	Solve performance problems	472
Table A-1	Operating-environment specifications	499



---

# List of figures

Figure 1-1	Relationship between the main printer systems .....	3
Figure 1-2	System block diagram .....	4
Figure 1-3	Engine-control system .....	11
Figure 1-4	DC controller block diagram .....	12
Figure 1-5	Low-voltage power-supply circuit .....	18
Figure 1-6	High-voltage power supply circuits .....	21
Figure 1-7	Fuser components .....	23
Figure 1-8	Fuser temperature-control circuit .....	25
Figure 1-9	Laser/scanner system .....	27
Figure 1-10	Image-formation system .....	30
Figure 1-11	Motors .....	31
Figure 1-12	Sensors .....	32
Figure 1-13	Image-formation process .....	33
Figure 1-14	Pre-exposure .....	35
Figure 1-15	Primary charging .....	35
Figure 1-16	Laser-beam exposure .....	36
Figure 1-17	Development .....	36
Figure 1-18	Primary transfer .....	37
Figure 1-19	Secondary transfer .....	37
Figure 1-20	Separation .....	38
Figure 1-21	Fusing .....	38
Figure 1-22	ITB cleaning .....	39
Figure 1-23	Drum cleaning .....	39
Figure 1-24	Toner cartridge system .....	41
Figure 1-25	Developer roller engagement and disengagement control .....	43
Figure 1-26	ITB unit .....	45
Figure 1-27	Three states of primary-transfer roller engagement and disengagement .....	46
Figure 1-28	ITB cleaning process .....	48
Figure 1-29	Pickup, feed, and delivery system .....	50
Figure 1-30	Photo sensors and switches .....	51
Figure 1-31	Motors, clutches, and solenoids .....	53
Figure 1-32	Tray 1 pickup mechanism .....	55

Figure 1-33	Tray 2 multiple-feed prevention .....	57
Figure 1-34	Skew-feed prevention .....	58
Figure 1-35	Media sensors .....	59
Figure 1-36	Jam detection sensors .....	61
Figure 1-37	Loop control mechanism .....	63
Figure 1-38	Pressure roller pressurization control .....	63
Figure 1-39	550-sheet paper feeder .....	65
Figure 1-40	Tray 3-5 driver PCA .....	66
Figure 1-41	Paper pickup and feed operation (550-sheet paper feeder) .....	67
Figure 1-42	Jam detection (1x550-sheet paper feeder) .....	69
Figure 1-43	Document feeder sensors .....	72
Figure 1-44	Document feeder paper path .....	72
Figure 1-45	Deskew operation .....	75
Figure 1-46	Document feeder open (book mode) .....	76
Figure 1-47	Document feeder open (60° to 80°) .....	76
Figure 2-1	Open the Pre-boot menu .....	88
Figure 2-2	Pre-boot menu .....	89
Figure 2-3	Open the Pre-boot menu .....	90
Figure 2-4	Open the Control Panel .....	99
Figure 2-5	Turn Windows features on or off .....	99
Figure 2-6	Enable the telnet client feature .....	100
Figure 2-7	Select the +3:Administrator item .....	101
Figure 2-8	Select the +A:Remote Admin item .....	101
Figure 2-9	Select the 1:Start Telnet item .....	101
Figure 2-10	Telnet connecting message .....	101
Figure 2-11	Telnet error message .....	102
Figure 2-12	Telnet server function initialized .....	102
Figure 2-13	Open a command window .....	103
Figure 2-14	Start a telnet session .....	103
Figure 2-15	Establish a telnet connection .....	103
Figure 2-16	Enter the PIN .....	104
Figure 2-17	Remote Admin window .....	104
Figure 2-18	Access the administrator menu .....	105
Figure 2-19	Access the remote admin menu .....	105
Figure 2-20	Terminate the telnet connection .....	106
Figure 2-21	Diagnostic-tests access button .....	113
Figure 2-22	Press the diagnostics-access button .....	114
Figure 2-23	Diagnostic-tests access button .....	114
Figure 2-24	Press the diagnostics-access button .....	115
Figure 2-25	Control-panel version A yellow screen .....	115
Figure 2-26	Exit the diagnostic mode .....	117

Figure 2-27	Open the Pre-boot menu .....	118
Figure 2-28	Pre-boot menu .....	119
Figure 2-29	Access the administration menu .....	120
Figure 2-30	Access the diagnostics menu .....	120
Figure 2-31	Open the screen test .....	121
Figure 2-32	Blue vertical gradient screen .....	121
Figure 2-33	Open the touch test .....	125
Figure 2-34	Touch the white grid .....	125
Figure 2-35	Verify the mark .....	126
Figure 2-36	Open the softkey test .....	127
Figure 2-37	Touch the Home button .....	127
Figure 2-38	Successful test .....	128
Figure 2-39	Open the backlight test .....	129
Figure 2-40	Open the sound test .....	130
Figure 2-41	Open the sound test .....	131
Figure 2-42	Open the sound test .....	132
Figure 2-43	Touchscreen blank, white, or dim (no image) .....	134
Figure 2-44	Touchscreen is slow to respond or requires multiple presses to respond .....	135
Figure 2-45	Touchscreen has an unresponsive zone .....	136
Figure 2-46	No control panel sound .....	137
Figure 2-47	Home button is unresponsive .....	138
Figure 2-48	Hardware integration pocket (HIP) is not functioning (control panel functional) .....	139
Figure 2-49	Engine test button .....	144
Figure 2-50	Defeating interlocks (front door) .....	145
Figure 2-51	Defeating interlocks (right door; right side) .....	146
Figure 2-52	Defeating interlocks (right door; left side) .....	146
Figure 2-53	Printer base, sensors and switches block diagram .....	161
Figure 2-54	1x550-sheet paper feeder, sensors and switches block diagram .....	162
Figure 2-55	Document feeder, sensors block diagram .....	162
Figure 2-56	Printer base cross section diagram .....	163
Figure 2-57	1x550-sheet paper feeder cross section diagram .....	164
Figure 2-58	DC controller PCA .....	165
Figure 2-59	Formatter PCA .....	167
Figure 2-60	Formatter PCA .....	168
Figure 2-61	1x550-sheet paper feeder PCA .....	169
Figure 2-62	Scan control board PCA .....	170
Figure 2-63	External plug and port locations .....	171
Figure 2-64	Main assemblies, printer base (1 of 2) .....	172
Figure 2-65	Main assemblies, printer base (2 of 2) .....	173
Figure 2-66	PCA locations (printer base) .....	175
Figure 2-67	General timing chart .....	176

Figure 2-68	General circuit diagram (printer base) (1 of 2) .....	177
Figure 2-69	General circuit diagram (printer base) (2 of 2) .....	178
Figure 2-70	General circuit diagram 1x550-sheet paper feeder .....	179
Figure 2-71	Configuration page .....	181
Figure 2-72	Configuration page .....	182
Figure 2-73	Paper Tray guides .....	275
Figure 2-74	Paper height guides .....	275
Figure 2-75	Paper Tray guides .....	277
Figure 2-76	Paper height guides .....	277
Figure 2-77	Paper Tray guides .....	279
Figure 2-78	Paper height guides .....	279
Figure 2-79	Tray 1 Paper guides .....	283
Figure 2-80	Tray 1 Paper height guides .....	283
Figure 2-81	Tray 2 Paper guides .....	284
Figure 2-82	Tray 2 Paper height guides .....	284
Figure 2-83	Paper Tray guides .....	287
Figure 2-84	Paper height guides .....	287
Figure 2-85	500 Sheet paper tray door .....	364
Figure 2-86	Sample event log .....	389
Figure 2-87	Examples of repetitive defects .....	394
Figure 2-88	Place the ruler on the page .....	395
Figure 2-89	Locate the next repetitive defect .....	395
Figure 2-90	Determine the defective assembly .....	396
Figure 2-91	Print-quality troubleshooting procedure .....	398
Figure 2-92	Yellow print-quality troubleshooting page .....	398
Figure 2-93	Yellow comparison page .....	399
Figure 2-94	Black print-quality troubleshooting page .....	400
Figure 2-95	Open Tray 1 .....	418
Figure 2-96	Open the roller cover .....	418
Figure 2-97	Remove the cover .....	419
Figure 2-98	Release two tabs .....	419
Figure 2-99	Remove the roller .....	420
Figure 2-100	Release the tray retainers .....	420
Figure 2-101	Raise Tray 1 up .....	421
Figure 2-102	Open the roller cover .....	421
Figure 2-103	Release one tab .....	422
Figure 2-104	Remove the roller .....	422
Figure 2-105	Clean the rollers .....	423
Figure 2-106	Locate the keyed end of the roller and the holder .....	423
Figure 2-107	Install the roller .....	424
Figure 2-108	Rotate the end of the roller into the holder .....	424

Figure 2-109	Close the roller cover .....	425
Figure 2-110	Lower Tray 1 down .....	425
Figure 2-111	Reconnect the tray retainers .....	426
Figure 2-112	Install the roller .....	426
Figure 2-113	Reconnect two tabs .....	427
Figure 2-114	Install the roller cover .....	427
Figure 2-115	Close the roller cover .....	428
Figure 2-116	Close Tray 1 .....	428
Figure 2-117	Pull the tray out .....	429
Figure 2-118	Remove the tray .....	429
Figure 2-119	Open the right door .....	430
Figure 2-120	Raise the transfer roller assembly .....	430
Figure 2-121	Lower the paper guide .....	431
Figure 2-122	Locate the tray pickup roller .....	431
Figure 2-123	Slide the assembly to the left .....	432
Figure 2-124	Remove the roller assembly .....	432
Figure 2-125	Locate the roller assembly .....	433
Figure 2-126	Push up on the blue label .....	433
Figure 2-127	Remove the roller assembly .....	434
Figure 2-128	Clean the rollers .....	434
Figure 2-129	Install the roller assembly .....	435
Figure 2-130	Fully seat the roller assembly .....	435
Figure 2-131	Check the installation .....	436
Figure 2-132	Note of the mounting tab .....	436
Figure 2-133	Position the roller assembly in the printer .....	437
Figure 2-134	Release the spring loaded shaft .....	437
Figure 2-135	Verify the roller installation .....	438
Figure 2-136	Install the tray .....	438
Figure 2-137	Close the tray .....	439
Figure 2-138	Printer base jam sensors .....	448
Figure 2-139	1x550-sheet paper-feeder jam sensors .....	449
Figure 2-140	Document feeder jam sensors .....	449
Figure 2-141	Open the Pre-boot menu .....	480
Figure 2-142	Open the Pre-boot menu .....	483
Figure 2-143	Open the Pre-boot menu .....	484
Figure 2-144	Open the Pre-boot menu .....	489
Figure A-1	Dimensions for the M552dn and M553n/dn models .....	494
Figure A-2	Dimensions for the M553x model .....	494
Figure A-3	Dimensions for the M577 models .....	495
Figure A-4	Dimensions for the 1 x 550-sheet paper feeder .....	495
Figure A-5	Dimensions for the cabinet/stand .....	496

Figure A-6	Dimensions for the M552 and M553 models with one 1 x550-sheet tray and the cabinet/stand .....	497
Figure A-7	Dimensions for the M577 models with three 1 x 550-sheet paper feeders and the cabinet/stand .....	498
Figure A-8	Certificate of Volatility (M522/M553; 1 of 2) .....	500
Figure A-9	Certificate of Volatility (M522/M553; 2 of 2) .....	501
Figure A-10	Certificate of Volatility (M577; 1 of 2) .....	502
Figure A-11	Certificate of Volatility (M577; 2 of 2) .....	503



---

# 1 Theory of operation

- [For additional service and support](#)
- [Basic operation](#)
- [Formatter-control system](#)
- [Engine-control system](#)
- [Engine laser/scanner system](#)
- [Pickup, feed, and delivery system](#)
- [Input accessories](#)
- [Scanning and image capture system \(M577\)](#)
- [Document feeder system \(M577\)](#)

## For additional service and support

HP service personnel, go to the Service Access Work Bench (SAW) at <http://h41302.www4.hp.com/km/saw/home.do>.

Channel partners, go to HP Channel Services Network (CSN) at <https://h30125.www3.hp.com/hpcsn>.

At these locations, find information on the following topics:

- Install and configure
- Printer specifications
- Up-to-date control-panel message (CPMD) troubleshooting
- Solutions for printer issues and emerging issues
- Remove and replace part instructions and videos
- Service advisories
- Warranty & regulatory information

To access HP PartSurfer information from any mobile device, go to <http://partsurfermobile.hp.com/> or scan the Quick Response (QR) code below.



## Basic operation

The printer routes all high-level processes through the formatter, which stores font information, processes the print image, and communicates with the host computer.

The basic printer operation comprises the following systems:

- The engine-control system, which includes the power supply and the DC controller printed circuit assembly (PCA)
- The laser scanner system, which forms the latent image on the photosensitive drum
- The image-formation system, which transfers a toner image onto the paper
- The pickup, feed, and delivery system, which uses a system of rollers and belts to transport the paper through the printer
- Accessory (optional paper feeder)
- Image scanner (M577)

**Figure 1-1** Relationship between the main printer systems

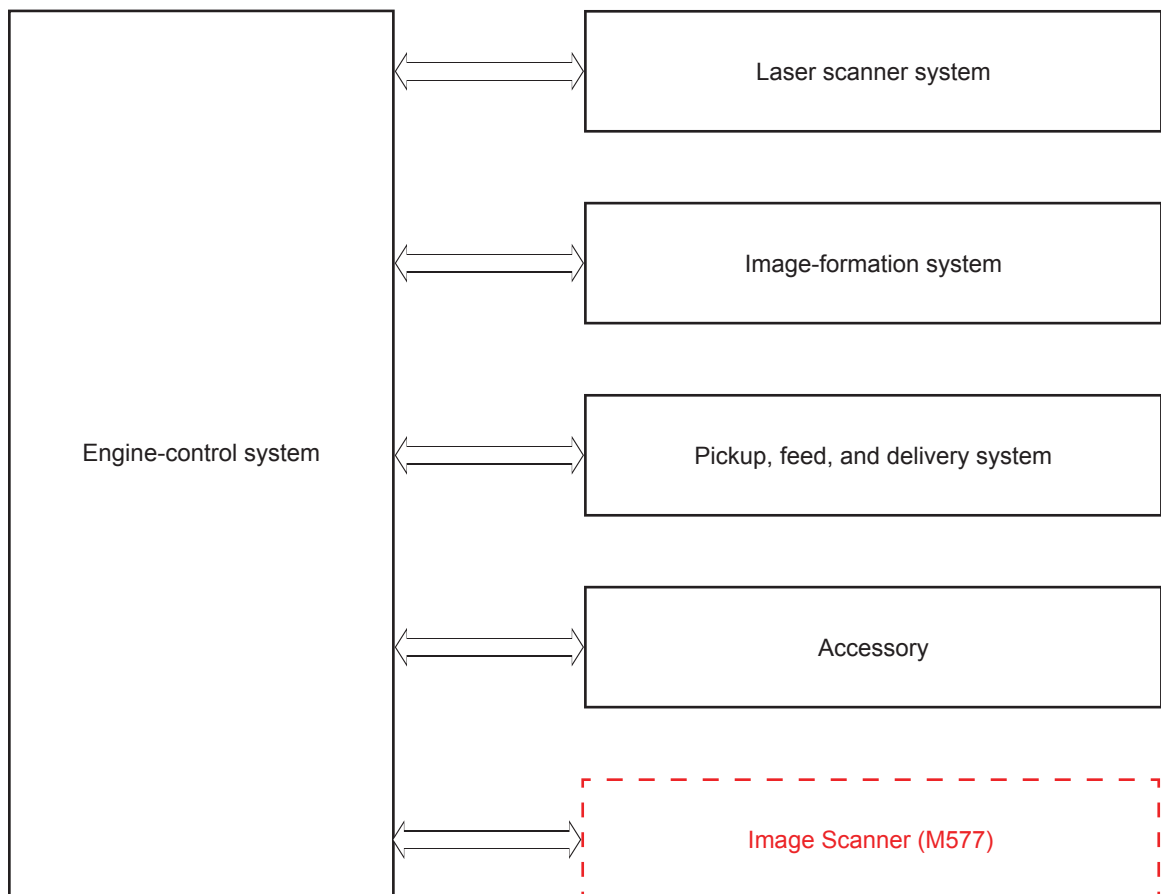
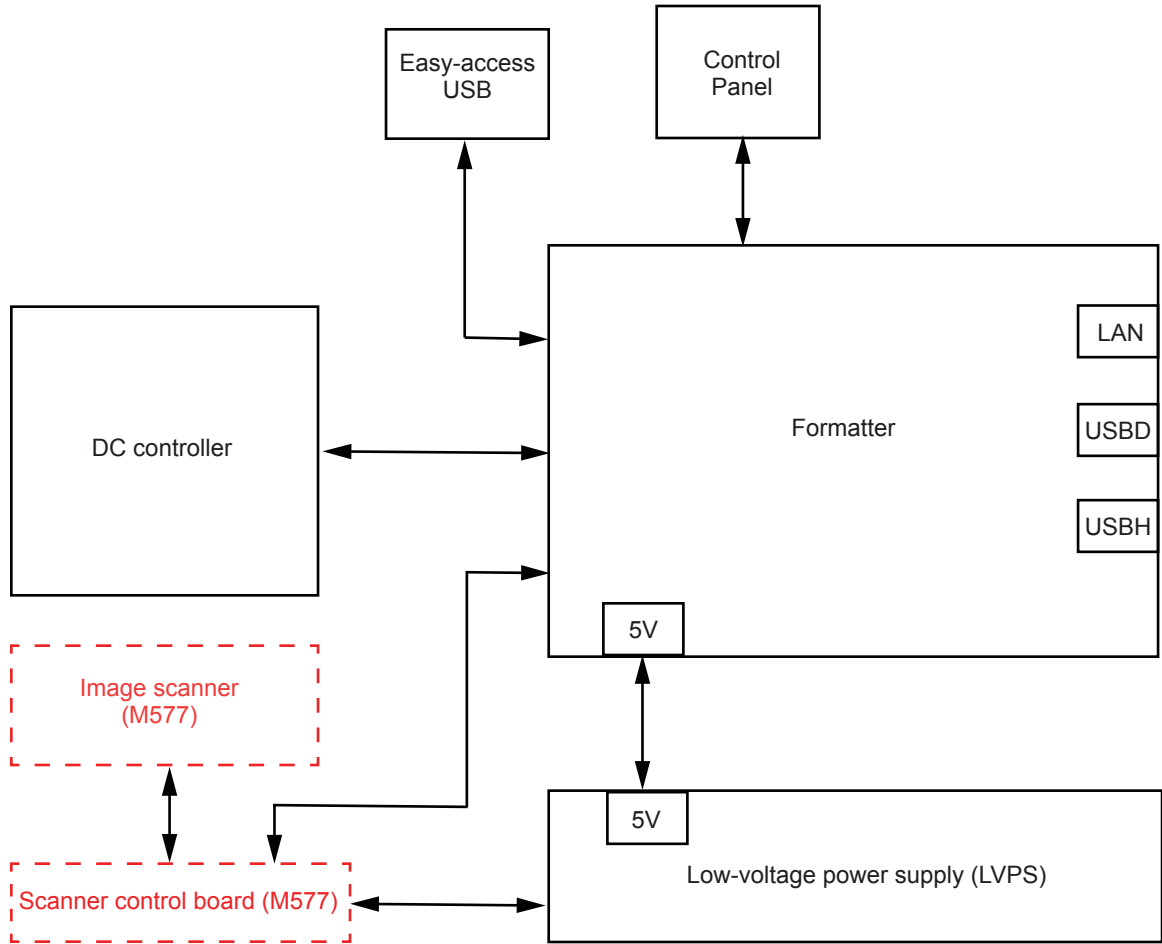


Figure 1-2 System block diagram



## Sequence of operation

The DC controller PCA controls the operating sequence, as described in the following table.

**Table 1-1 Sequence of operation**

Period	Duration	Description
Waiting	From the time the power is turned on, the door is closed, or when the printer exits Sleep mode until the printer is ready for printing.	<ul style="list-style-type: none"> <li>• Detects the fuser</li> <li>• Heats the fuser sleeve in the fuser</li> <li>• Pressurizes the pressure roller in the fuser</li> <li>• Detects the toner cartridges</li> <li>• Separates all of the developing rollers from the photosensitive drums in the toner cartridges</li> <li>• Separates all of the transfer rollers from the photosensitive drums in the toner cartridges</li> <li>• Rotates and stops each motor</li> <li>• Rotates and stops each fan</li> <li>• Detects the ITB</li> <li>• Cleans the ITB and secondary transfer roller</li> </ul>
Standby	From the end of the waiting sequence, the last rotation until the formatter receives a print command, or until the printer is turned off.	<ul style="list-style-type: none"> <li>• Is in the Ready state</li> <li>• Enters Sleep mode if the formatter sends the sleep command</li> <li>• Rotates and stops each fan</li> <li>• Calibrates if the formatter sends the calibration command</li> </ul>
Initial rotation	From the time the formatter receives a print command until the paper enters the paper path.	<ul style="list-style-type: none"> <li>• Rotates each motor</li> <li>• Rotates each fan</li> <li>• Activates the high-voltage power supply</li> <li>• Prepares the laser/scanner unit</li> <li>• Warms the fuser to the correct temperature</li> </ul>

**Table 1-1 Sequence of operation (continued)**

<b>Period</b>	<b>Duration</b>	<b>Description</b>
Printing	From the time the first sheet of paper enters the paper path until the last sheet has passed through the fuser.	<ul style="list-style-type: none"><li>• Forms the image on the photosensitive drums</li><li>• Transfers the toner to the paper</li><li>• Fuses the toner image onto the paper</li></ul>
Last rotation	From the time the last sheet of paper exits the fuser until the motors stop rotating.	<ul style="list-style-type: none"><li>• Moves the last printed sheet into the output bin</li><li>• Stops each motor</li><li>• Stops each fan</li><li>• Stops the high-voltage power supply</li><li>• Stops the laser/scanner unit</li><li>• Turns the fuser heater off</li><li>• If another print command is received, the printer enters the initial rotation period when the last rotation is complete.</li></ul>

# Formatter-control system

The formatter performs the following functions:

- Controls sleep mode
- Receives and processes print data from the various printer interfaces
- Monitors control panel functions and relays printer status information through the control panel and the network or bi-directional interface
- Develops and coordinates data placement and timing with the DC controller PCA
- Stores font information
- Communicates with the host computer through the network or the bidirectional interface

The formatter receives a print job from the network or bidirectional interface and separates it into image information and instructions that control the printing process. The DC controller PCA synchronizes the image formation system with the paper input and output systems, and then signals the formatter to send the print image data.

## Sleep mode



---

**NOTE:** In the [General Settings](#) menu (a submenu of the [Administration](#) menu), this item is termed [Sleep Timer Settings](#).

---

This feature conserves power after the printer has been idle for an adjustable period of time. When the printer is in Sleep mode, the printer retains all settings, downloaded fonts, and macros. The default setting is for Sleep mode to be enabled, and the printer enters Sleep mode after a 30-second idle time.

The printer firmware uses a combination of timers and Sleep settings to control when the printer enters a different state as well as what states the printer will enter. The available states are listed below, in descending order, from using the most power to using the least power:

- **Active:** The printer control panel is fully illuminated. The power button light is illuminated.
- **Shallow sleep:** The printer control panel is dim and the content is grayed out, but is still readable. The power button light is illuminated.
- **Sleep:** The printer control panel is off (blacked out). The power button light blinks once every three seconds.
- **Deep sleep:** The printer control panel is off (blacked out). The power button light blinks once every three seconds. The control panel and power button appearance is the same in this state as the sleep state. However, the printer is drawing less than 1 watt of power in the deep sleep state (as opposed to 6 watts of power in the sleep state).
- **Off:** This state is entered by pressing the power button or removing power from the printer. The power button light is not illuminated.



---

**NOTE:** In some countries/regions, Sleep mode cannot be turned off.

---

The printer exits Sleep mode and enters the warm-up cycle when any of the following events occur:

- The printer receives a print job, valid data, or a PML or PJJ command.
- A control-panel button is pressed or the touchscreen is touched.

- A cover or door is opened.
- The engine self-test switch is pressed.
- A paper tray, other than Tray 1, is opened.



**NOTE:** If the printer is in the deep sleep state, opening a paper tray will not cause the printer to exit Sleep mode.



**NOTE:** Printer error messages override the Sleep message. The printer enters Sleep mode at the appropriate time, but the error message continues to appear.



**TIP:** When the printer is in Sleep mode, the sub-power supply is off and the low-voltage power supply is on.

## Printer job language (PJL)

PJL is an integral part of printer configuration, in addition to the standard printer command language (PCL) and PostScript (PS). With standard cabling, the printer can use PJL to perform a variety of functions, such as these:

- **Two-way communication with the host computer through a network connection or a USB device port:** The printer can inform the host about the control-panel settings, and the control-panel settings can be changed from the host.
- **Dynamic I/O switching:** The printer uses this switching to be configured with a host on each I/O. The printer can receive data from more than one I/O simultaneously, until the I/O buffer is full. This can occur even when the printer is offline.
- **Context-sensitive switching:** The printer can automatically recognize the personality (PS or PCL) of each job and configure itself to serve that personality.
- **Isolation of print environment settings from one print job to the next:** For example, if a print job is sent to the printer in landscape mode, the subsequent print jobs print in landscape only if they are formatted for landscape printing.

## Printer management language (PML)

PML allows remote configuration of the printer and status read-back from the printer through the I/O ports.

## Control panel

The M552dn, M553n and M553dn control panel is a 6.85 cm (2.7 in) four-line color display with numeric keypad and additional buttons for navigating control panel menus. The M553x control panel is a 10.9 cm (4.3 in) full-color SVGA with infrared touchscreen and adjustable viewing angle. The M577 control panel is a 20.3 cm (8 in) full-color SVGA with infrared touchscreen and adjustable viewing angle.

The M553x and M577 control panels have a diagnostic mode to allow testing of the touchscreen, [Home](#) button, and speaker. The control panels do not require calibration.



## Easy-access USB port

This printer features easy-access USB printing, for quickly printing files without sending them from a computer. The printer accepts standard USB flash drives in the USB port near the control panel. It supports the following types of files:

- .pdf
- .prn
- .pcl
- .ps
- .cht

The USB port is disabled by default. Follow the instructions in the printer user guide to enable the USB port and print USB documents.

## Wireless

The M553x and M577z models contain a wireless card to enable wireless direct printing over a 802.11b/g/n wireless connection.



---

**NOTE:** This card does not enable the printer to connect to the network.

---

## Near field communication (NFC)

The M553x and M577z models support NFC capabilities. NFC enables a connection between the printer and a mobile device, such as a smartphone or tablet, by touching the device to the NFC icon on the bottom of the control panel. Documents and images from the mobile device can then be printed through the wireless card on the printer

## CPU

The formatter incorporates a 1.2 GHz processor.

## Input/output (I/O)

The printer has three I/O interfaces:

- Hi-Speed USB 2.0
- 10/100/1000 Ethernet LAN connection with IPv4 and IPv6
- Easy-access USB printing (no computer required)

## Memory

The formatter incorporates different types of memory and storage to store the printer firmware as well as print-job data and user settings.

## Firmware

The embedded MultiMedia Card (eMMC) on the formatter stores the firmware for the M552 and M553 models. The hard disk drive (HDD) on the formatter stores the firmware for the M577 models. A remote firmware upgrade process is used to overwrite and upgrade the firmware.

## Nonvolatile random access memory (NVRAM)

The printer uses NVRAM to store printer and user configuration settings. The contents of NVRAM are retained when the printer is turned off or disconnected.

## Random access memory (RAM)

The RAM on the formatter serves as a temporary storage area for printing and system operation.

## HP Memory Enhancement technology (MEt)

MEt effectively doubles the amount of standard memory through a variety of font- and data-compression methods.



---

**NOTE:** MEt is available only in when printing in printer command language (PCL) mode. It is not functional when printing in PostScript (PS) mode.

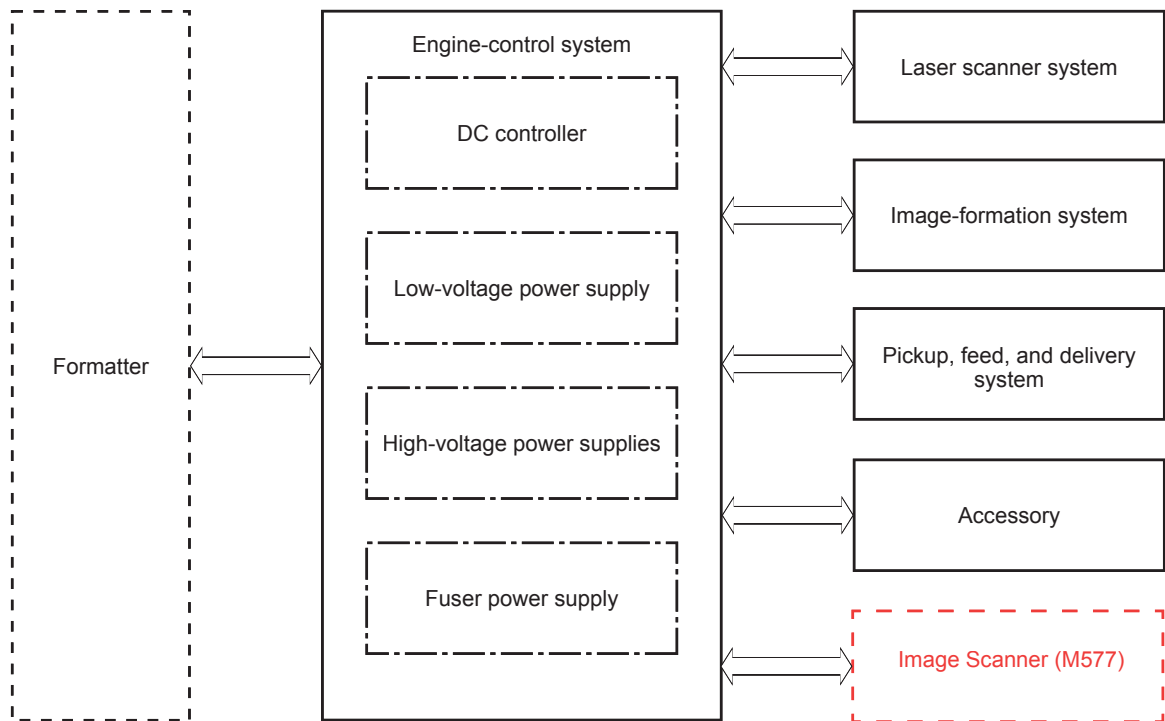
---

# Engine-control system

The engine-control system receives commands from the formatter and interacts with the other main systems to coordinate all printer functions. The engine-control system consists of the following components:

- DC controller
- One low-voltage power supply
- Two high-voltage power supplies
- One fuser power supply

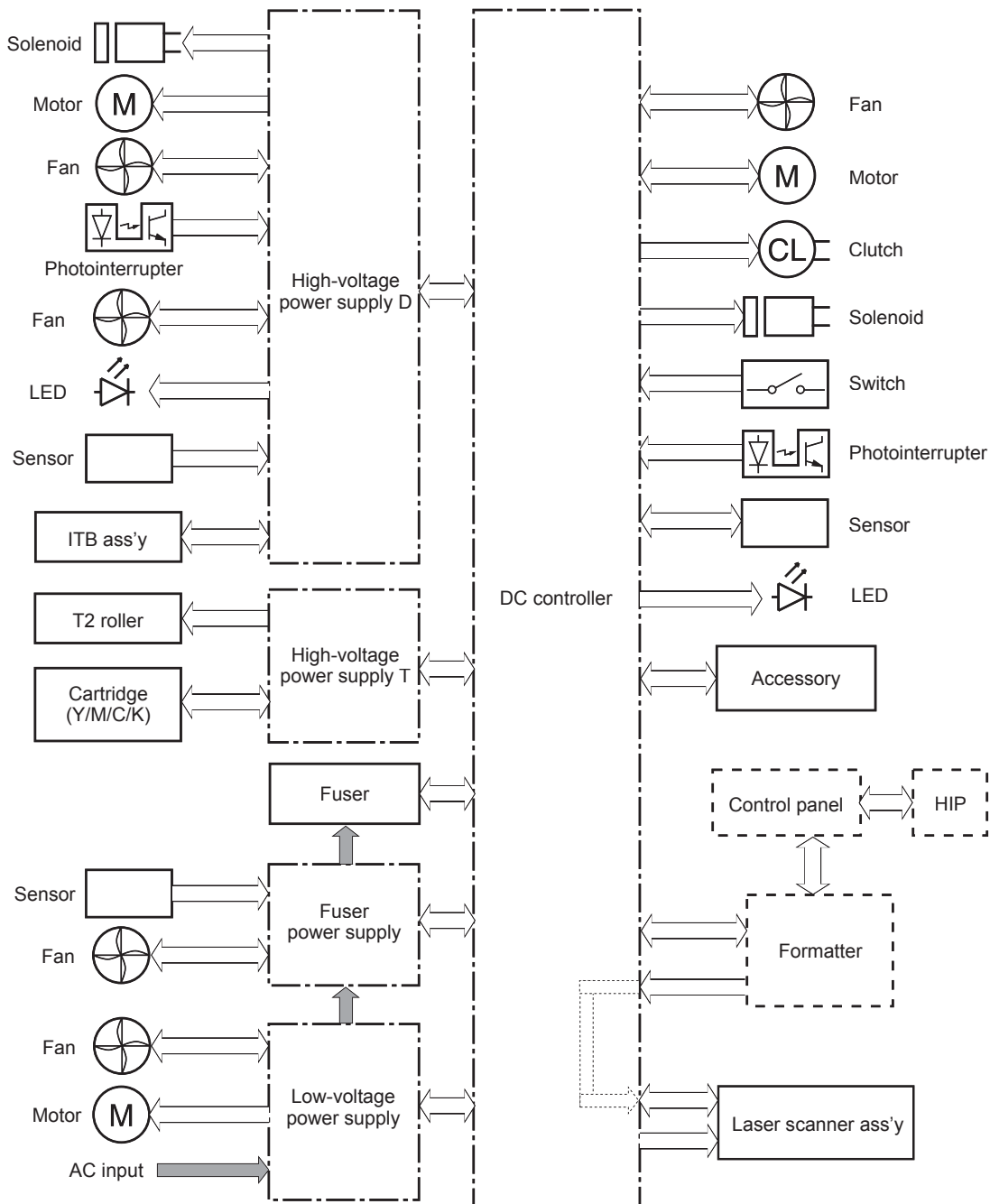
**Figure 1-3** Engine-control system



## DC controller

The DC controller controls the operation of the printer and its components. The DC controller starts the printer operation when the printer power is turned on and the power supply sends DC voltage to the DC controller. After the printer enters the standby period, the DC controller sends out various signals to operate motors, solenoids, and other printer components based on the print command and image data that the host computer sends.

**Figure 1-4** DC controller block diagram



## Motors

The printer has eight motors. The motors drive the components in the paper-feed and image-formation systems.

The DC controller monitors the fuser motor; the scanner motor, and drum motors 1, 2, and 3 to determine if a motor has failed. It notifies the formatter when it encounters the following conditions:

- Startup failure: the motor does not reach a specified speed within a specified time from when the motor starts.
- Rotational failure: the rotational speed of the motor is not in the specified range for a specified time after the motor reaches a specified speed.

**Table 1-2 Motors**

Abbreviation	Name	Purpose	Failure detection	Replacement part number
M1	Drum motor 1	Drives the yellow photosensitive drum, yellow developing roller, and magenta developing roller	Yes	Drum motor (RM2-0078-000CN)
M2	Drum motor 2	Drives the magenta photosensitive drum, cyan photosensitive drum, and cyan developing roller	Yes	Drum motor (RM2-0078-000CN)
M3	Drum motor 3	Drives the black photosensitive drum, black developing roller, and ITB	Yes	Drum motor (RM2-0078-000CN)
M4	Fuser motor	Drives the pressure roller and delivery roller; the pressurization and release of the pressure roller; and the engagement and disengagement of the primary and secondary transfer rollers	Yes	Fuser drive assembly (RM2-0009-000CN)
M5	Pickup motor	Drives the registration roller, Tray 1 pickup roller, Tray 2 pickup roller, and Tray 2 feed roller	No	Paper pickup drive assembly (RM2-0008-000CN)
M6	Developer disengagement motor	Drives the engagement and disengagement of the developing rollers	No	Stepping motor (RK2-6027-000CN)
M7	Scanner motor	Drives the scanner mirror	Yes	Laser scanner assembly (RM2-6545-000CN)
M8	Duplex reverse motor (M552dn, M553dn, M553x, and M577 only)	Drives the duplex reverse roller	No	Duplex drive assembly (RM2-0006-000CN)

## Fans

The printer has four fans for preventing the temperature from rising in the printer and for cooling the printed pages.

The DC controller determines if there is a fan failure and notifies the formatter if the fan locks for a specified time from when the fan starts.

**Table 1-3 Fans**

Abbreviation	Name	Cooling area	Type	Speed	Replacement part number
FM1	Power supply fan	Around the low-voltage power supply unit	Intake	Full/half	Fan (RK2-2416-000CN)
FM2	Cartridge fan	Around the toner cartridges	Intake	Full	Fan (RK2-6124-000CN)
FM3	Delivery fan	Around the output tray Around the fuser area	Exhaust	Full/half	Fan (RK2-2728-000CN)
FM4	Fuser fan	Around the fuser	Exhaust	Full/half	Fan (RK2-2418-000CN)

## Solenoids

**Table 1-4 Solenoids**

Abbreviation	Component name
SL1	Primary transfer roller disengagement solenoid
SL2	Tray 1 pickup solenoid
SL3	Duplex reverse solenoid (M552dn, M553dn, M553x, and M577 only)

## Clutches

**Table 1-5 Clutches**

Abbreviation	Component name
CL1	Tray 2 pickup clutch
CL2	Duplex re-pickup clutch (M552dn, M553dn, M553x, and M577 only)

## Switches

**Table 1-6 Switches**

Abbreviation	Component name	Replacement part number
SW1	24V interlock switch	Interlock switch cable assembly (RM2-7206-000CN; part not available)
SW3	Right door switch	Switch button (WC2-5806-000CN; part not available)

**Table 1-6 Switches (continued)**

<b>Abbreviation</b>	<b>Component name</b>	<b>Replacement part number</b>
SW4	Power supply switch	Lever, switch (RC4-0131-000CN; part not available)
SW5	Tray 2 detection switch	Switch button (WC2-5806-000CN; part not available)
SW1001	Test print switch	Part not available

## Sensors

**Table 1-7 Sensors**

Abbreviation	Component name	Replacement part
PS1	Loop sensor	Part not available
SE1	Media sensor	Registration assembly <ul style="list-style-type: none"> <li>• RM2-0093-000CN (M553n)</li> <li>• RM2-0018-000CN (M552dn, M553dn, M553x, M577)</li> </ul>
SR1	Drum home position sensor 1	Part not available
SR2	Drum home position sensor 2	Part not available
SR3	Drum home position sensor 3	Part not available
SR4	Developing home position sensor	Part not available
SR5	Primary transfer roller disengagement sensor	Estrangement detect PCA assembly (RM2-7157-000CN)
SR6	Top-of-page (TOP) sensor (M552dn, M553dn, M553x and M577 only)	Part not available
SR6N	Top-of-page (TOP) sensor (M553n only)	Part not available
SR8	Tray 1 media-out sensor	Part not available
SR9	Fuser delivery sensor	Part not available
SR10	Output bin media-full sensor	Part not available
SR11	Fuser pressure release sensor	Photointerrupter (WG8-5953-000CN; part not available)
SR12	Tray 2 media-out sensor	Part not available
SR13	Media width sensor, front (M552dn, M553dn, M553x and M577 only)	Part not available
SR13N	Media width sensor, front (M553n only)	Part not available
SR14	Media width sensor, rear (M552dn, M553dn, M553x and M577 only)	Part not available
SR14N	Media width sensor, rear (M553n only)	Part not available
	Registration density sensor	Density detect assembly (RM2-7160-000CN)
	Environment sensor (temperature and humidity)	Environment sensor PCA (RM2-7154-000CN)
	Yellow toner-level sensor	Cartridge lift-up rail assembly (RM2-0025-000CN; part not available)
	Magenta toner-level sensor	Cartridge lift-up rail assembly (RM2-0025-000CN; part not available)
	Cyan toner-level sensor	Cartridge lift-up rail assembly (RM2-0025-000CN; part not available)
	Black toner-level sensor	Cartridge lift-up rail assembly (RM2-0025-000CN; part not available)
	Residual toner collection unit full sensor	Waste toner detect PCA (RM2-7130-000CN)



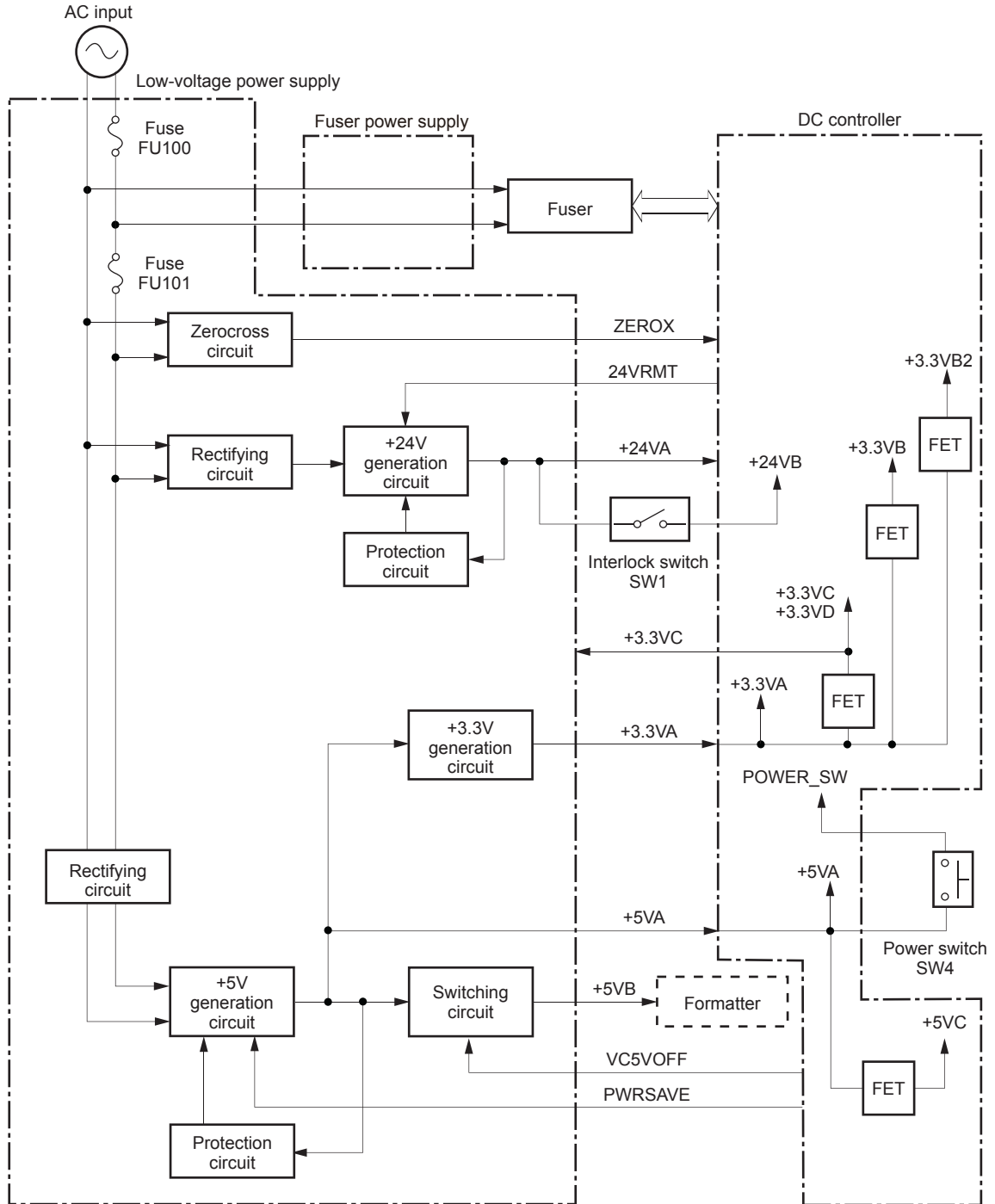
**Table 1-7 Sensors (continued)**

<b>Abbreviation</b>	<b>Component name</b>	<b>Replacement part</b>
	Pre-exposure LED 1-3	Pre-exposure PCA (RM2-7168-000CN)
	Pre-exposure LED 4	Pre-exposure PCA (RM2-7169-000CN)

## Low-voltage power supply

The low-voltage power-supply (LVPS) circuit converts the AC power from the wall receptacle into the DC voltage that the printer components use.

Figure 1-5 Low-voltage power-supply circuit



## Low-voltage power supply voltages description

The low-voltage power supply converts the AC power into three DC voltages, which it then subdivides, as described in the following table.

**Table 1-8** Converted DC voltages

Main DC voltage	Sub-voltage	Behavior
+24 V	+24 VA	Constantly supplied
		Stopped during active OFF or inactive OFF
	+24 VB	Interrupted when the right door is open (SW1)
	+24 VC	Interrupted when the right door is open (SW1)
+5 V	+5 VA	Constantly supplied
	+5 VB	Constantly supplied
	+5 VC	Constantly supplied
		Stopped during active OFF or inactive OFF
+3.3 V	+3.3 VA	Constantly supplied
	+3.3 VB	Constantly supplied
		Stopped during inactive OFF
	+3.3 VC	Constantly supplied
	Stopped during active OFF or inactive OFF	
	+3.3 VD	Constantly supplied
		Stopped during active OFF or inactive OFF

## Over-current/over-voltage protection

The low-voltage power supply automatically stops supplying the DC voltage to the printer components whenever it detects excessive current or abnormal voltage. The low-voltage power supply has a protective circuit against over-current and over-voltage to prevent failures in the power supply circuit.

**CAUTION:** If DC voltage is not being supplied from the low-voltage power supply, the protective function might be running. In this case, turn the power switch off and unplug the power cord.

Do not turn the power switch on until the root cause is found and corrected.

If the protective function is active, the DC controller notifies the formatter of a low-voltage power supply failure. In addition, the low-voltage power supply has two fuses to protect against over-current. If over-current flows into the AC line, the fuse stops the AC power.

## Sleep mode operation

Sleep mode conserves energy by stopping the power to several components when the printer is idle. If the DC controller detects voltage that is too high when the printer is in Sleep mode, it determines that the low-voltage power supply has failed, and it notifies the formatter.

## Low-voltage power supply failure detection

The DC controller determines a low-voltage power supply failure and notifies the formatter when the low-voltage power supply does not supply +24 V.

## Low-voltage power supply functions

The printer has the following low-voltage power supply functions.

**Table 1-9 Low-voltage power supply functions**

Function	Supported feature
Sleep mode	Yes
Power supply voltage detection	Yes
Automatic power OFF	Yes
Automatic power ON/OFF	Yes
Active OFF	Yes
Inactive OFF	Yes
Network mode	No
Power switch illumination	Yes
Low-voltage power supply failure detection	Yes
Power save mode	No

## High-voltage power supply

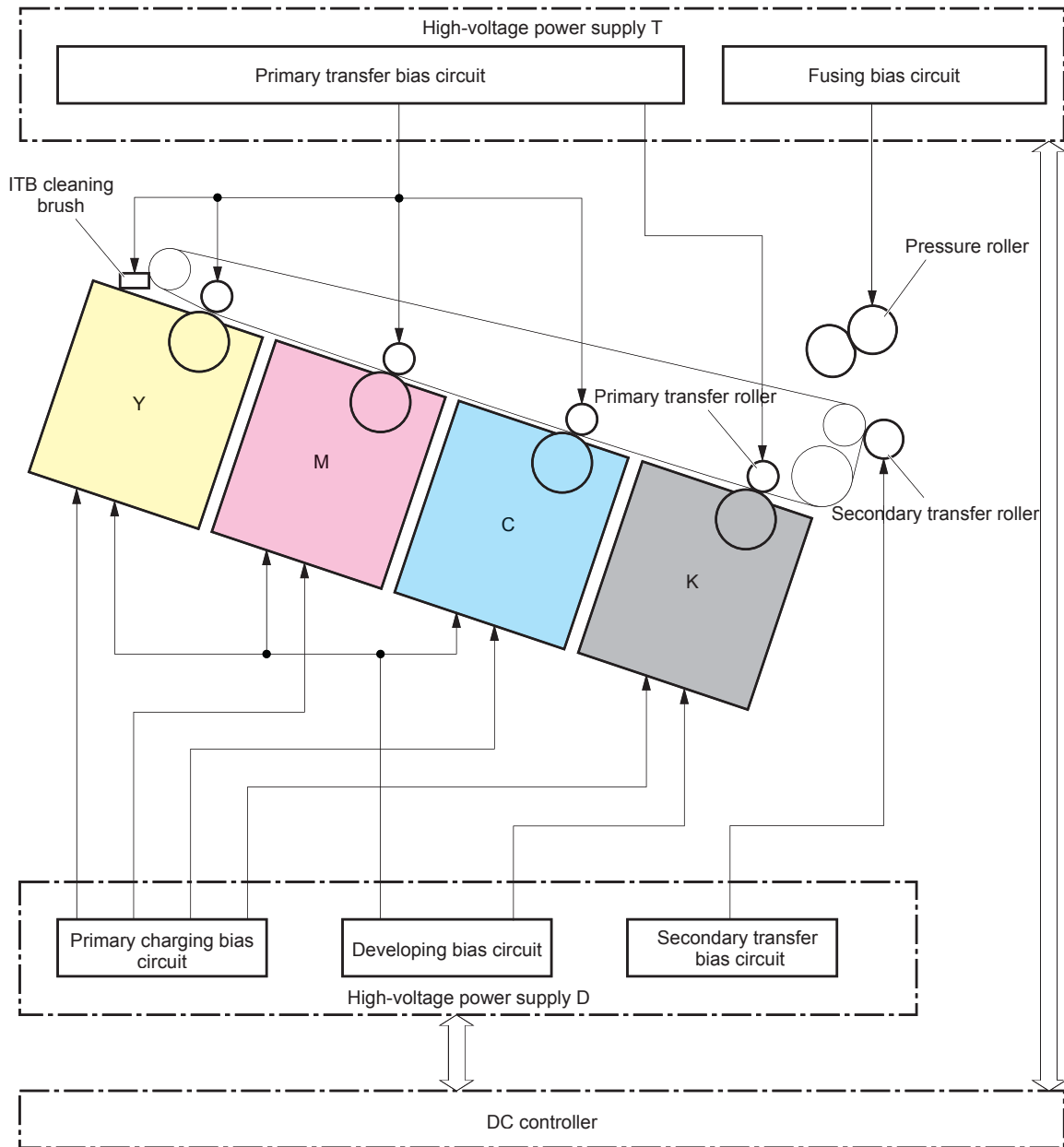
The DC controller controls the high-voltage power supply (HVPS) to generate biases. The high-voltage power supply delivers the high-voltage biases to the following components used to transfer toner during the image-formation process:

- Primary charging roller (in the toner cartridges)
- Developing roller (in the toner cartridges)
- Primary transfer roller
- Secondary transfer roller
- Pressure roller
- ITB cleaning brush

## High-voltage power supply circuits

The high-voltage power supply contains the following separate circuits.

**Figure 1-6** High-voltage power supply circuits



**Table 1-10** High-voltage power supply circuits

Circuit	Description
Primary-charging-bias generation	The primary charging bias negatively charges the surface of the photosensitive drum to prepare for image formation.

**Table 1-10 High-voltage power supply circuits (continued)**

<b>Circuit</b>	<b>Description</b>
Developing-bias generation	The developing bias adheres toner to an electrostatic latent image formed on the photosensitive drums.
Primary-transfer-bias generation	The primary transfer bias transfers the toner from each photosensitive drum onto the ITB.
Secondary-transfer-bias generation	The positive secondary transfer bias transfers the toner image from the ITB onto the paper. The negative bias transfers residual toner on the secondary transfer roller back to the ITB. The residual toner on the ITB is deposited in the toner collection unit.

## Fuser bias

The printer uses instant-on fusing. The fuser bias is DC positive for improved print quality. The fuser bias circuit is located in the high-voltage power supply, HVPS (T).

## Fuser control

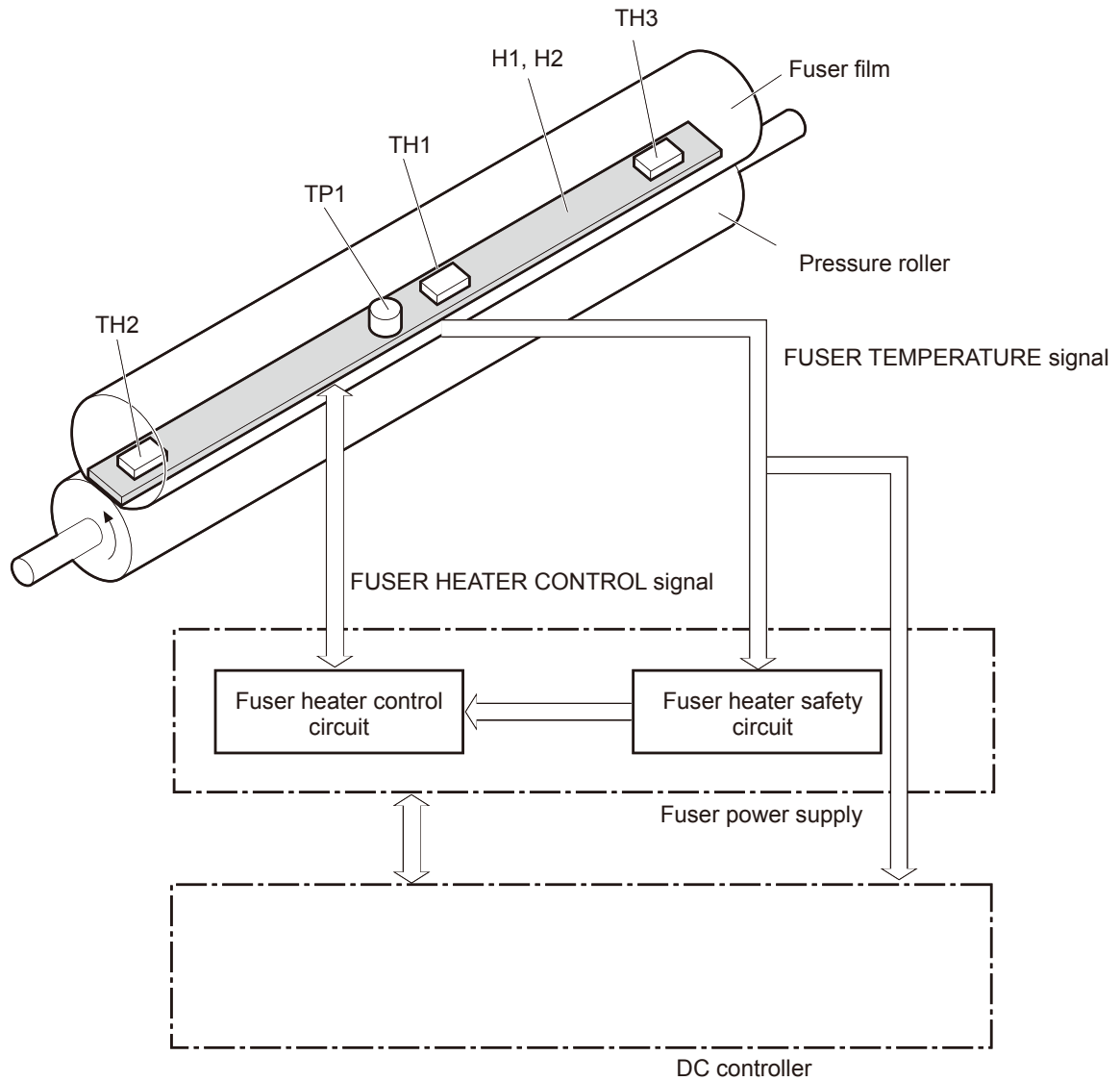
The DC controller and components in the fuser perform the following functions related to fuser operation:

- Control fuser temperature
- Detect fuser failures
- Prevent excessive temperature rise
- Detect remaining life in the fuser
- Determine if the correct fuser is installed

## Fuser circuits

The fuser heater control circuit and the fuser heater safety circuit control the fuser temperature according to commands from the DC controller. The fuser consists of the following major components:

**Figure 1-7** Fuser components



**Table 1-11** Fuser components

Type of component	Abbreviation	Name	Function
Heaters	H1	Fuser main heater	Heats the center of the fuser sleeve
	H2	Fuser sub-heater	Heats the edge of the fuser sleeve
Thermistors (Contact type)	TH1	Main thermistor	Detects the center temperature of the fuser heater
	TH2	Sub-thermistor 1	Detects the temperature at one end of the fuser heater

**Table 1-11 Fuser components (continued)**

Type of component	Abbreviation	Name	Function
	TH3	Sub-thermistor 2	Detects the temperature at one end of the fuser heater
Thermoswitch (Non-contact type)	TP1	Thermoswitch	Prevents an abnormal temperature rise in the fuser heater

## Fuser control functions

The printer has the following fuser control functions.

**Table 1-12 Low-voltage power supply functions**

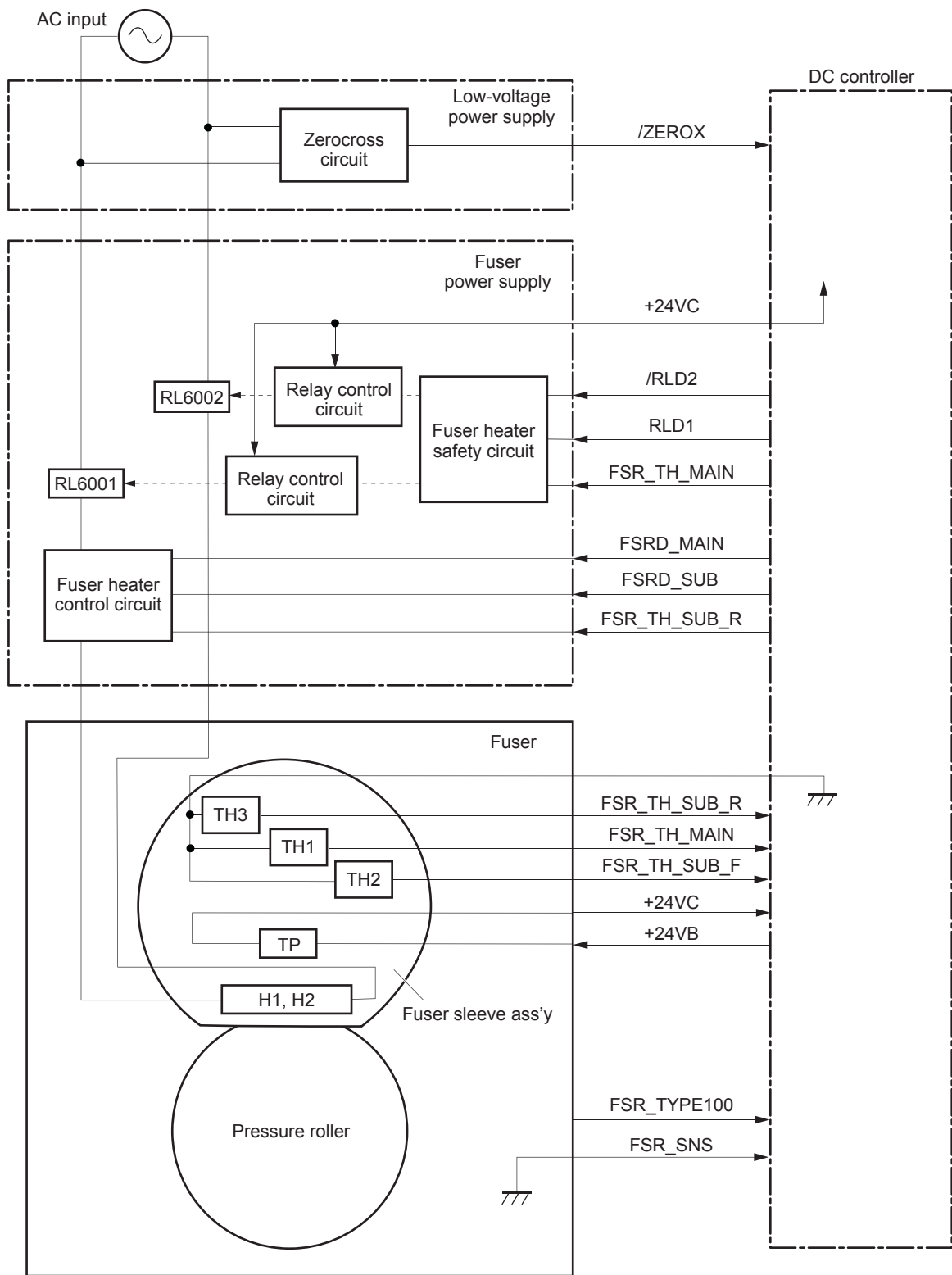
Failure detection function	Supported feature
Fuser temperature control	Yes
Fuser failure detection	Yes
Frequency detection circuit failure detection	Yes
Fuser pressure release mechanism failure detection	Yes
Fuser type discrepancy detection	Yes
Fuser type identification detection	Yes
Fuser presence detection	Yes
Fuser life detection	Yes
Relay failure detection	No
Pressure roller cleaning	Yes

## Fuser temperature control

The temperatures of the two rollers in the fuser fluctuate according to the stage of the printing process. The DC controller sends commands to the fuser-control circuit to adjust temperatures.



**Figure 1-8** Fuser temperature-control circuit



## Fuser heater protection

Fuser heater protection is a feature that detects excessive temperatures in the fuser and interrupts the power supply to the fuser heater.

The following three protective components prevent the fuser heater from excessive rising temperature:

- **DC controller:** When a thermistor or sub-thermistor detects a temperature above a certain threshold, the DC controller interrupts power to the specific heater.
- **Fuser-heater safety circuit:** The fuser heater safety circuit monitors the detected temperature of the sub-thermistors.
- **Thermoswitch:** If the temperature in the heaters is abnormally high, and the temperature in the thermoswitch exceeds a specified value, the contact to the thermoswitch breaks.

## Fuser unit life detection

The fuser life is tracked by fuser rotations, and not by the number of pages printed. This is a more accurate tracking method since the fuser rotates for every print job. There will be variations in fuser life depending on customer usage. Customers who are running one- and two-page intermittent jobs with long pauses between each job might reach the fuser low message sooner due to the fuser rotating more times per page than it would for larger print jobs.

## Fuser identification

The printer detects the type and presence of the fuser. The DC controller notifies the formatter when it fails to detect the type or presence of the fuser.



---

**NOTE:** This printer detects if a fuser of the correct voltage for the printer is installed. If a fuser of the incorrect voltage is installed, the DC controller notifies the formatter and an error message is displayed on the control panel.

---

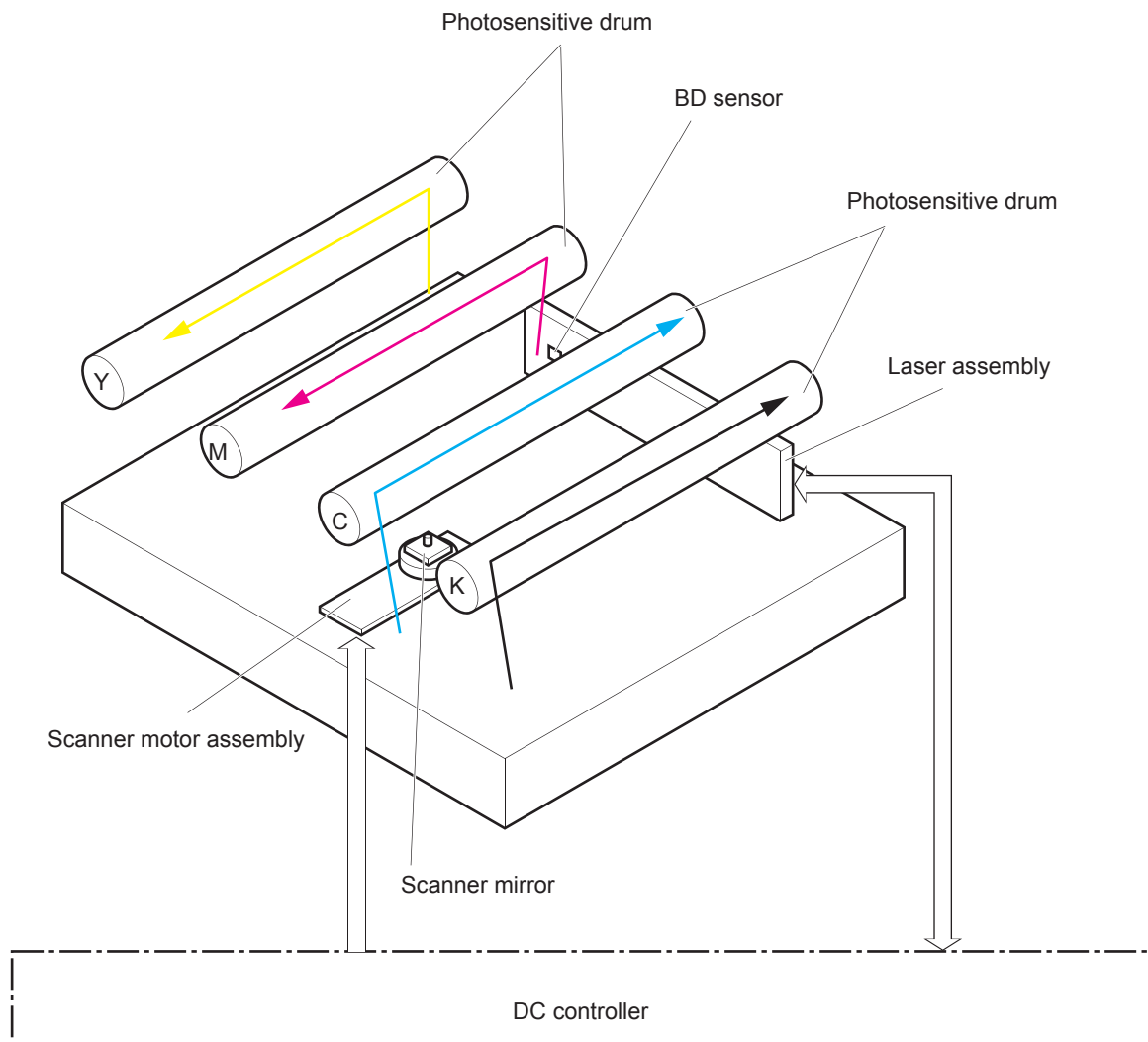
## Engine laser/scanner system

The laser/scanner system forms the latent electrostatic image on the photosensitive drums inside each of the toner cartridges.

The DC controller receives instructions from the formatter regarding the image of the page to be printed. The DC controller signals the lasers to emit light, and the laser beams pass through lenses and onto the scanner mirror, which rotates at a constant speed. The mirror reflects the beam onto the photosensitive drum in the pattern required for the image, exposing the surface of the drum so it can receive toner.

The main components of the laser/scanner system are the laser assembly and the scanner motor assembly, which are controlled by signals sent from the DC controller.

**Figure 1-9** Laser/scanner system



## Laser/scanner failure detection

The DC controller determines an optical unit failure and notifies the formatter of the error status when any of the following occurs:

- **Laser/scanner motor startup failure:** The scanner motor does not reach a specified rotation frequency within a specified period of time from when the laser/scanner starts up.
- **Laser/scanner motor abnormal rotation:** The laser/scanner motor does not reach a specified rotational frequency within a specified period of time during a print operation.

## Safety

The laser/scanner assembly has a mechanical laser shutter. For the safety of users and service technicians, the laser shutter interrupts the optical path of the laser/scanner assembly when the top door is opened (SW101).

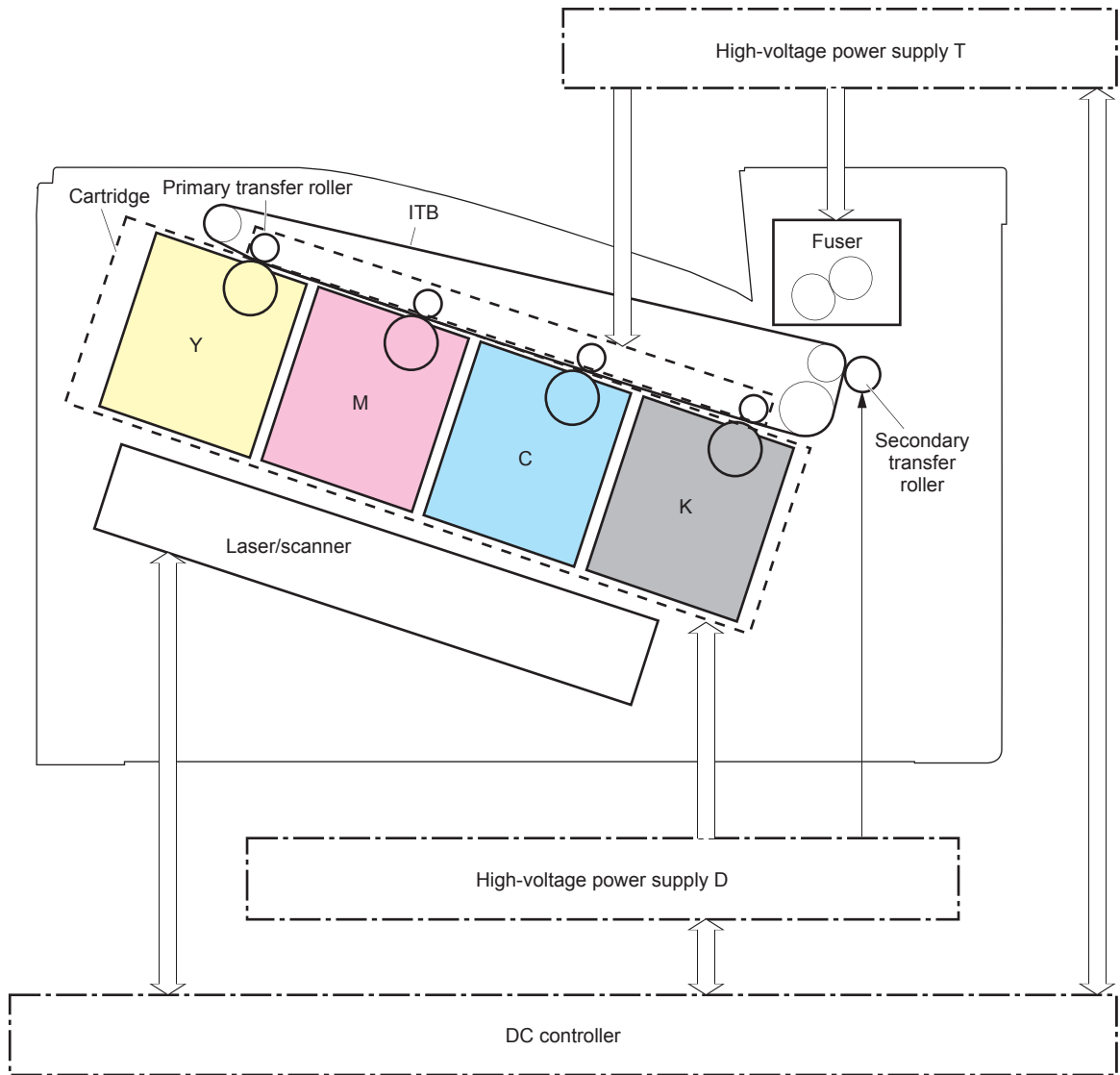
## Image-formation process

The image-formation system creates the printed image on the paper. The system consists of the following components:

- Toner cartridges
- Intermediate transfer belt (ITB)
- Primary transfer roller
- Secondary transfer roller
- Fuser
- Laser/scanner
- High-voltage power supply D
- High-voltage power supply T

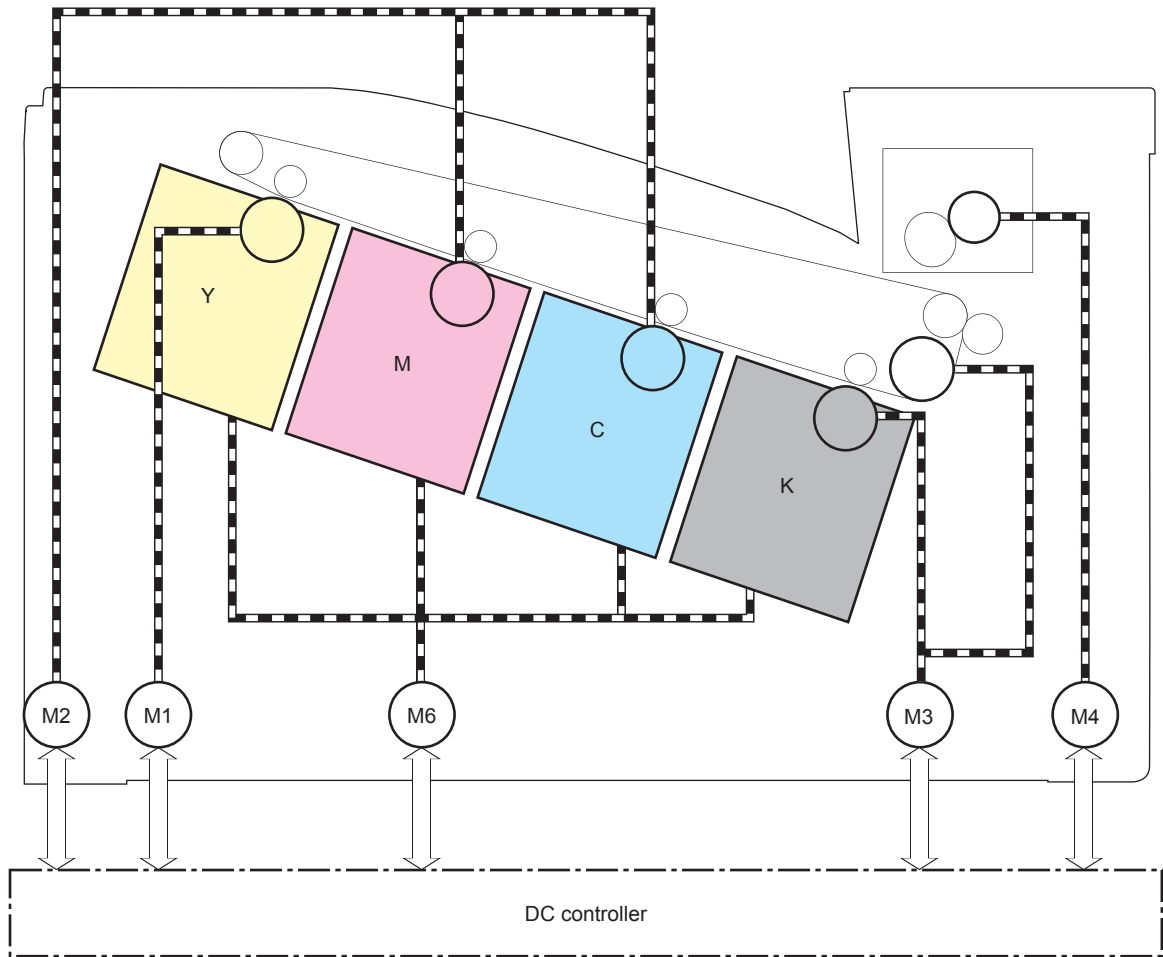
The DC Controller controls the internal components of the image formation system (according to commands received from the formatter) to form the toner image on the photosensitive drum surface. The toner image is then transferred to the print media and fused.

**Figure 1-10** Image-formation system



The following figure shows the motors for the image-formation system.

**Figure 1-11** Motors

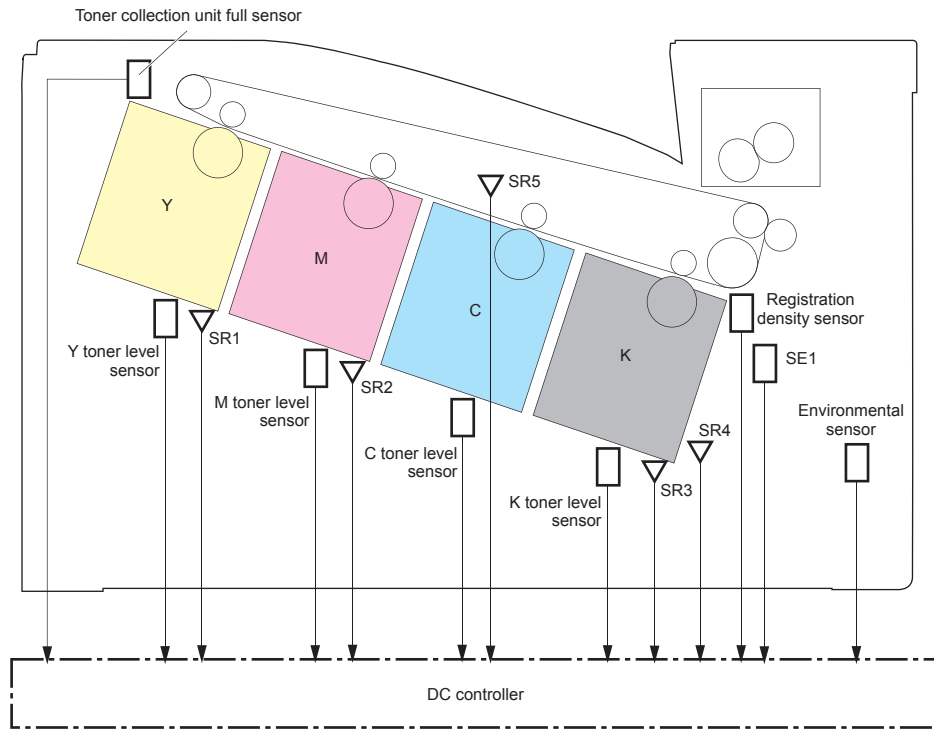


**Table 1-13** Motors

Abbreviation	Component	Replacement part number
M1	Drum motor 1	Drum motor assembly (RM2-0078-000CN)
M2	Drum motor 2	Drum motor assembly (RM2-0078-000CN)
M3	Drum motor 3	Drum motor assembly (RM2-0078-000CN)
M4	Fuser motor	Fuser motor assembly (RM2-0077-000CN)
M6	Developer disengagement motor	Stepping motor (RK2-6027-000CN)

The following figure shows the sensors for the image-formation system.

**Figure 1-12** Sensors



**Table 1-14** Sensors

Abbreviation	Component	Replacement part number
SR1	Drum home position sensor 1	Main motor drive assembly (B5L25-67902)
SR2	Drum home position sensor 2	Main motor drive assembly (B5L25-67902)
SR3	Drum home position sensor 3	Main motor drive assembly (B5L25-67902)
SR4	Developing home position sensor	Main motor drive assembly (B5L25-67902)
SR5	Primary transfer roller disengagement sensor	Estrangement detect PCA assembly (RM2-7157-000CN)
SE1	Media sensor	Registration assembly <ul style="list-style-type: none"> <li>• RM2-0093-000CN (M553n)</li> <li>• RM2-0018-000CN (M552dn, M553dn, M553x, M577)</li> </ul>
	Yellow toner-level sensor	Part not available
	Magenta toner-level sensor	Part not available
	Cyan toner-level sensor	Part not available
	Black toner-level sensor	Part not available
	Registration density sensor	Density detect assembly (RM2-7160-000CN)
	Environmental sensor	Environmental sensor PCA assembly (RM2-7154-000CN)
	Toner collection unit full sensor	Waste toner detect PCA assembly (RM2-7130-000CN)

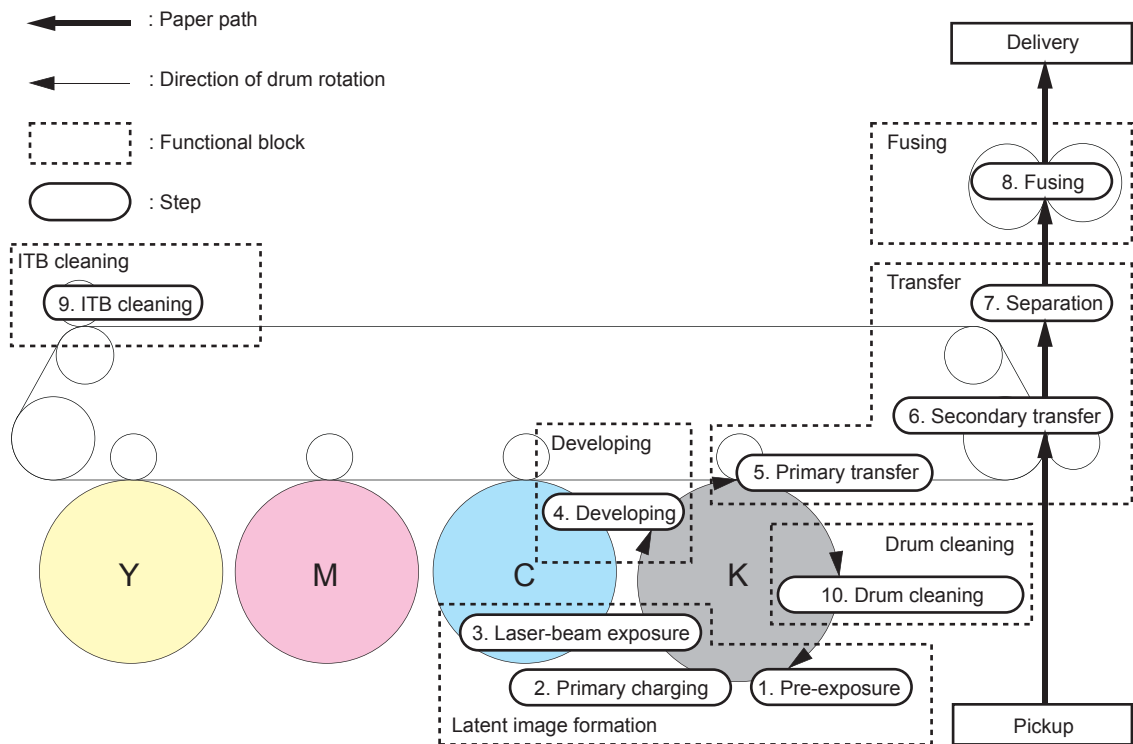


**Table 1-14 Sensors (continued)**

Abbreviation	Component	Replacement part number
	Pre-exposure LEDs 1, 2, and 3	Pre-exposure PCA assembly (RM2-7168-000CN)
	Pre-exposure LED 4	Pre-exposure PCA assembly (RM2-7169-000CN)

The image-formation process consists of ten steps divided into six functional blocks.

**Figure 1-13 Image-formation process**



**Table 1-15 Image formation process**

Functional block	Steps	Description
Latent image formation	1. Pre-exposure 2. Primary charging 3. Laser-beam exposure	An invisible latent image forms on the surface of the photosensitive drums.
Development	4. Development	Toner adheres to the electrostatic latent image on the photosensitive drums.
Transfer	5. Primary transfer 6. Secondary transfer 7. Separation	The toner image transfers to the ITB and then to the paper.

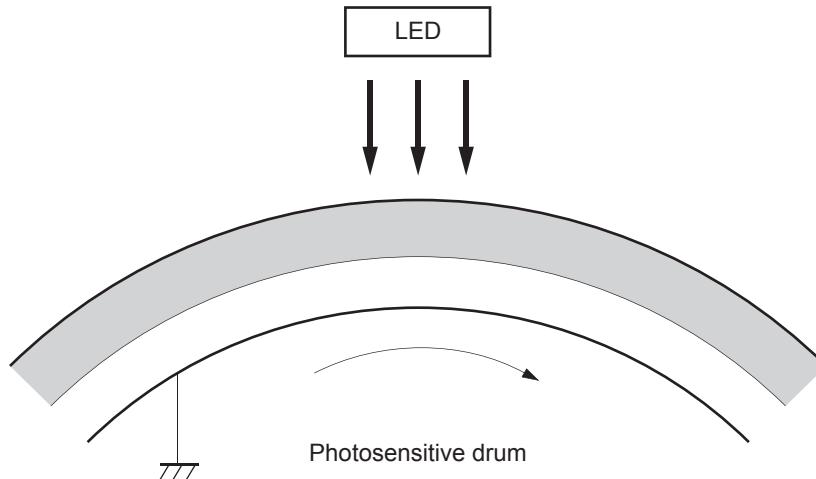
**Table 1-15 Image formation process (continued)**

<b>Functional block</b>	<b>Steps</b>	<b>Description</b>
Fusing	8. Fusing	The toner fuses to the paper to make a permanent image.
ITB cleaning	9. ITB cleaning	Residual toner is removed from the ITB.
Drum cleaning	10. Drum cleaning	Residual toner is removed from the photosensitive drums.

## Step 1: Pre-exposure

Light from the pre-exposure LED strikes the surface of the photosensitive drum to remove any residual electrical charges from the drum surface.

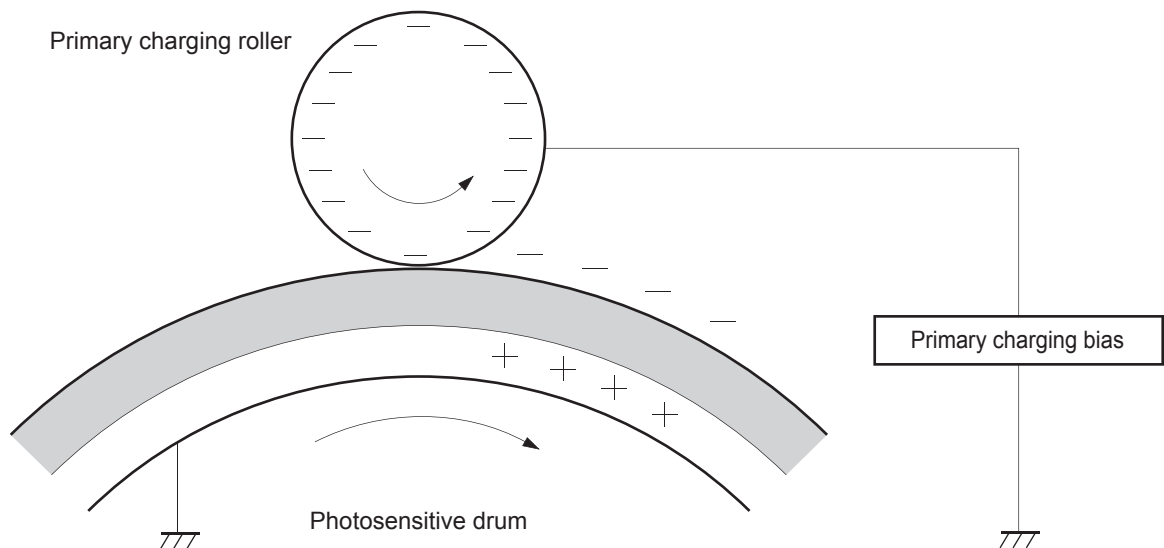
**Figure 1-14** Pre-exposure



## Step 2: Primary charging

The primary-charging roller contacts the photosensitive drum and charges the drum with negative potential.

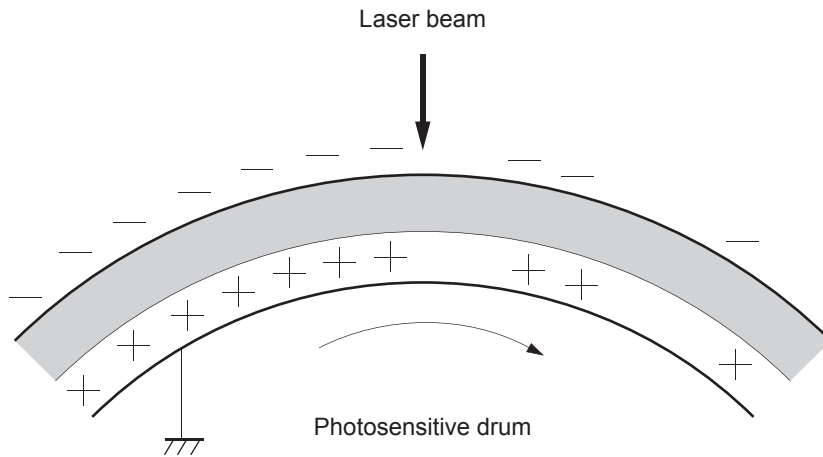
**Figure 1-15** Primary charging



### Step 3: Laser-beam exposure

The laser beam strikes the surface of the photosensitive drum in the areas where the image will form. The negative charge neutralizes in those areas, which are then ready to accept toner.

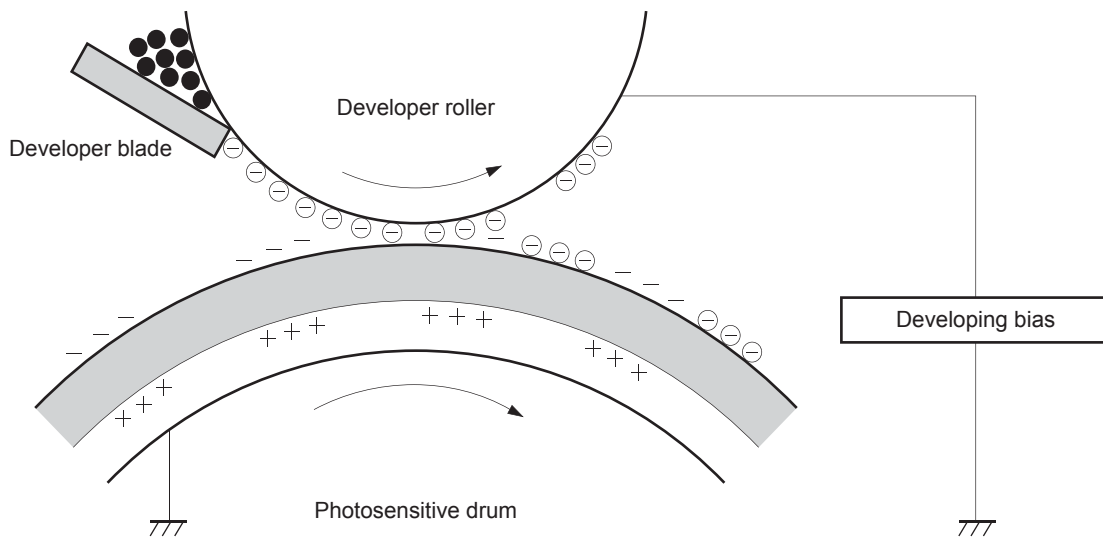
Figure 1-16 Laser-beam exposure



### Step 4: Development

Toner acquires a negative charge as the developing cylinder contacts the developing blade. Because the negatively-charged surface of the photosensitive drums have been neutralized where they have been struck by the laser beam, the toner adheres to those areas on the drums. The latent image becomes visible on the surface of each drum.

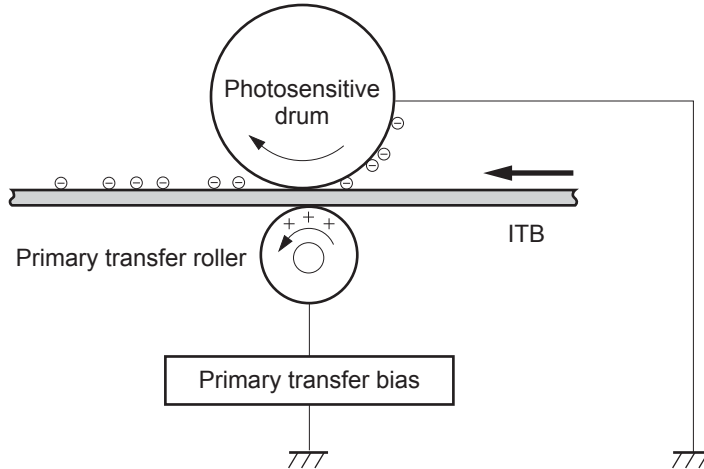
Figure 1-17 Development



## Step 5: Primary transfer

The positively-charged primary-transfer rollers contact the ITB, giving the ITB a positive charge. The ITB attracts the negatively-charged toner from the surface of each photosensitive drum, and the complete toner image transfers onto the ITB.

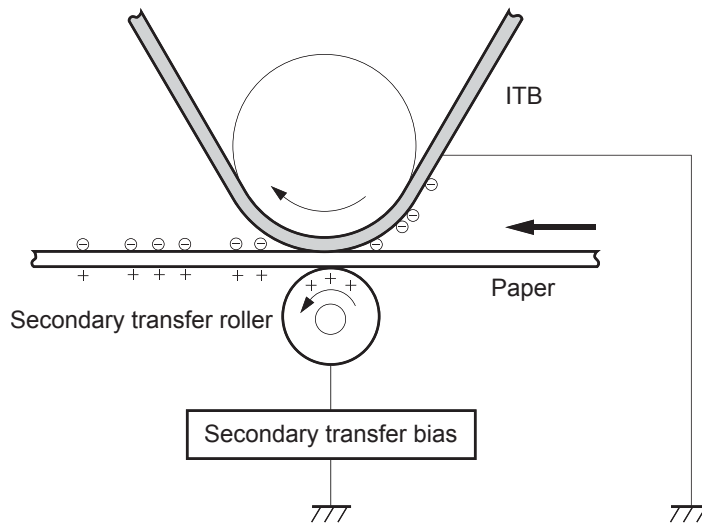
**Figure 1-18** Primary transfer



## Step 6: Secondary transfer

The paper acquires a positive charge from the secondary-transfer roller, and attracts the negatively-charged toner from the surface of the ITB. The complete toner image transfers onto the paper.

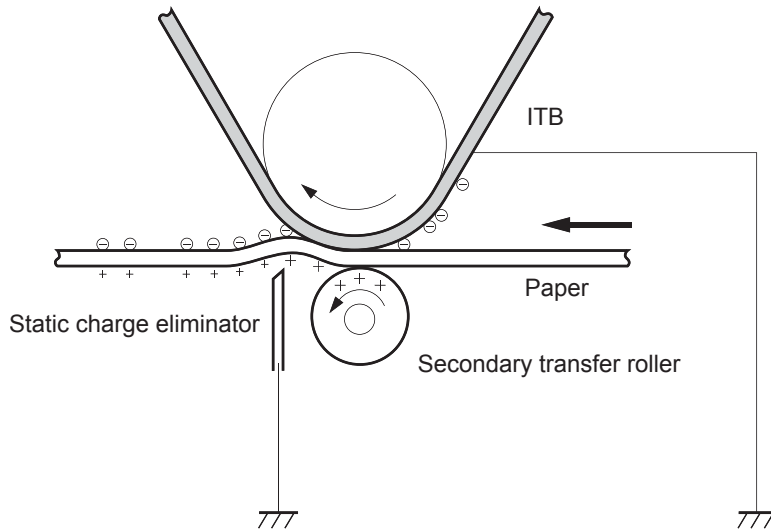
**Figure 1-19** Secondary transfer



## Step 7: Separation

The stiffness of the paper causes it to separate from the ITB as the ITB bends. The static-charge eliminator removes excess charge from the paper to make sure that the toner fuses correctly.

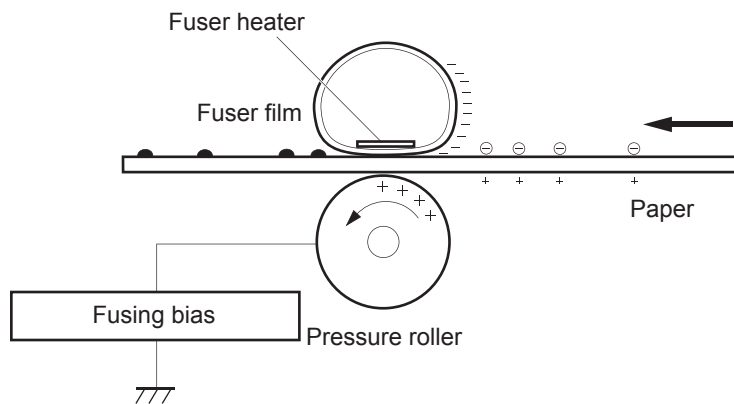
Figure 1-20 Separation



## Step 8: Fusing

To create the permanent image, the paper passes through heated, pressurized rollers to melt the toner onto the page. Fusing bias is added to the pressure roller to improve the print quality.

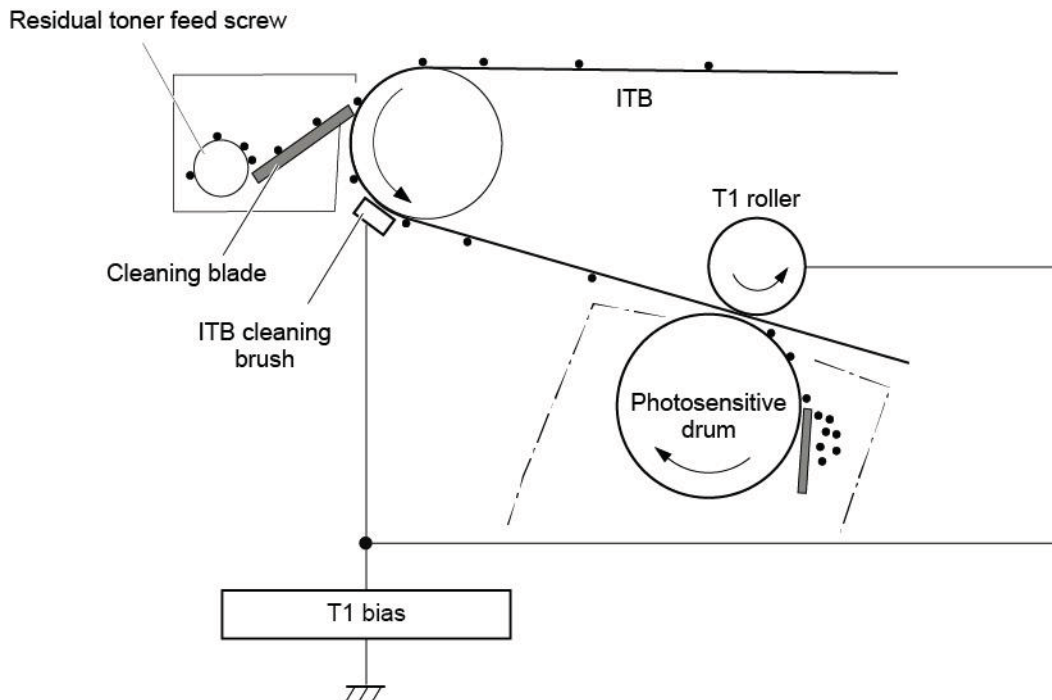
Figure 1-21 Fusing



## Step 9: ITB cleaning

The cleaning blade scrapes the residual toner off the surface of the ITB. The residual toner feed screw deposits residual toner in the toner collection unit. The residual toner which cannot be removed by the cleaning blade is charged by the ITB cleaning brush, and then transferred from the ITB surface to the photosensitive drum by the primary transfer (T1) roller.

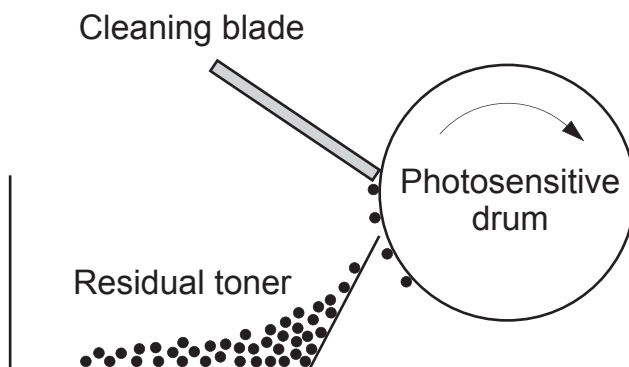
**Figure 1-22** ITB cleaning



## Step 10: Drum cleaning

The cleaning blade scrapes the residual toner off the surface of the photosensitive drum, and toner is deposited in the toner collection portion of the cartridge.

**Figure 1-23** Drum cleaning



## Toner cartridges

The printer has four toner cartridges, one for each color: cyan, magenta, yellow, and black.

### Design

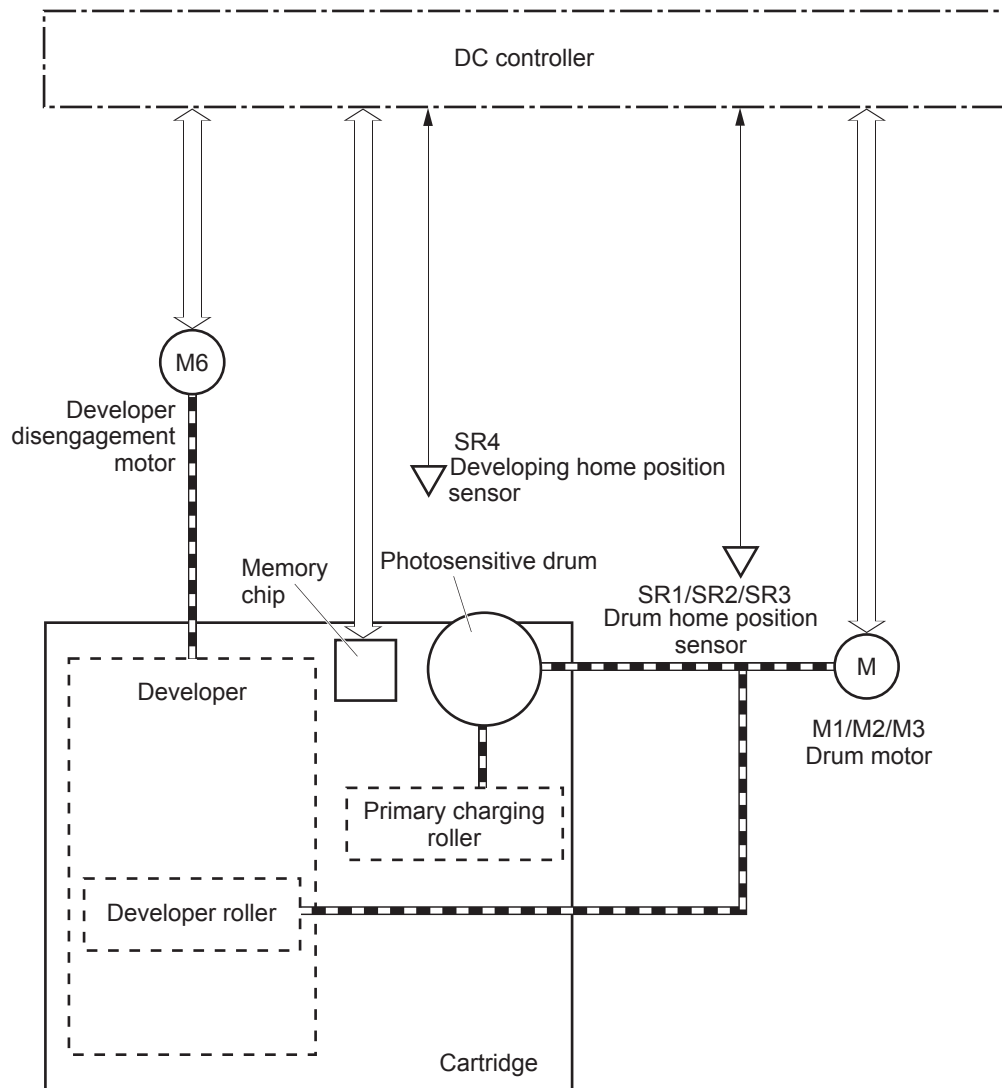
Each toner cartridge is filled with toner and consists of the following components:

- Photosensitive drum
- Developer roller
- Primary-charging roller
- Memory chip

The DC controller rotates the drum motor to drive the photosensitive drum, developer roller, and the primary-charging roller.



Figure 1-24 Toner cartridge system



## Memory chip

The memory chip is non-volatile memory that stores information about the usage of the toner cartridge and helps protect the customer from counterfeit cartridges. This chip is also used to detect the presence of a cartridge within the printer or when a cartridge is installed in the wrong slot. The printer reads and writes the data in the memory chip.

## Toner seal

The toner cartridge seal is opened automatically when the toner cartridge is installed into the printer.

## Toner level and cartridge life detection

**Toner level detection:** The DC controller detects the remaining toner in the cartridge by the optical detection method and then notifies the formatter of the remaining toner level.

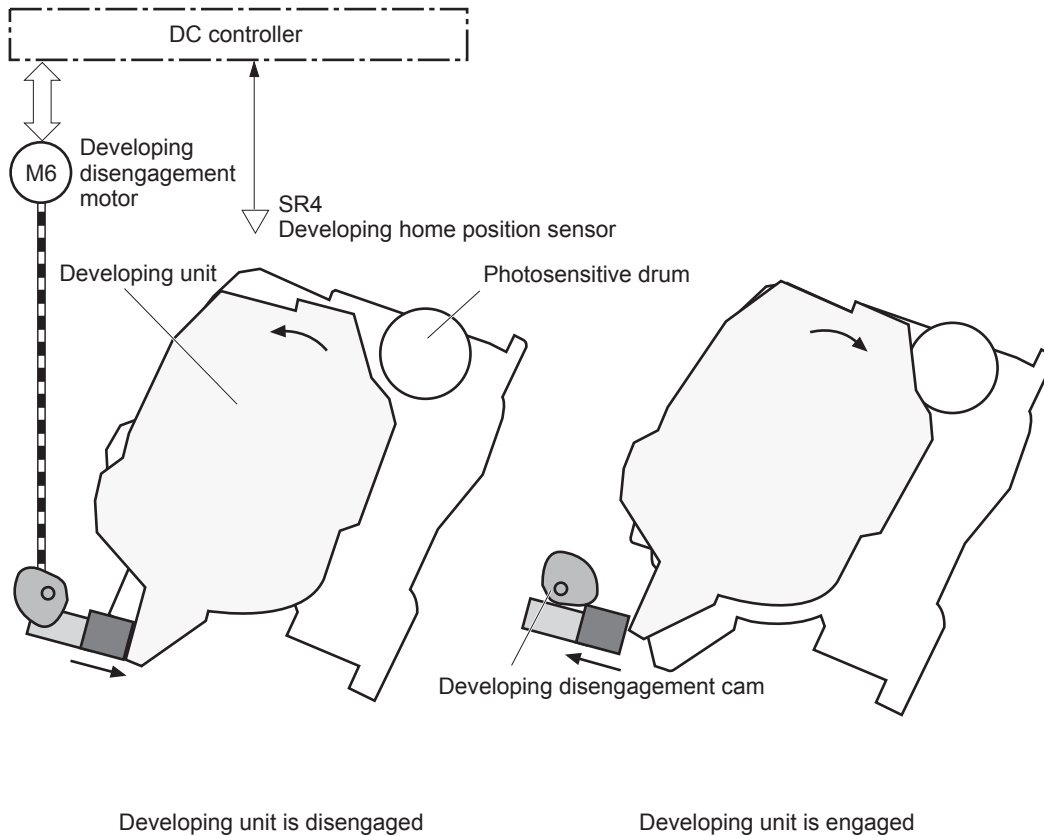
**Cartridge life detection:** Cartridge life detection is measured in two ways.

1. Toner level:
  - For the first 75% of cartridge life, toner level is measure through pixel counting by the DC controller. Once the level reaches 25%, the toner level sensor utilizes electrical properties to determine the amount of toner remaining.
2. Rotations of internal components (OPC and developer roller):
  - The DC controller monitors these two life parameters and reports them to the formatter as percent life remaining. End of cartridge life is determined by the lower value of the two.

## Developing unit engagement and disengagement control

The printer can print in full-color mode or in black-only mode. To print in black-only mode, the printer disengages the developing rollers in the cyan, magenta, and yellow toner cartridges, which maximizes the life of the cartridges.

**Figure 1-25** Developer roller engagement and disengagement control



The developer roller engagement and disengagement control operates as follows: When the printer is turned on and when each print job is completed, all four of the developing units are disengaged from the photosensitive drums.

- The drive of the developer disengagement motor rotates the developer disengagement cam.
- As the cam rotates, the developing unit engages with or separates from the photosensitive drum.

When the print mode is full color, the developing units engage with the drums. When the print mode is black-only, only the black developing unit engages with the drum.

The DC controller determines a developer disengagement motor failure and notifies the formatter when it does not detect a specified signal from the developer disengagement sensor during the developing unit engagement and disengagement operation.

## Cartridge Authentication Technology (CAT)

CAT supports two features for managing toner cartridges.

- The authentication feature allows customers to specify the use of only genuine HP toner cartridges in the printer.
- The anti-theft feature enables locking a cartridge to a specific printer or fleet of printers.

## Authentication

The genuine HP authentication feature allows a customer to specify that only genuine HP supplies can be used in a printer. If a non-HP or used supply is installed, the printer will not print. This feature is disabled by default, and can be enabled or disabled from the control panel or the Embedded Web Server (EWS).

If a genuine HP toner cartridge from another printer is moved to a printer with this feature enabled, the toner cartridge will authenticate and print, unless the toner cartridge has passed the low state. If the toner cartridge has passed the low state, an **Unauthorized Cartridge** message displays on the control panel.

If a non-HP toner cartridge is used in a printer with this feature enabled, the message **Unauthorized Cartridge** appears on the control-panel display.



---

**NOTE:** If a customer suspects they have a counterfeit cartridge, they should report it by going to [www.hp.com/go/anticounterfeit](http://www.hp.com/go/anticounterfeit) and selecting **Report now**.

---

## Anti-theft

The toner cartridge anti-theft feature allows a customer to configure the printer to automatically lock genuine HP toner cartridges to a specific printer or fleet of printers when they are installed. A locked toner cartridge will only work in the specified printer or fleet of printers. This feature prevents toner cartridges from being stolen and used in another printer, or from being moved from an authorized printer to an unauthorized printer. This feature is disabled by default, and can be enabled or disabled from the control panel, the Embedded Web Server (EWS), or Web Jetadmin.

When the anti-theft feature is enabled, the toner cartridge in a printer will only work in the specified printer or fleet of printers. If a locked toner cartridge is moved to another printer, the cartridge will not print and the message **Protected Cartridge** appears on the control-panel display.



---

**NOTE:** When a toner cartridge is locked to a specific printer or fleet of printers, it cannot be unlocked. This is a permanent operation.

---

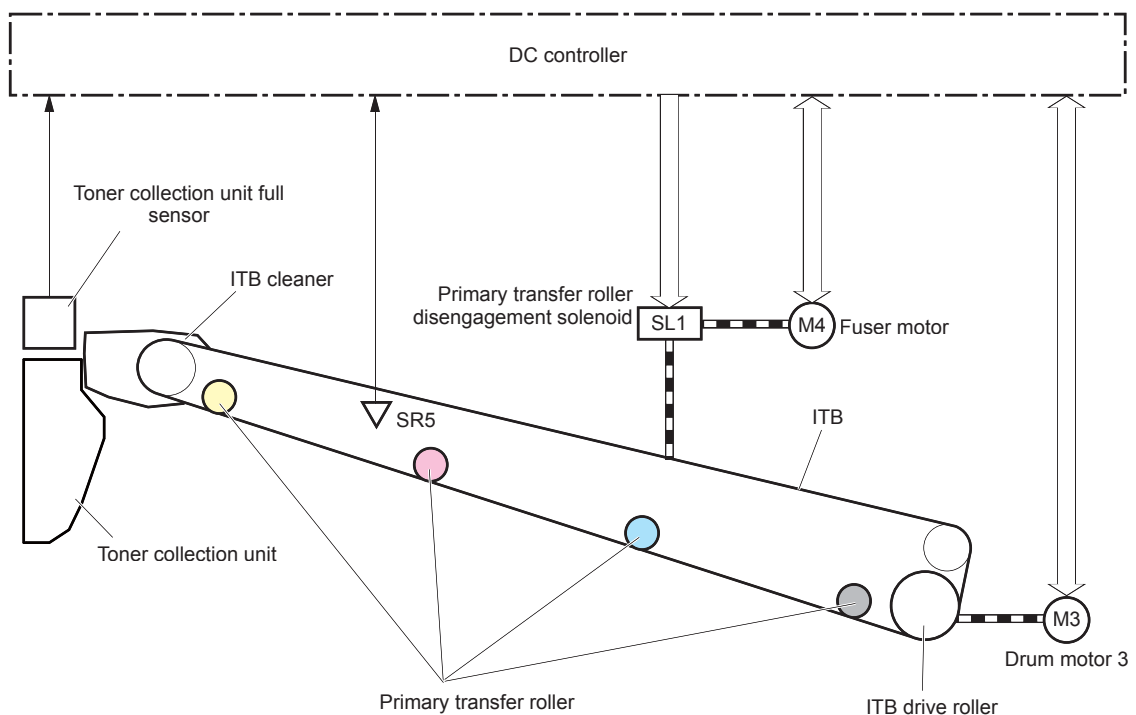
## Intermediate transfer belt (ITB) unit

The ITB unit accepts the toner images from the photosensitive drums and transfers the completed image to the paper. The ITB unit has the following main components:

- Intermediate transfer belt (ITB)
- ITB-drive roller
- Primary-transfer roller
- ITB cleaner

Drum motor 3 drives the ITB drive roller, which rotates the ITB. The motion of the ITB causes the primary transfer rollers to rotate. The ITB cleaner cleans the ITB surface.

**Figure 1-26** ITB unit



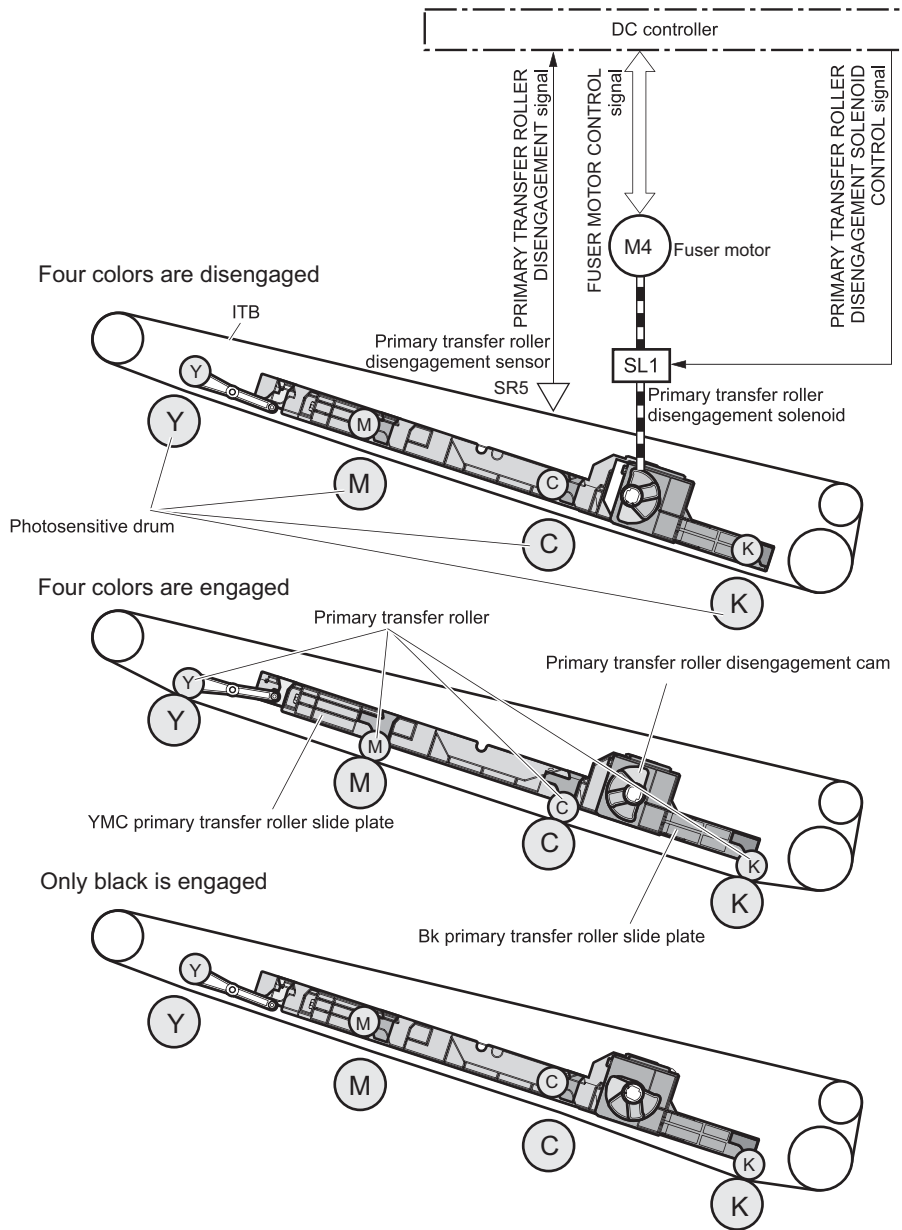
## Primary-transfer roller engagement and disengagement control

Depending on the requirements of the print job, the primary-transfer rollers engage with the ITB so it can receive toner from the photosensitive drums. The primary-transfer rollers have three engagement states.

**Table 1-16** Primary-transfer roller engagement states

All rollers disengaged	The ITB is disengaged from all the four photosensitive drums. This state is the home position for the ITB unit.
All rollers engaged	The ITB is engaged with all four photosensitive drums. This is the state for full-color printing.
Black roller engaged	The ITB is engaged with only the black photosensitive drum. This is the state for black-only printing.

**Figure 1-27** Three states of primary-transfer roller engagement and disengagement



The primary-transfer-roller disengagement motor rotates or reverses to place the primary-transfer-roller disengagement cam into one of three positions. The cam causes the transfer-roller slide plate to move to the right or left. This movement causes the primary-transfer rollers to move up to engage the ITB with the photosensitive drum or down to disengage it.

The DC controller expects to receive a signal from the ITB home-position sensor when the primary-transfer roller engages or disengages. If the DC controller does not receive this signal, but detects that the primary-transfer-roller disengagement motor is rotating, the DC controller determines that the primary-transfer-disengagement mechanism has failed, and notifies the formatter.

## ITB unit detection

The DC controller monitors several signals from the ITB unit to detect status.

---

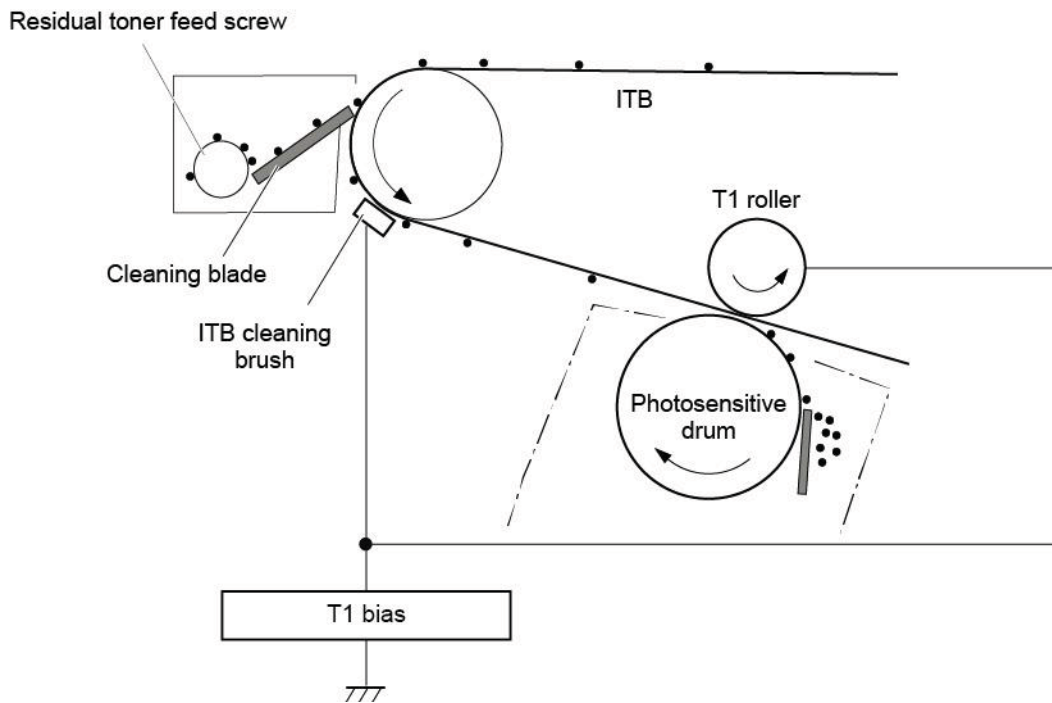
ITB unit life detection	<p>The DC controller detects whether the ITB unit is new by monitoring the new ITB unit sensor. The DC controller determines the ITB unit is at end of life and notifies the formatter when a specified number of pages are printed after the ITB unit is replaced. If swapping ITB units between two printers for troubleshooting purposes, be sure to return the ITB units to their original printers to maintain the correct life count.</p>
	<p><b>NOTE:</b> When installing a new ITB, refer to the instructions for resetting the ITB life counter in the installation guide provided with the replacement part.</p>
ITB unit presence detection	<p>The DC controller detects the presence of an ITB unit by monitoring the primary-transfer roller disengagement sensor. The DC controller turns on the primary-transfer disengagement solenoid for specified times during an initial rotation period when the following events occur:</p> <ul style="list-style-type: none"><li data-bbox="742 680 995 701">• The printer is turned on</li><li data-bbox="742 730 1038 751">• The printer exits sleep mode</li><li data-bbox="742 781 948 802">• The door is closed</li></ul> <p>The DC controller determines the absences of an ITB unit and notifies the formatter when it does not detect a specified signal from the new primary-transfer roller disengagement sensor.</p>

---

## ITB cleaning mechanism

The cleaning blade in the ITB cleaner scrapes the residual toner off the ITB surface and deposits the residual toner into the toner collection unit. The residual toner feed screw deposits the residual toner to the residual toner feed unit. The ITB motor and the residual toner feed motor drive the screw. The residual toner that cannot be removed by the cleaning blade is charged by the ITB cleaning brush, and then transferred from the ITB surface to the photosensitive drum by the primary transfer (T1) roller. The DC controller detects whether the toner collection unit is full by using the toner collection unit full sensor, and then notifies the formatter.

**Figure 1-28** ITB cleaning process



## Secondary transfer roller functions

The secondary transfer roller transfers the image from the ITB onto the paper.

The printer has the following secondary transfer roller functions.

**Table 1-17** Secondary transfer roller functions

Function	Supported feature
Secondary transfer roller cleaning mechanism	Yes
Secondary transfer roller presence detection	No
Secondary transfer roller life detection	No
Secondary transfer roller alienation control	Yes



## Calibration

The printer calibrates itself to maintain proper print quality. The calibration corrects color-misregistration and color-density variation due to environmental changes or internal variation in the printer.

The printer has the following calibration functions.

**Table 1-18 Calibration functions**

<b>Function</b>	<b>Supported feature</b>
Color-plane registration correction control	Yes
Environment correction control	Yes
Image density control (DMAX)	Yes
Image halftone control (DHALF)	Yes
Registration density sensor failure detection	Yes
Color sensor control	No
Gray axis control (GAS)	No
Environment sensor failure detection	Yes

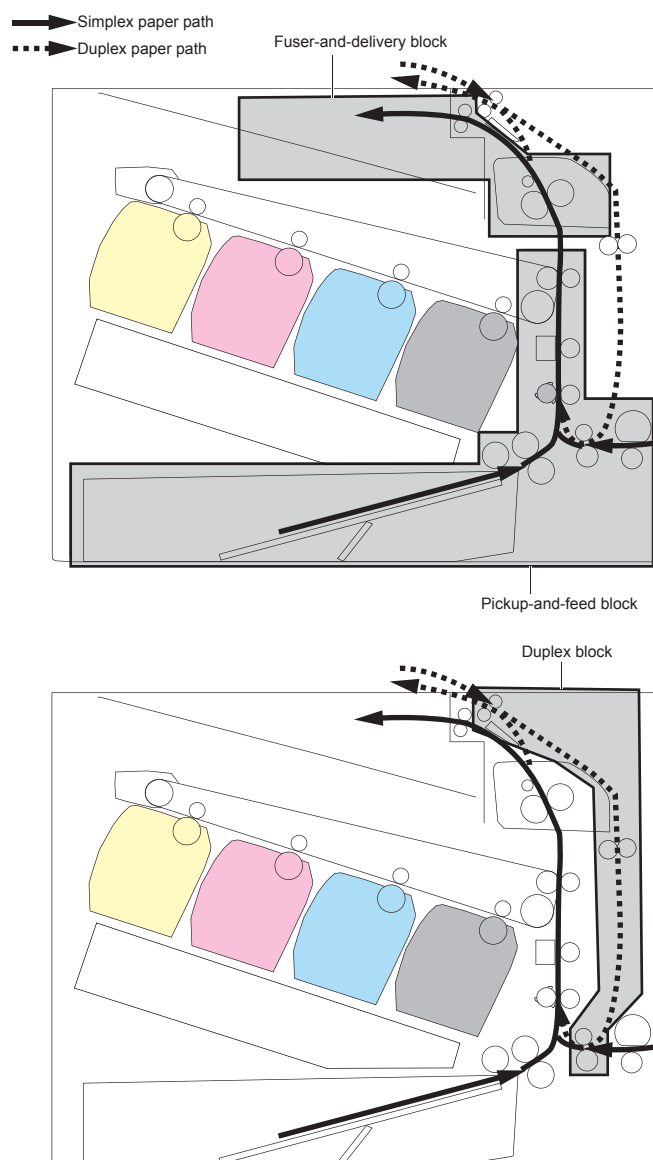
## Pickup, feed, and delivery system

The DC controller controls the pickup, feed, and delivery system according to commands from the formatter. The pickup, feed, and delivery system uses a series of rollers to move the paper through the printer.

The pickup, feed, and delivery system consists of the following three functional blocks. The DC controller controls each block to pick up, feed and deliver the paper.

- **Pickup-and-feed-block:** Controls the movement of the paper from each pickup source to the fuser inlet
- **Fuser-and-delivery-block:** Controls the movement of the paper from the fuser to the delivery destination
- **Duplex block:** Controls the movement of the paper from the duplex switchback unit to the duplex re-pickup unit (M552dn, M553dn, M553x, and M577 only)

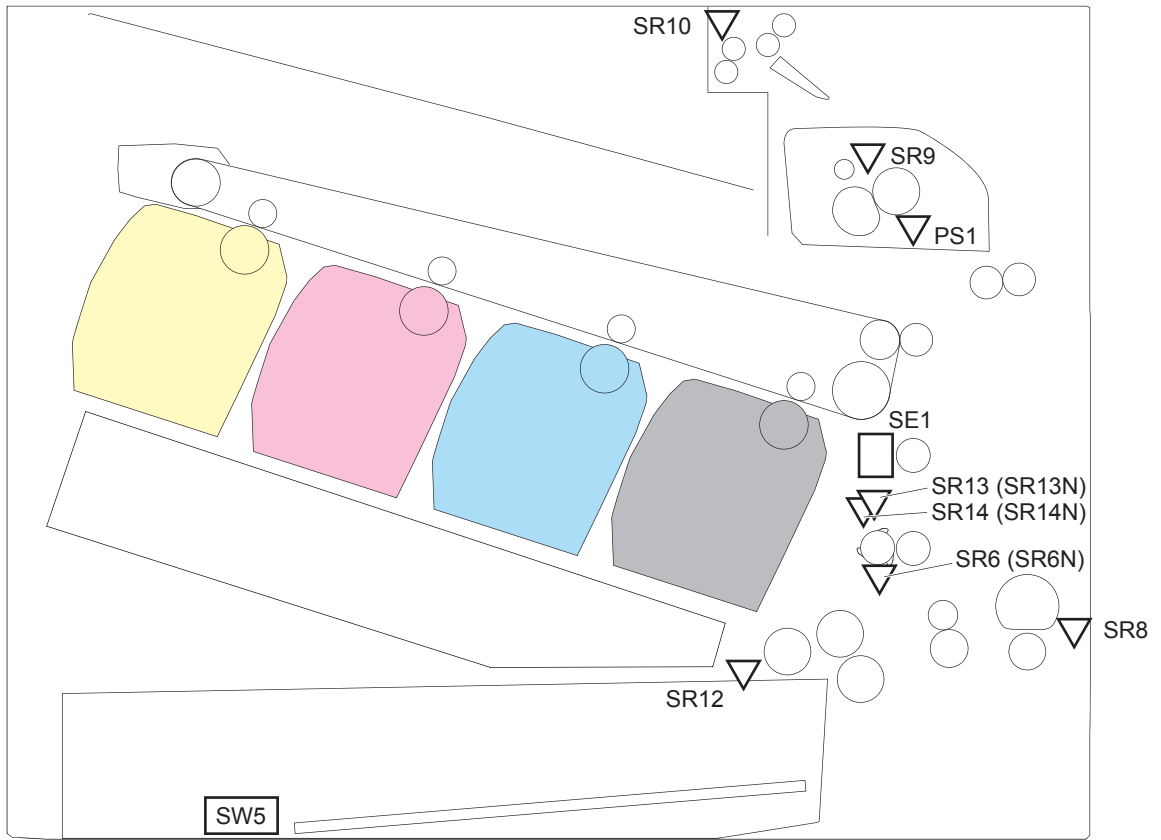
**Figure 1-29** Pickup, feed, and delivery system



## Photo sensors and switches

The following figure shows the sensors and switches for the pickup, feed, and delivery system.

**Figure 1-30** Photo sensors and switches



**Table 1-19** Photo sensors and switches

Abbreviation	Component	Replacement part number
PS1	Loop sensor	Fuser <ul style="list-style-type: none"> <li>• B5L35-67901 (110V)</li> <li>• B5L36-67901 (220V)</li> </ul>
SE1	Media sensor	Registration assembly <ul style="list-style-type: none"> <li>• RM2-0093-000CN (M553n)</li> <li>• RM2-0018-000CN (M552dn, M553dn, M553x, M577)</li> </ul>
SR6	Top-of-page (TOP) sensor (M552dn, M553dn, M553x, and M577 only)	Registration assembly (RM2-0018-000CN)
SR6N	Top-of-page (TOP) sensor (M553n only)	Registration assembly (RM2-0093-000CN)
SR8	Tray 1 media-out sensor	Right door assembly (RM2-0019-000CN)

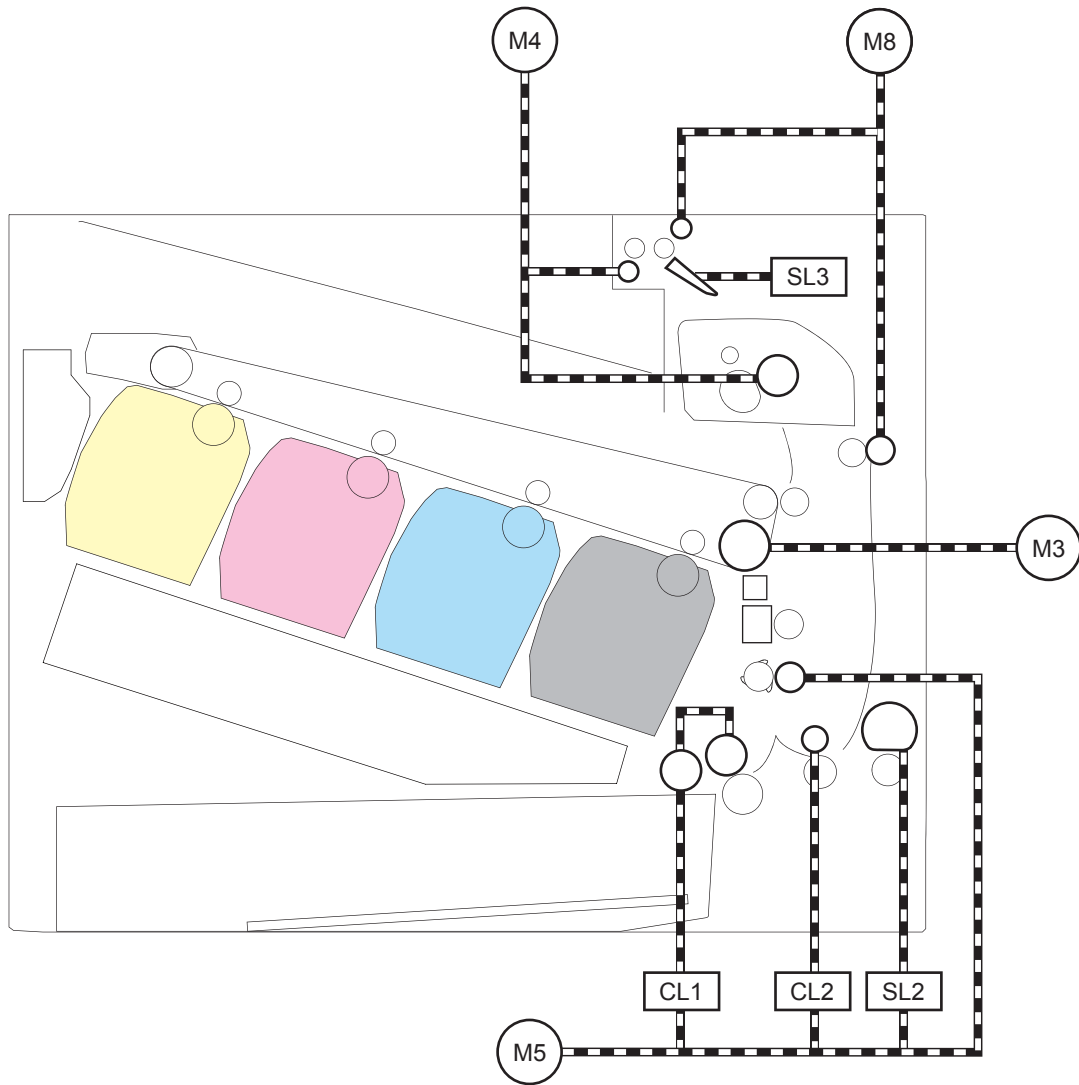
**Table 1-19 Photo sensors and switches (continued)**

<b>Abbreviation</b>	<b>Component</b>	<b>Replacement part number</b>
SR9	Fuser delivery sensor	Fuser <ul style="list-style-type: none"><li>• B5L35-67901 (110V)</li><li>• B5L36-67901 (220V)</li></ul>
SR10	Output bin media-full sensor	Paper delivery assembly <ul style="list-style-type: none"><li>• RM2-0092-000CN (M553n)</li><li>• RM2-0016-000CN (M552dn, M553dn, M553x, M577)</li></ul>
SR11	Fuser pressure release sensor	Part not available
SR12	Tray 2 media-out sensor	Paper pickup assembly (RM2-0017-000CN)
SR13	Media width sensor, front (M552dn, M553dn, M553x and M577 only)	Registration assembly (RM2-0018-000CN)
SR13N	Media width sensor, front (M553n only)	Registration assembly (RM2-0093-000CN)
SR14	Media width sensor, rear (M552dn, M553dn, M553x and M577 only)	Registration assembly (RM2-0018-000CN)
SR14N	Media width sensor, rear (M553n only)	Registration assembly (RM2-0093-000CN)
SW5	Tray 2 detection switch	Part not available

## Motors, clutches, and solenoids

The following figure shows the motors, clutches, and solenoids for the pickup, feed, and delivery system.

**Figure 1-31** Motors, clutches, and solenoids



**Table 1-20** Motors, clutches, and solenoids

Abbreviation	Component	Replacement part number
M3	Drum motor 3	Drum motor assembly (RM2-0078-000CN)
M4	Fuser motor	Fuser motor assembly (RM2-0077-000CN)
M5	Pickup motor	Paper pickup drive assembly (RM2-0008-000CN)
M6	Developer disengagement motor	Stepping motor (RK2-6027-000CN)
M7	Scanner motor	Laser scanner assembly (RM2-0100-000CN)
M8	Duplex reverse motor (M552dn, M553dn, M553x, and M577 only)	Duplexing drive assembly (RM2-0006-000CN)

**Table 1-20 Motors, clutches, and solenoids (continued)**

Abbreviation	Component	Replacement part number
CL1	Tray 2 pickup clutch	Lifter drive assembly (RM2-0010-000CN)
CL2	Duplex re-pickup clutch (M552dn, M553dn, M553x, and M577 only)	Duplexing drive assembly (RM2-0006-000CN)
SL1	Primary transfer roller alienation solenoid	Fuser drive assembly <ul style="list-style-type: none"><li>• RM2-0091-000CN (M553n)</li><li>• RM2-0009-000CN (M552dn, M553dn, M553x, M577)</li></ul>
SL2	Tray 1 pickup solenoid	Right door assembly (RM2-0019-000CN)
SL3	Duplex reverse solenoid (M552dn, M553dn, M553x, and M577 only)	Duplexing drive assembly (RM2-0006-000CN)


## Tray 1 (multipurpose)/Tray 2 (base printer)

Moving paper from Tray 1 and Tray 2 involves the interaction of multiple components within the printer. The following sections describe these processes.

### Tray 1 paper pickup and feed

The printer picks up one sheet of paper from Tray 1.

Following are the sequence of steps for the Tray 1 pickup operation.

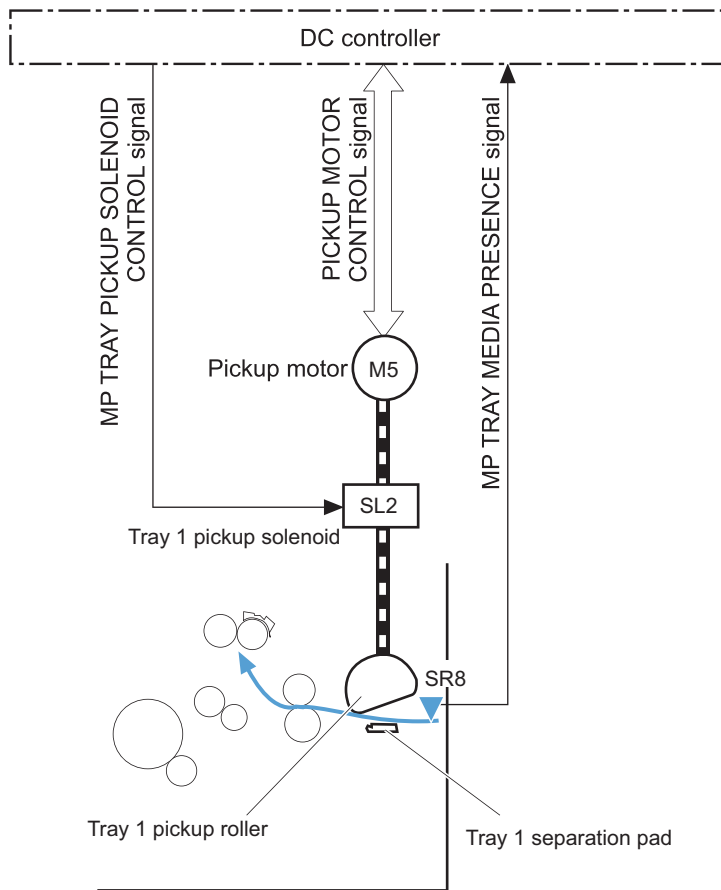
 **NOTE:** Tray 1 and Tray 2 are optimal for paper pickup when using special paper or media other than 20 lb plain paper. For Tray 1, the printer increases the number of attempts to pick up a page, which increases the reliability of successfully picking the page from the tray and decreases the possibility of a mis-pick jam.

HP recommends using Tray 1 or Tray 2 if the printer is experiencing excessive or reoccurring jams from trays other than Tray 1 and Tray 2, or for print jobs that require media other than 20 lb plain paper.

1. The pickup motor reverses when a print command is received from the formatter.
2. When the DC controller turns on the Tray 1 pickup solenoid, the Tray 1 pickup roller rotates and the lifting plate lifts.
3. As the lifting plate rises, the paper is picked up.
4. The Tray 1 separation pad removes any multiply-fed sheets, and one sheet is fed into the printer.

The Tray 1 media-out sensor (SR8) detects whether paper is present in Tray 1.

**Figure 1-32** Tray 1 pickup mechanism



### Tray 2 paper presence detection

The Tray 2 media-out sensor (SR12) detects the presence of paper in Tray 2.

The DC controller notifies the formatter when the Tray 2 media-out sensor detects that paper is absent.

### Tray 2 lift operation

The printer keeps the paper stack surface at the correct pickup position. The Tray 2 lift-up operation is performed under the following conditions:

- The printer is turned on
- Tray 2 is installed
- The paper stack surface in Tray 2 lowers

The operational sequence of the Tray 2 lift operation is as follows:

1. The pickup motor (M5) rotates and the lifter moves up. Note that this printer uses the pickup motor rather than a dedicated lifter motor.
2. When the Tray 2 media stack surface sensor 2 detects the stack surface of media, the lifter motor stops.
3. The lifter motor rotates again to lift the lifter when the Tray 2 media stack surface sensor 1 detects the stack surface and then lowers during printing.

When a Tray 2 media stack surface sensors does not detect the stack surface within a specified time period after the lifter motor starts rotating, the DC controller determines a lifter motor failure and notifies the formatter.

## Tray 2 paper pickup

Following are the sequence of steps for the Tray 2 pickup operation.



**NOTE:** Tray 1 and Tray 2 are optimal for paper pickup when using special paper or media other than 20 lb plain paper. For Tray 1, the printer increases the number of attempts to pick up a page, which increases the reliability of successfully picking the page from the tray and decreases the possibility of a mis-pick jam.

HP recommends using Tray 1 or Tray 2 if the printer is experiencing excessive or reoccurring jams from trays other than Tray 1 and Tray 2, or for print jobs that require media other than 20 lb plain paper.

1. The printer is turned on or Tray 2 is inserted.
2. The tray lift-up operation raises the lifting plate so paper can be picked up.
3. The pickup motor rotates when a print command is received from the formatter.
4. The Tray 2 pickup roller and Tray 2 feed roller rotate.
5. The Tray 2 pickup solenoid turns on at a specified time.
6. The Tray 2 pickup cam rotates.
7. As the pickup arm lowers, the Tray 2 pickup roller touches the surface of the paper stack.
8. One sheet of paper feeds into the printer.

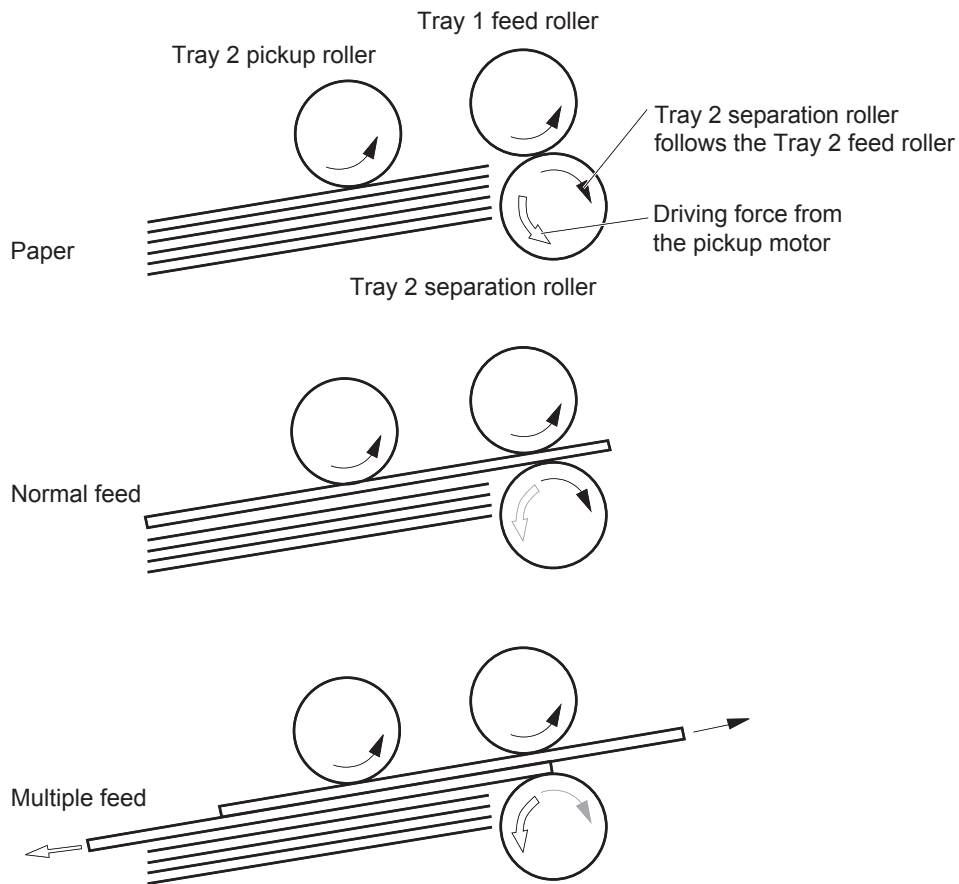
## Tray 2 multiple-feed prevention

The printer uses a separation roller method to prevent multiple sheets of print media from entering the paper path.

The separation roller overruns if just one sheet of paper is picked. If two or more sheets are picked, only the top sheet will be fed to registration and the multiply-fed sheets will be held at the pickup location by the separation roller. This printer does not have an actively-driven separation roller.



**Figure 1-33** Tray 2 multiple-feed prevention



### Tray 2 presence detection

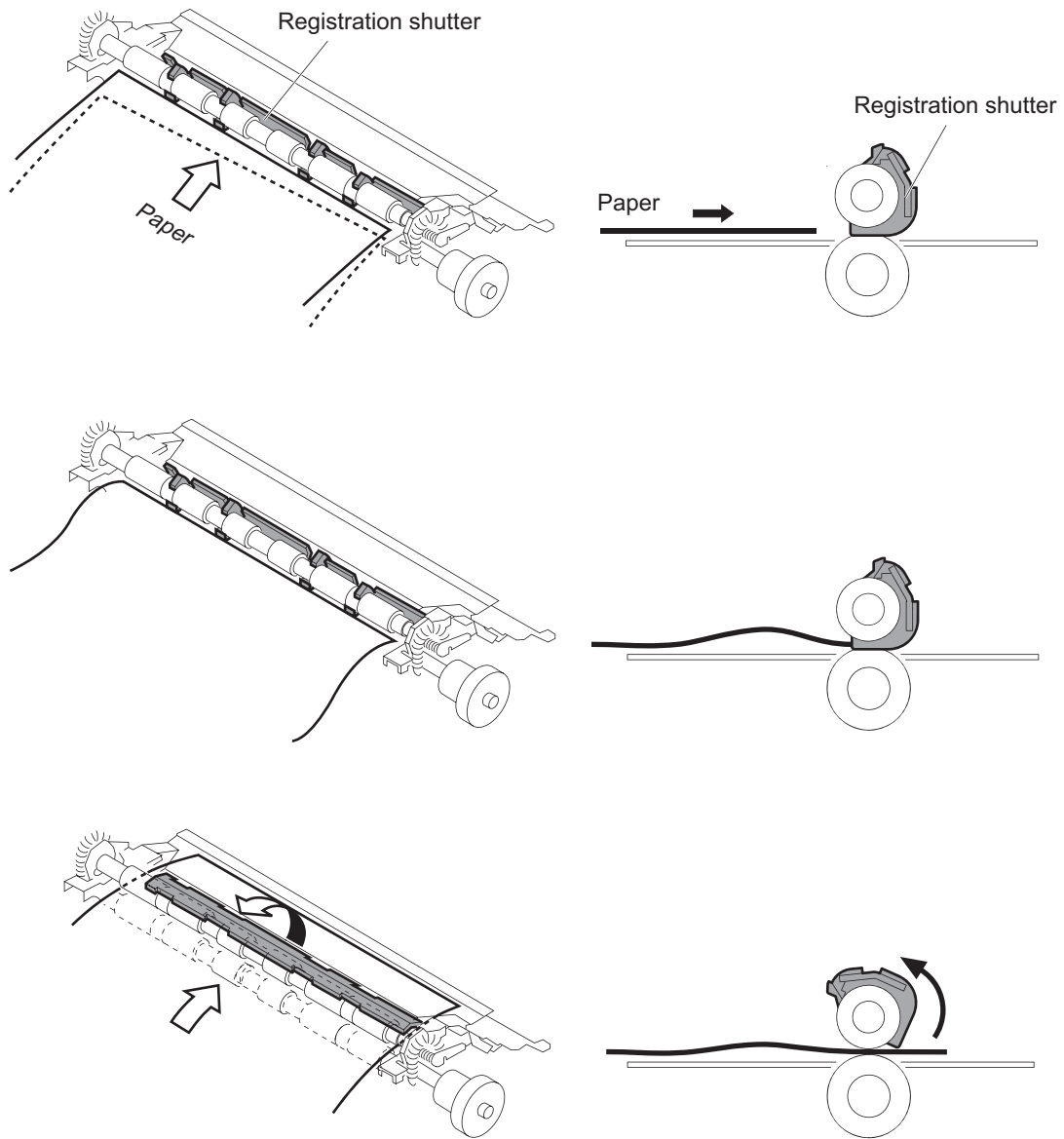
The Tray 2 presence sensor is in the lifter drive unit. The sensor detects the tray-presence sensor flag and determines whether the cassette is installed correctly.

### Tray 2 skew feed prevention

The printer can straighten the paper without slowing the feed operation.

1. The leading edge of paper strikes the registration shutter, and the leading edge is aligned with the shutter.
2. As the feed rollers keep pushing the paper, the paper warps.
3. When the force is great enough, the registration shutter rotates, and the paper passes through straightened.

**Figure 1-34** Skew-feed prevention



### Tray 2 media type detection

The printer selects the optimal print mode based upon the media type detected by the media sensor. The media sensor consists of an optical sensor, which detects the surface texture of the paper, and an ultrasonic sensor, which measures the thickness of the paper.

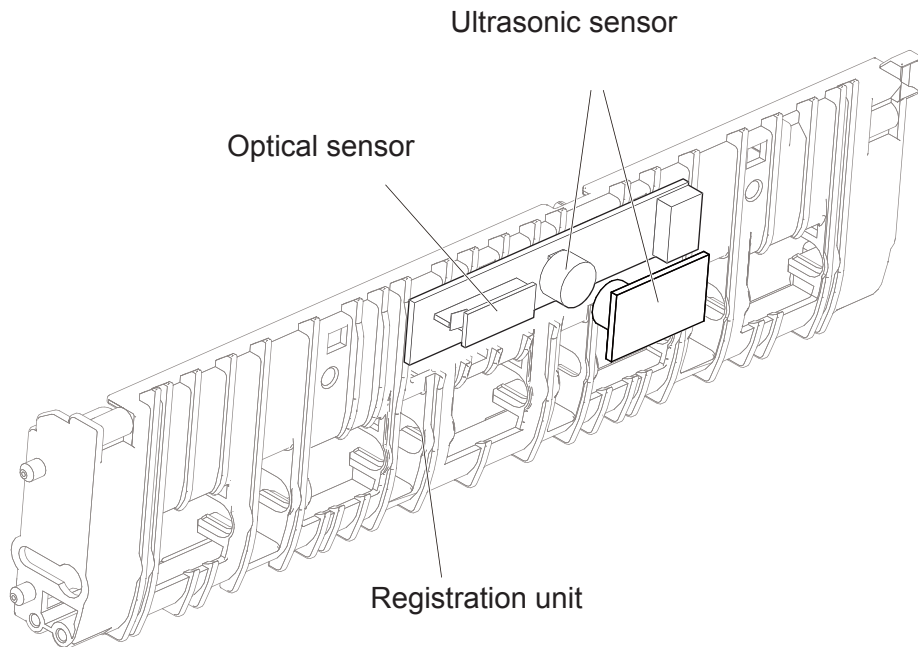
Following are the print modes detected by the printer:

- Normal
- Heavy media 1
- Heavy media 2
- Heavy media 3

- Light media
- Glossy media 1
- Glossy media 2
- Glossy media 3
- LBP\_OHT

The DC controller determines a media sensor error and reports it to the formatter when the value detected by the media sensor is out of a specified range of values.

**Figure 1-35** Media sensors



## Feed speed control

The DC controller adjusts the feed speed to improve the print quality depending on the paper type. The paper is fed at a specified speed according to the print mode designated by the formatter.

**Table 1-21** Print mode and feed speed

Print mode	Feed speed <sup>1</sup>	Media sensor detection
Normal	1/1	Yes
Heavy media 1	Pro	No
Heavy media 2	1/2	Yes
Heavy media 3	1/3	Yes
Light media 1	1/1	Yes
Light media 2	1/1	Yes
Light media 3	1/3	Yes

**Table 1-21 Print mode and feed speed (continued)**

Print mode	Feed speed <sup>1</sup>	Media sensor detection
Glossy media 1	1/3	Yes
Glossy media 2	1/3	Yes
Glossy media 3	1/3	Yes
Glossy film	1/3	Yes
Envelope 1	1/2	No
OHT	1/3	Yes
Label	1/2	No
Designated media 1	1/2	No
Designated media 2	1/3	No
Designated media 3	Pro	No

<sup>1</sup> Speed for both full color and black and white pages  
 1/1 speed = 210 mm/s  
 Pro speed = 174 mm/s  
 1/2 speed = 105 mm/s  
 1/3 speed = 70 mm/s

## Duplexing unit (M552dn, M553dn, M553x, and M577 only)

The duplexing unit reverses the paper and feeds it through the paper path to print the second side.

### Duplexing reverse and duplex feed control

The duplex reverse control reverses the paper after the first side is printed and feeds it to the duplex re-pickup position to print the second side of the page.

1. At a specified time after the first side of a page is printed, the duplex reverse motor rotates, and the duplex reverse solenoid is turned on.
2. The duplex flapper moves, and the paper feeds to the duplex reverse unit.
3. After a specified period of time, the duplex reverse motor reverses, and the paper feeds to the duplex feed unit.
4. The duplex reverse motor and the pickup motor move the paper to the duplex re-pickup position.
5. The duplex reverse motor and the duplex feed clutch stop, and the paper feed operation pauses.
6. After a specified period of time, the duplex reverse motor rotates, and the duplex feed clutch is turned on. The paper is then picked up again.

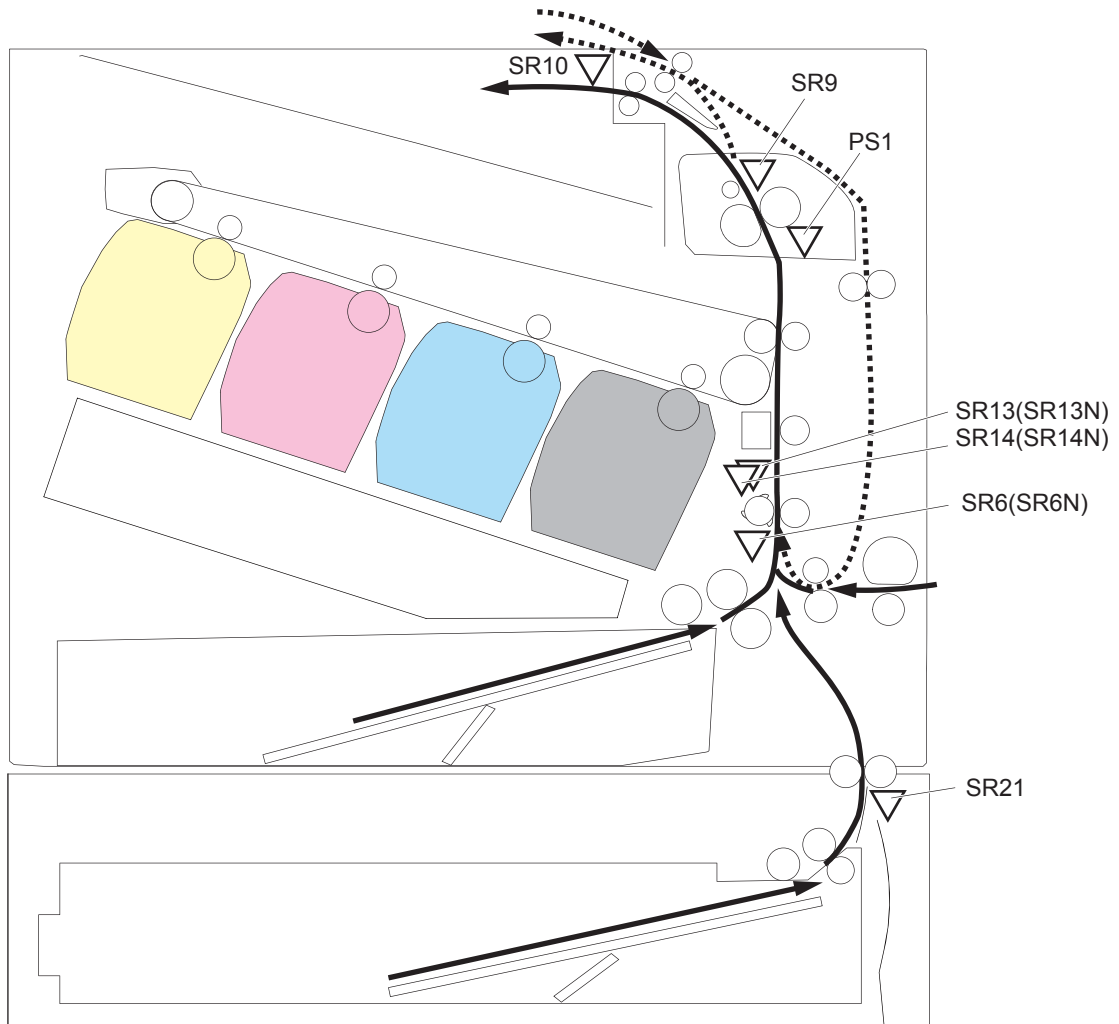
### Jam detection/prevention

The printer uses the following sensors to detect the paper as it moves through the paper path and to report to the DC controller if the paper has jammed.

- Top of page (TOP) sensor (SR6/SR6N)
- Media width sensor (front, SR13/SR13N)

- Media width sensor (rear, SR14/SR14N)
- Loop sensor (PS1)
- Fuser delivery sensor (SR9)
- Output bin media-full sensor (SR10)
- 1x550 sheet paper feeder media feed sensor (SR21)

**Figure 1-36** Jam detection sensors



The printer determines that a jam has occurred if one of these sensors detects paper at an inappropriate time. The DC controller stops the print operation and notifies the formatter.

**Table 1-22** Jams that the printer detects

Jam	Description
Media input delay jam 1	Media did not reach the registration sensor in time.
Media input delay jam 2	Media did not reach the source tray feed sensor in time.
Media input delay jam 3	Media did not reach the tray 3 feed sensor in time.

**Table 1-22 Jams that the printer detects (continued)**

<b>Jam</b>	<b>Description</b>
Duplex re-feed jam 1	Media did not reach the registration sensor in time.
Media input stay jam 1	Media remained at the registration sensor longer than legal-sized media should remain.
Fuser delivery delay jam 1	Media did not reach the fuser output sensor in time.
Fuser delivery stay jam 1	Media stayed at fuser output sensor longer than it should stay. Media is in duplex path.
Fuser delivery stay jam 2	Media stayed at fuser output sensor longer than it should stay. Media is in simplex path.
Wrap jam 1	Media is first detected at fuser output sensor and then disappeared from the sensor before it should have disappeared.
Door open jam	A door is open while paper is moving through the printer.
Residual Media in paper path jam 1	Media detected in the paper path.

## Fuser wrapping jam detection

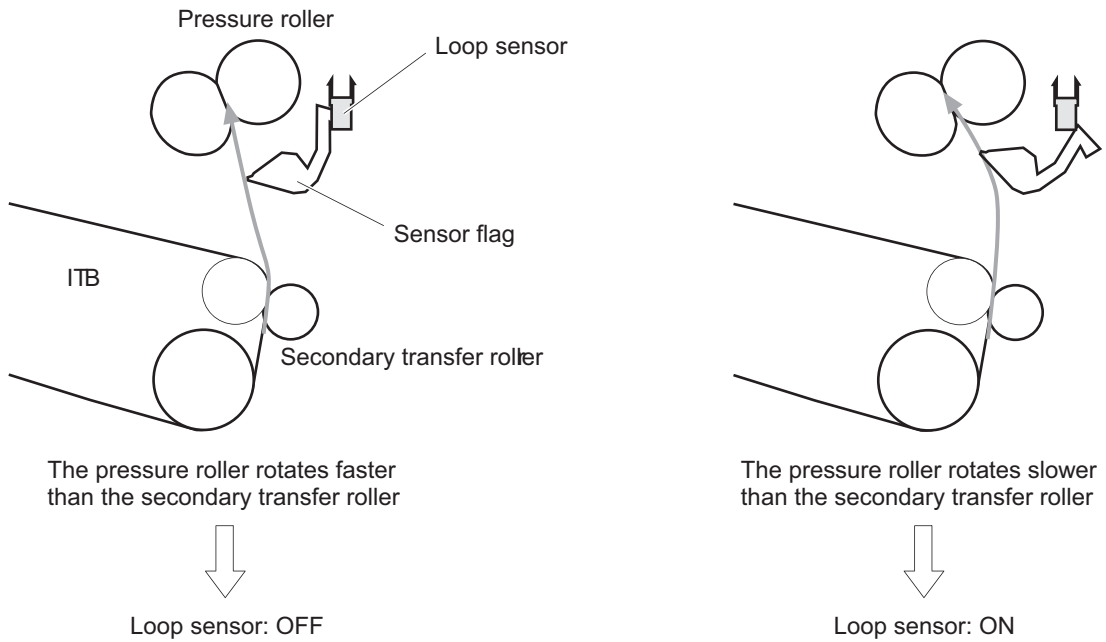
The printer includes controls for detecting when a jam occurs causing the paper to wrap around the fuser roller.

### Loop control

The loop control stabilizes the paper feed operation before the paper enters the fuser. If the pressure roller rotates slower than the secondary transfer roller, the paper loop increases and an image defect or paper crease occurs. If the pressure roller rotates faster than the secondary transfer roller, the paper loop decreases and a vertical scanning magnification failure occurs because the pressure roller pulls the paper.

To prevent these problems, the loop sensor detects the paper loop before the paper enters the fuser. The DC controller adjusts the rotational speed of the fuser motor according to the output signals from the loop sensor and maintains the paper loop. The DC controller slows the fuser motor when the sensor is off and speeds up the motor when the sensor is on.

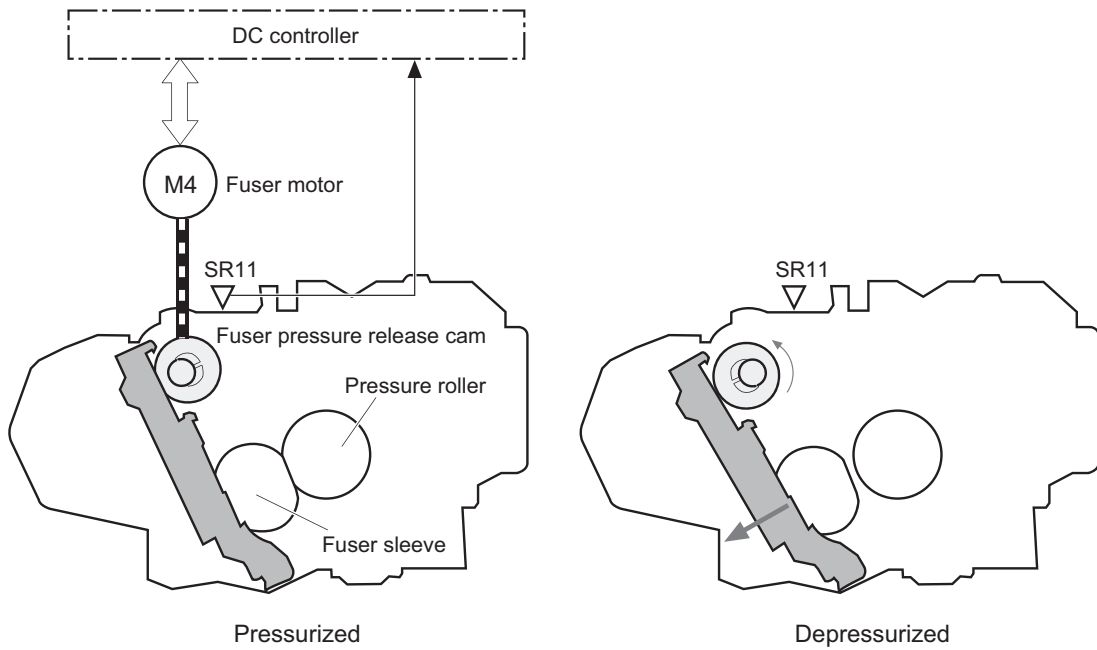
**Figure 1-37** Loop control mechanism



**Pressure roller pressurization and depressurization control**

To prevent excessive wear on the pressure roller and help with jam-clearing procedures, the pressure roller pressurizes only during printing and standby. The DC controller reverses the fuser motor. The fuser motor rotates the fuser pressure-release cam.

**Figure 1-38** Pressure roller pressurization control




The pressure roller depressurizes under the following conditions:

- The printer is turned off
- Any failure occurs
- During power-save mode
- A paper jam is detected

If the DC controller does not sense the fuser pressure-release sensor for a specified period after it reverses the fuser motor, it notifies the formatter that a fuser pressure-release mechanism failure has occurred.



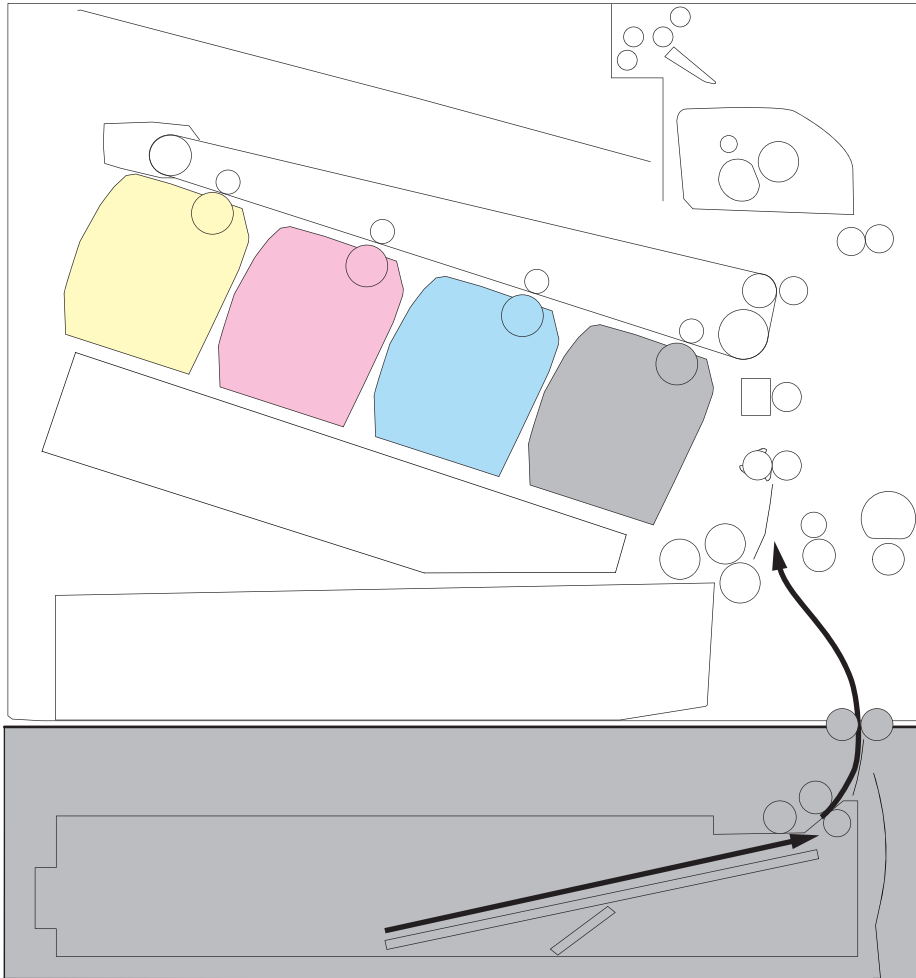
## Input accessories

 **NOTE:** An optional 550-sheet paper feeder is available for this printer. The printer supports up to three of these paper feeders at a time.

### Trays 3-5

The 550-sheet paper feeder is installed under the printer. It picks up paper and feeds it into the printer.

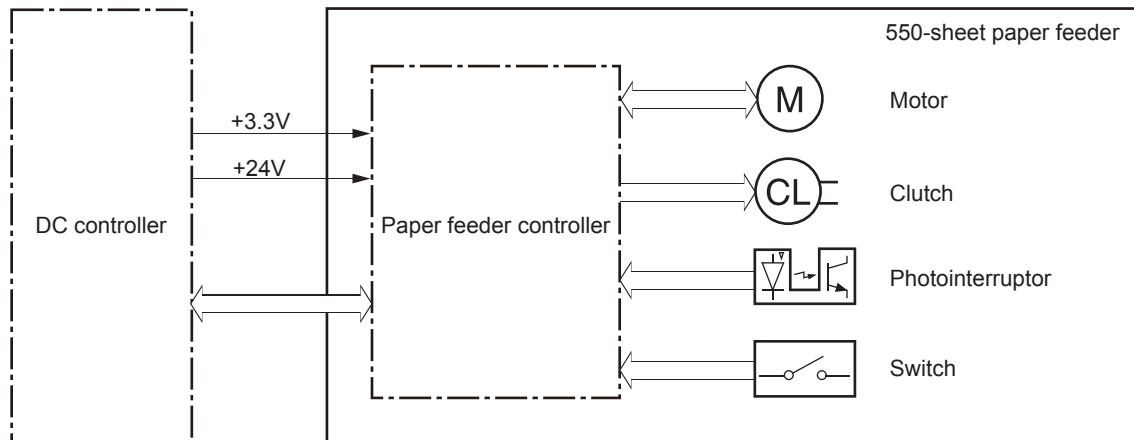
**Figure 1-39** 550-sheet paper feeder



### Trays 3-5 driver PCA

The paper feeder controller controls the operational sequence of the paper feeder.

**Figure 1-40** Tray 3-5 driver PCA



## Trays 3-5 motor control

The 550-sheet paper feeder has one motor for lifting the tray and feeding paper.

**Table 1-23** Trays 3-5 motor control

Component	Drives	Failure detection
M20	Feed motor (550-sheet paper feeder) Tray pickup roller (B5L24-67904) Tray feed roller (B5L24-67904) Paper feed assembly (RM2-5145-000CN) Lifter drive assembly (RM2-5149-000CN)	No

## Trays 3-5 electrical components

The paper feeder contains several motors, solenoids, sensors, and switches, as described in the following table.

**Table 1-24** Tray 3-5 electrical components

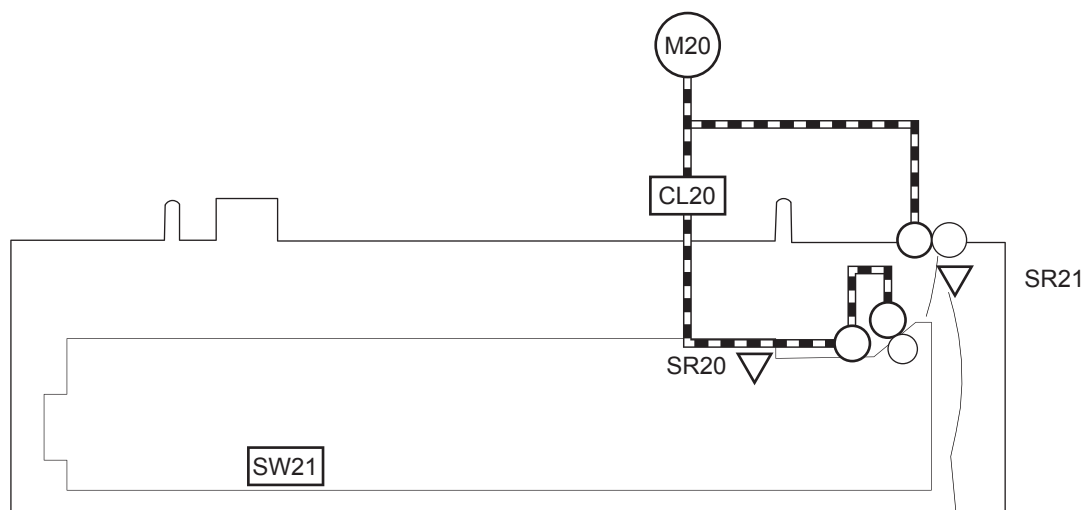
Component type	Abbreviation	Component name	Replacement part number
Motor	M20	Feed motor (550-sheet paper feeder)	Paper feed assembly (RM2-5145-000CN)
Clutch	CL20	Tray pick up clutch (550-sheet paper feeder)	Lifter drive assembly (RM2-5149-000CN)
Switches	SW20	Right door switch (550-sheet paper feeder)	Right door (RM2-5146-000CN)
	SW21	Tray detection switch (550-sheet paper feeder)	Switch button (WC2-5806-000CN)
Sensors	SR20	Tray media-out sensor (550-sheet paper feeder)	Paper pick up assembly (RM2-5154-000CN)

**Table 1-24 Tray 3-5 electrical components (continued)**

Component type	Abbreviation	Component name	Replacement part number
	SR21	Feed sensor (550-sheet paper feeder)	Paper feed assembly (RM2-5145-000CN)

## Trays 3-5 paper pickup

The 550-sheet paper feeder picks up one sheet from the paper-feeder tray and feeds it to the printer.

**Figure 1-41** Paper pickup and feed operation (550-sheet paper feeder)**Table 1-25 Pickup feed components (1x550-sheet paper feeder)**

Abbreviation	Component	Replacement part number
M20	Feed motor (550-sheet paper feeder)	Paper feed assembly (RM2-5145-000CN)
CL20	Tray pickup clutch (550-sheet paper feeder)	Part not available
SR20	Tray media-out sensor (550-sheet paper feeder)	Paper pick up assembly (RM2-5154-000CN)
SR21	Feed sensor (550-sheet paper feeder)	Paper feed assembly (RM2-5145-000CN)
SW21	Tray detection switch (550-sheet paper feeder)	Switch button (WC2-5806-000CN)

## Trays 3-5 multiple feed prevention

The multiple-feed prevention for the 550-sheet paper feeder is operated in the same way as that of the printer base.

## Trays 3-5 tray presence detection

The presence detection for the 550-sheet paper feeder is the same way as that of the printer base.

## Trays 3-5 tray lift operation

The 550-sheet paper feeder keeps the paper stack surface at the correct pickup position. The tray lift operation occurs under the following conditions:

- The printer is turned on.
- The tray is inserted.
- The paper stack surface of the tray lowers.

The sequence occurs as follows:

1. The feeder tray-lifting motor rotates and the lifter moves up.
2. When the paper-feeder media-stack-surface sensor detects the stack surface of the paper, the lifting motor stops.
3. The lifting motor rotates again to lift the lifter when the paper-feeder media-stack-surface sensor detects the stack surface, and then lowers during printing.

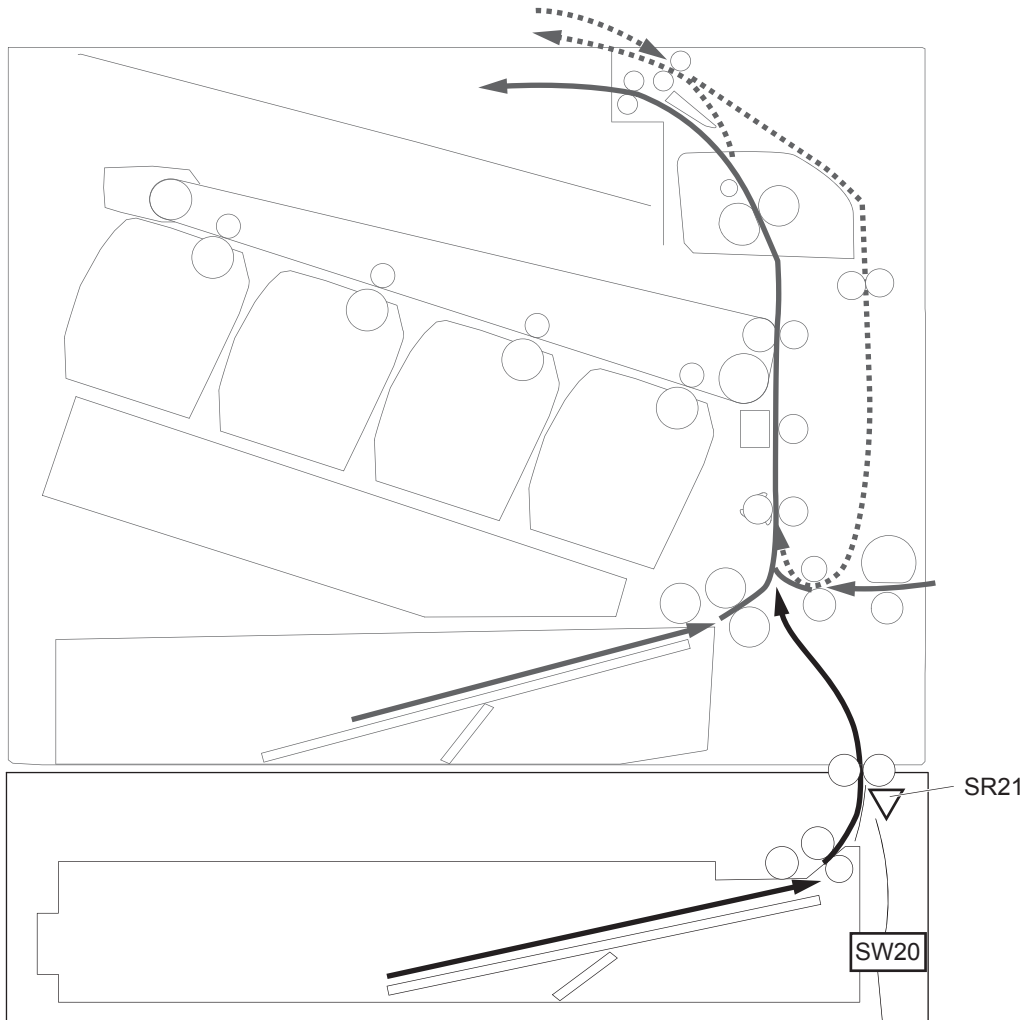
If a tray media-stack-surface sensor does not detect a stack surface within a specified period after the lifting motor starts rotating, the paper feeder driver determines that the lifting motor has failed and notifies the formatter through the DC controller.

The paper-feeder driver notifies the formatter if either of the paper-feeder media-stack-surface sensors fails to detect the stack surface within a specified period from when a lift-up operation starts.

## Trays 3-5 jam detection

The 550-sheet paper feeder uses the feed sensor (SR21) and right door switch (SW20) to detect the presence of paper and to check whether paper has jammed.

**Figure 1-42** Jam detection (1x550-sheet paper feeder)



The 550-sheet paper feeder detects the following jams:

- **Media input delay jam 1 (550-sheet paper feeder):** Paper did not reach the registration sensor in time.
- **Media input delay jam 2 (550-sheet paper feeder):** Paper did not reach the source tray feed sensor in time.
- **Media input delay jam 3 (550-sheet paper feeder):** Paper did not reach the tray 3 feed sensor in time.
- **Pickup stationary jam (550-sheet paper feeder):** The feed sensor does not detect the trailing edge of paper within a specified time after the sensor detects the leading edge.
- **Residual paper jam (550-sheet paper feeder):** The feed sensor detects the presence of paper for a specified time during an automatic delivery operation.
- **Right door open jam (550-sheet paper feeder):** The right door open is detected during a paper feed operation.

## Scanning and image capture system (M577)

---



**NOTE:** This section is for the M577 printer only.

---

The scanner is a carriage-type platen scanner which includes the frame, glass, scan module, and a scan control board (SCB). The scanner has a sensor to detect legal-sized media and a switch to indicate when the document feeder is opened.

The document feeder and control panel are attached to the scanner. If the scanner fails, it can be replaced as a whole unit. The scanner replacement part does not include the document feeder, control panel, or SCB.

# Document feeder system (M577)



**NOTE:** This section is for the M577 printer only.

---

## Document feed system

This section describes the following:

- Sensors in the document feeder
- Document feeder paper path
- Simplex single-pass scanning
- Electronic duplexing (e-duplex) single-pass scanning
- Deskew operation
- Document feeder hinges

The printer supports single-pass electronic duplexing (e-duplex) copy jobs. Two separate scan modules scan the front-side and back-side of an e-duplex copy job page in a single pass through the document feeder.

For the M577c/z models, the document feeder supports a smart background, which auto-crops and adjusts the image extents.

## Sensors in the document feeder

The document feeder contains the following sensors:

- **ADF paper present sensor:** Detects whether a document is present in the document feeder. If paper is present in the document feeder when copies are made, the printer scans the document using the document feeder. If no paper is present when copies are made, the printer scans the document using the scanner glass.
- **ADF Y (length) sensor:** Detects whether a legal-size original is present in the document feeder.
- **ADF jam cover sensor:** Detects whether the document feeder cover is open or closed.
- **ADF paper path deskew sensor:** Detects the top of the page as it enters the deskew rollers.
- **ADF paper path pick success sensor:** Detects a successful one page feed from the document feeder tray.

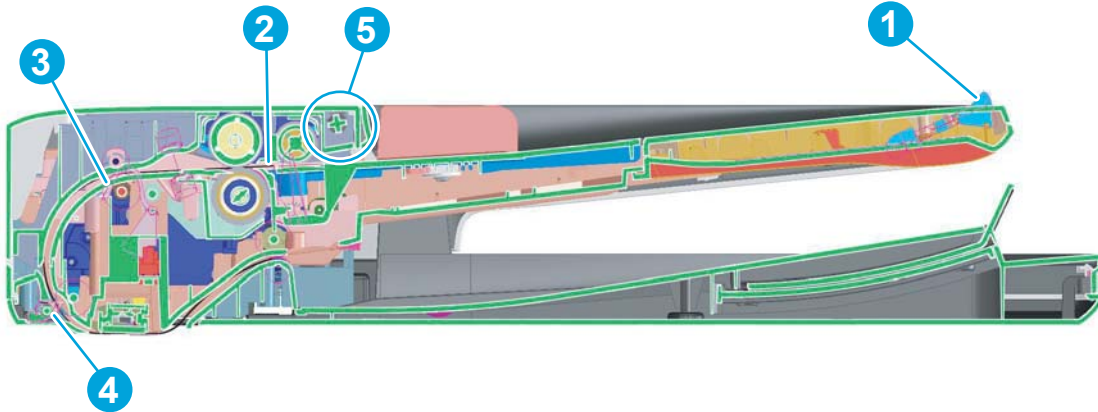


**NOTE:** This sensor uses ultrasonic sound to detect a multi-page paper feed.

---

- **Paper path sensor 1:** Detects the top of the page as it approaches the front-side scan module (document feeder glass).

**Figure 1-43** Document feeder sensors

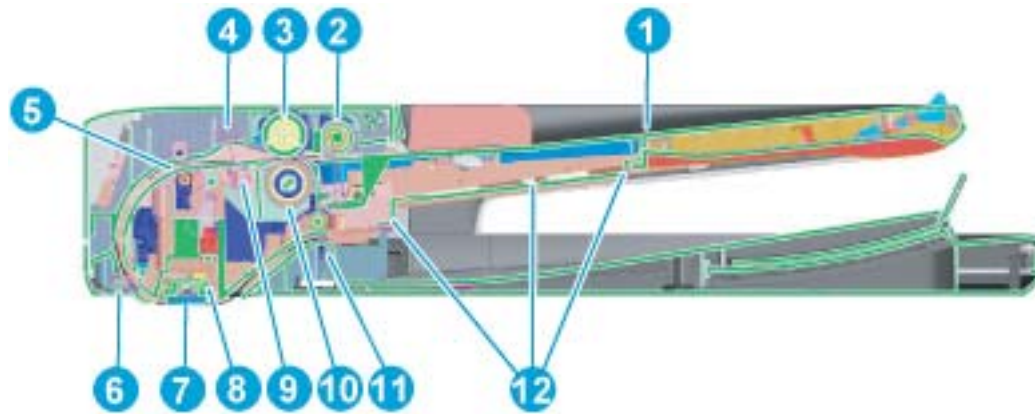


**Table 1-26** Document feeder sensors

Item	Description
1	ADF Y (length) sensor
2	ADF paper present sensor
3	ADF deskew sensor
4	Paper path sensor 1  <b>NOTE:</b> For an e-duplex copy job, this sensor is used to activate the front-side scan module (in the scanner base) and the front-side background selector (in the document feeder), if needed.
5	ADF jam cover sensor (open the jam access cover and insert a folded piece of paper to activate the flag)

## Document feeder paper path

**Figure 1-44** Document feeder paper path



**Table 1-27** Document feeder paper path

Item	Description	Item	Description
1	Input tray	7	Front-side scan module  <b>NOTE:</b> This scan module (document feeder glass) is located in the scanner base.
2	Pre-pick roller	8	Back-side scan module



**Table 1-27 Document feeder paper path (continued)**

Item	Description	Item	Description
3	Pick roller	9	ADF pick success transmitter
4	ADF pick success receiver	10	Separator roller
5	Deskew drive roller	11	Exit drive roller
6	Prescan drive roller	12	Lift plate


## Document feeder simplex operation

Following is the basic sequence of operation for a document feeder simplex job.

1. The ADF jam cover sensor detects when the cover door is in the closed position.
2. The ADF paper present sensor activates when paper is loaded onto the input tray.
3. The feed motor rotates to raise the lift plate and starts to pick the loaded paper.
4. The ADF multi-pick (ultrasonic) sensor activates when the leading edge of the media is driven past the sensor. The printer firmware registers a successful pick operation.
5. The ADF paper path deskew activates when the leading edge of the paper passes it. The printer firmware registers the leading edge of the paper position.
6. The leading edge of the paper drives into the nip point of the deskew drive roller and the deskew pinch rollers. This creates a buckle of paper by the nip point for pick-skew correction.
7. The deskew motor rotates the deskew drive roller to pull the paper into the prescan drive roller.
8. The pick motor stops turning and allows both the pick and feed roller to turn freely while the paper is pulled in by the deskew drive roller.
9. The feed motor rotates to drive the paper into the prescan front-side sensor. The firmware registers the leading edge position of the paper as the multi-pick sensor activates.
10. The feed motor continues to rotate and drive the leading edge of the paper through the preset distance from the multi-pick sensor to the front-side scan zone. The scanner begins the scanning and data retrieval process.
11. The ADF multi-pick (ultrasonic) sensor deactivates when the trailing edge of the paper passes the sensor. The firmware registers the trailing edge of the paper position.
12. The feed motor continues to rotate and drive the trailing edge of the paper through the preset distance from the ADF multi-pick (ultrasonic) sensor to the front-side scan zone. The scanner ends the scanning and data retrieval process.
13. The feed motor continues to rotate and ejects the trailing edge of the paper into the output bin.
14. One of the following occurs:
  - If the copy job is complete, the ADF paper present sensor deactivates. The feed motor reverses rotation to raise the pick roller.
  - If the copy job is not complete, the ADF paper present sensor is active. The printer firmware detects additional pages in the input tray and the process repeats.

## Document feeder e-duplex operation

Following is the basic sequence of operation for a document feeder simplex job.

 **NOTE:** For an e-duplex copy job, the background scan operation begins immediately after the simplex sequence of operation ends.

1. The feed motor continues to drive the paper until the leading edge activates the prescan back-side sensor. The printer firmware registers the position of the leading edge of the paper.
2. The feed motor continues to rotate to drive the leading edge of the paper through the preset distance from prescan back-side sensor to the back-side background selector scan zone. The back-side background scan module begins scanning and retrieval of the data.
3. The prescan back-side sensor deactivates when the trailing edge of the paper passes it. The printer firmware registers the trailing edge of the paper position.
4. The feed motor continues to rotate to drive the trailing edge of the paper edge past the back-side background selector scan zone.
5. The feed motor continues to rotate and ejects the trailing edge of the paper into the output bin.
6. One of the following occurs:
  - If the copy job is complete, the ADF paper present sensor deactivates. The feed motor reverses rotation to raise the pick roller.
  - If the copy job is not complete, the ADF paper present sensor is active. The printer firmware detects additional pages in the input tray and the process repeats.

## Deskew operation

Sliding side guides on the input tray make sure that the paper stack is correctly aligned at the center of the input tray when paper is loaded in the tray. The correct position of the loaded paper is parallel with the direction of travel into the document feeder paper path

The document feeder further reduces paper skew due to improper loading of paper in the input tray by buckling the paper to create a paper buffer.

The document feeder aligns the leading edge of the paper parallel with the deskew drive rollers before it is driven further into the document feeder paper path.

**Figure 1-45** Deskew operation



## Document feeder hinges

The document feeder hinges allow positioning the assembly vertically above the scanner glass to accommodate the placement of books and other objects up to 25 mm (1.0 in) in height on the scanner glass. The document feeder still closes (the bottom of the document feeder is kept parallel to the scanner glass) and allows the printer to operate.

The document feeder hinges provide height adjustment of 25 mm (1.0 in) when a maximum downward force of 4.5 kg (10 lb) is applied at the front edge of the assembly, with the fulcrum (such as the spine of a book) centered on the scanner glass and parallel to its long axis.

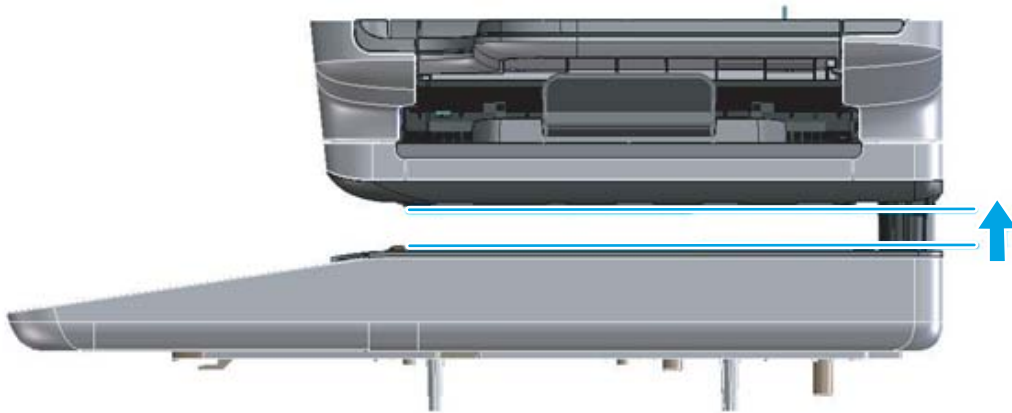
The document feeder will withstand a downward force of at least 4.5 kg (10 lb) applied at the front edge center of the assembly—when the fulcrum (such as the spine of a book) is located anywhere on the scanner glass and parallel to its long axis—without breaking, deforming, detaching or experiencing performance degradation.

The document feeder hinges support the assembly in the open position and prevent the document feeder from suddenly closing in a damaging or loud manner.

The hinges can hold the document feeder static in all positions higher than 100 mm (3.93 in); measured at the front of the assembly. Less than 2.3 kg (5 lb) of force is required to open or close the document feeder.

The hinges allow the document feeder to open to an angle of between 60° and 80° from the horizontal position (this angle will not allow the printer to tip over).

**Figure 1-46** Document feeder open (book mode)



**Figure 1-47** Document feeder open (60° to 80°)



---

## 2 Solve problems

- [For additional service and support](#)
- [Solve problems checklist](#)
- [Troubleshooting process](#)
- [Tools for troubleshooting](#)
- [Solve image-quality problems](#)
- [Clean the printer](#)
- [Solve paper handling problems](#)
- [Solve performance problems](#)
- [Solve connectivity problems](#)
- [Service mode functions](#)
- [Firmware upgrades](#)
- [Solve email problems](#)

## For additional service and support

HP service personnel, go to the Service Access Work Bench (SAW) at <http://h41302.www4.hp.com/km/saw/home.do>.

Channel partners, go to HP Channel Services Network (CSN) at <https://h30125.www3.hp.com/hpcsn>.

At these locations, find information on the following topics:

- Install and configure
- Printer specifications
- Up-to-date control panel message (CPMD) troubleshooting
- Solutions for printer issues and emerging issues
- Remove and replace part instructions and videos
- Service advisories
- Warranty and regulatory information

To access HP PartSurfer information from any mobile device, go to <http://partsurfermobile.hp.com/> or scan the Quick Response (QR) code below.



# Solve problems checklist

- [Solve problems checklist](#)
- [Print the configuration page](#)
- [Print menu map](#)
- [Print current settings pages](#)
- [Print event log](#)
- [Pre-boot menu options](#)

## Solve problems checklist

If the printer is not correctly functioning, complete the steps (in the order given) in the following checklist. If the printer fails a checklist step, follow the corresponding troubleshooting suggestions for that step. If a checklist step resolves the problem, skip the remaining checklist items.

1. If the control panel is blank or black, check the following before proceeding:
  - Check the power cable.
  - Check that the power is turned on.
  - Make sure that the line voltage is correct for the printer power configuration. (See the label that is on the back of the printer for voltage requirements.) If a power strip is in use, and its voltage is not within specifications, connect the printer directly into the electrical outlet. If it is already connected into the outlet, try a different outlet.

If the control panel is not responding to touch (M553x or M577 models), or if it appears black or blank, follow the steps below.



---

**NOTE:** The following conditions indicate that the printer has frozen while in Sleep mode:

- The control-panel home button LED is illuminated.
- The power-switch LED flashes once every three to five seconds.

Opening a door, tapping the control panel (M553x and M577 models), or pressing a control-panel button (M552dn and M553n/dn models) causes the printer to wake up from Sleep mode.

---

- a. Turn the printer power off, and then on again.
- b. Try upgrading the firmware. If the firmware upgrade fails to resolve the problem, elevate the case after collecting the following information:
  - Try printing to the printer from a host computer. Does the printer print a page?
  - Is the printer HP Embedded Web Server (EWS) accessible?
  - Turn the printer power off, and then on again. Save the printer diagnostic file.

### To save diagnostic files from a touchscreen control panel (M553x)

1. From the **Home** screen on the printer control panel, scroll to and touch the **Administration** option.
2. Scroll to and touch the **Troubleshooting** option.
3. Scroll to and touch the **Generate Debug Data** option, and then touch the **Start** button. Wait for the operation to complete.
4. Install a USB drive in the easy-access USB port.
5. Scroll to and touch the **Retrieve Diagnostic Data** option.
6. Scroll to and touch the **Diagnostic Files** option.
7. Select the **Create zipped debug information file** option, and then touch the **Save** button.
8. Scroll to and touch the **Include crash dump files** option.
9. Select **On**, and then touch the **Save** button.
10. Scroll to and touch the **Clean up debug information** option.
11. Select **Off**, and then touch the **Save** button.
12. Select **Export to USB** and wait for the operation to complete.
13. Remove the USB drive.

### To save diagnostic files from a touchscreen control panel (M577)

1. From the **Home** screen on the printer control panel, scroll to and touch the **Administration** option.
2. Scroll to and touch the **Troubleshooting** option.
3. Scroll to and touch the **Generate Debug Data** option, and then touch the **Start** button. Wait for the operation to complete.
4. Install a USB drive in the easy-access USB port.
5. Scroll to and touch the **Retrieve Diagnostic Data** option.
6. Select **Create zipped debug information**.
7. Select **Include crash dump files**.
8. Make sure that **Cleanup debug information** is **not** selected.
9. Touch the **Export to USB** button and wait for the operation to complete.
10. Remove the USB drive.


### To save diagnostic files from an LCD control panel

1. From the **Home** screen on the printer control panel, use the down arrow button to scroll to **Administration** and then press the **OK** button.
2. Use the down arrow ▼ button to scroll to **Troubleshooting**, and then press the **OK** button.



3. Use the down arrow ▼ button to scroll to [Generate Debug Data](#), and then press the **OK** button. Wait for the operation to complete.
  4. Use the down arrow ▼ button to scroll to [Retrieve Diagnostic Data](#), and then press the **OK** button.
  5. Use the down arrow ▼ button to scroll to [Diagnostic Files](#), and then press the **OK** button.
  6. Use the down arrow ▼ button to scroll to [Create zipped debug information file](#) option, and then press the **OK** button.
  7. Use the down arrow ▼ button to scroll to [Include crash dump files](#), and then press the **OK** button.
  8. Use the down arrow ▼ button to scroll to [On](#), and then press the **OK** button.
  9. Use the down arrow ▼ button to scroll to [Clean up debug information](#), and then press the **OK** button.
  10. Use the down arrow ▼ button to scroll to [Off](#), and then press the **OK** button.
  11. Use the down arrow ▼ button to scroll to [Export to USB](#), and then press the **OK** button. Wait for the operation to complete.
  12. Remove the USB drive.
- c. Verify that the control panel is correctly functioning by accessing the control panel diagnostics. See the Control-panel checks section of the printer *Troubleshooting Manual*.

---

 **TIP:** The LED on the formatter will blink if the control panel is not detected or the cables are not properly seated.

---


If the control panel does not respond to the diagnostic button, try the following:

- Turn the printer power off.
  - Reseat the cable connections on the bottom of the control-panel assembly and the control-panel connectors at the formatter.
  - Turn the printer power on, and then check for functionality of the control-panel.
- d. If the error persists, replace the control-panel assembly.
2. The control panel should indicate a [Ready](#), [Paused](#), or [Sleep mode on](#) status. If an error message displays, resolve the error.
    - Try using the Power-on checks section in the printer *Troubleshooting Manual* to solve the problem.
  3. For network connection errors, check the cables.
    - a. Check the network cable connections between the printer and the computer or network port. Make sure that the connections are secure.
    - b. Make sure that the cables are not faulty by trying different cables, if possible.
    - c. Check the network connection. Verify that the port is active.
  4. Print a configuration page. If the printer is connected to a network, an HP Jetdirect page also prints.

### Print a configuration page from a touchscreen control panel

- a. From the [Home](#) screen on the printer control panel, scroll to and touch the [Administration](#) button.
- b. Open the following menus:
  - [Reports](#)
  - [Configuration/Status Pages](#)
  - [Configuration Page](#)
- c. Touch [Configuration Page](#) to select it.
- d. Touch the [Print](#) button to print the pages.

---


 **TIP:** Multiple report pages can be selected, and then printed together.

---

### Print a configuration page from an LCD control panel

- a. From the [Home](#) screen on the printer control panel, use the down arrow ▼ button to scroll to [Administration](#), and then press the [OK](#) button.
- b. If necessary, use the down arrow ▼ button to scroll to [Reports](#), and then press the [OK](#) button.
- c. If necessary, use the down arrow ▼ button to scroll to [Configuration/Status Pages](#), and then press the [OK](#) button.
- d. Use the down arrow ▼ button to scroll to [Configuration page](#), and then press the [OK](#) button to select it.
- e. Use the up arrow ▲ button to scroll to [Print](#), and then press the [OK](#) button to print the pages.


---

 **TIP:** Multiple report pages can be selected, and then printed together.

---

- If the pages do not print, check that at least one tray contains paper.

---

 **TIP:** Make sure that the selected paper size and type meet HP specifications. Also open the **Trays** menu on the printer control panel and verify that the tray is configured correctly for the paper type and size.

---

- If the page jams in the printer, follow the instructions on the control panel to clear the jam.
- If the page does not print correctly, the problem is with the printer hardware.
- If the page prints correctly, the printer hardware is working. The problem is with the host computer, with the print driver, or with the program.

5. Print a supplies status page and then check that the maintenance items below are not at their end-of-life.

---

 **TIP:** If a maintenance item needs to be replaced, order the part number provided below.

---

### Print a supplies status page from a touchscreen control panel

- a. From the [Home](#) screen on the printer control panel, scroll to and touch the [Administration](#) button.
- b. Open the following menus:

- Reports
  - Configuration/Status Pages
  - Supplies Status Page
- c. Touch the **Print** button to print the page, and then check the maintenance items (listed below in this step).

**Print a supplies status page from an LCD control panel**

- a. From the **Home** screen on the printer control panel, use the down arrow ▼ button to scroll to **Administration**, and then press the **OK** button.
- b. If necessary, use the down arrow ▼ button to scroll to **Reports**, and then press the **OK** button.
- c. If necessary, use the down arrow ▼ button to scroll to **Configuration/Status Pages**, and then press the **OK** button.
- d. Use the down arrow ▼ button to scroll to **Supplies Status Page**, and then press the **OK** button to select it.
- e. Use the up arrow ▲ button to scroll to **Print**, and then press the **OK** button to print the page, and then check the maintenance items (listed below in this step).



**NOTE:** HP long-life consumables and maintenance kit life specifications are estimations. Actual individual life/yield during normal use varies depending on usage, environment, media, and other factors. Estimated life is not an implied guarantee or warrantable.

- Fuser kit; estimated life: 150,000 images (depending on usage and average number of pages per job)
    - B5L35-67902 (110V)
    - B5L36-67902 (220V)
  - Document feeder maintenance kit; estimated life: 75,000 pages
    - B5L52-67903
6. Verify that the correct print driver for this printer is installed. Check the program to make sure that the print driver for this printer is used. The print driver is on the CD that came with the printer, or can be downloaded from this Web site: [www.hp.com/support/colorljM552](http://www.hp.com/support/colorljM552), [www.hp.com/support/colorljM553](http://www.hp.com/support/colorljM553), [www.hp.com/support/colorljM577MFP](http://www.hp.com/support/colorljM577MFP).
  7. Print a short document from a different program that has worked in the past. If this solution works, the problem is with the program. If this solution does not work (the document does not print), complete these steps:
    - a. Try printing the job from another computer that has the printer software installed.
    - b. If the printer is connected to the network, connect the printer directly to a host computer with a USB cable. Redirect the printer to the correct port, or reinstall the software (make sure to select the new connection type).


## Print the configuration page

 **NOTE:** Depending on the model, up to three pages print when printing a configuration page. In addition to the main configuration page, the HP embedded Jetdirect configuration pages print.

---

### Print the configuration page from a touchscreen control panel


1. From the [Home](#) screen on the printer control panel, scroll to and touch the [Administration](#) button.
2. Open the following menus:
  - [Reports](#)
  - [Configuration/Status Pages](#)
3. Touch [Configuration Page](#) to select it.
4. Touch the [Print](#) button to print the pages.

 **TIP:** Multiple report pages can be selected, and then printed together.

---

### Print the configuration page from an LCD control panel

1. From the [Home](#) screen on the printer control panel, use the down arrow ▼ button to scroll to [Administration](#), and then press the [OK](#) button.
2. Open the following menus:
  - [Reports](#)
  - [Configuration/Status Pages](#)
3. Use the down arrow ▼ button to scroll to [Configuration Page](#), and then press the [OK](#) button to select it.
4. Use the up arrow ▲ button to scroll to [Print](#), and then press the [OK](#) button to print the pages.

 **TIP:** Multiple report pages can be selected, and then printed together.


---

## Print menu map

To more easily navigate individual settings, print a report of the complete [Administration](#) menu.

### Print the menu map from a touchscreen control panel

1. From the [Home](#) screen on the printer control panel, scroll to and touch the [Administration](#) button.
2. Open the following menus:
  - [Reports](#)
  - [Configuration/Status Pages](#)
3. Select the [Administration Menu Map](#) option.
4. Touch the [Print](#) button to print the report.


 **TIP:** Multiple report pages can be selected, and then printed together.

---

### Print the menu map from an LCD control panel

1. From the [Home](#) screen on the printer control panel, use the down arrow ▼ button to scroll to [Administration](#), and then press the [OK](#) button.
2. Open the following menus:
  - [Reports](#)
  - [Configuration/Status Pages](#)
3. Use the down arrow ▼ button to scroll to [Administration Menu Map](#), and then press the [OK](#) button to select it.
4. Use the up arrow ▲ button to scroll to [Print](#), and then press the [OK](#) button to print the pages.

---

 **TIP:** Multiple report pages can be selected, and then printed together.

---


### Print current settings pages

Printing the current settings page provides a map of the user configurable settings that might be helpful in the troubleshooting process.

#### Print the current settings page from a touchscreen control panel

1. From the [Home](#) screen on the printer control panel, scroll to and touch the [Administration](#) button.
2. Open the following menus:
  - [Reports](#)
  - [Configuration/Status Pages](#)
3. Select the [Current Settings Page](#) option.
4. Touch the [Print](#) button to print the report.

---


 **TIP:** Multiple report pages can be selected, and then printed together.

---

#### Print the current settings page from an LCD control panel

1. From the [Home](#) screen on the printer control panel, use the down arrow ▼ button to scroll to [Administration](#), and then press the [OK](#) button.
2. Open the following menus:
  - [Reports](#)
  - [Configuration/Status Pages](#)
3. Use the down arrow ▼ button to scroll to [Current Settings Page](#), and then press the [OK](#) button to select it.
4. Use the up arrow ▲ button to scroll to [Print](#), and then press the [OK](#) button to print the pages.

---

 **TIP:** Multiple report pages can be selected, and then printed together.

---

## Print event log

Printing the event log might be helpful in the troubleshooting process. For more information, see the Interpret control-panel messages and event log entries section in the printer troubleshooting manual.

### Print the event log from the Administration menu from a touchscreen control panel

1. From the [Home](#) screen on the printer control panel, scroll to and touch the [Administration](#) button.
2. Open the following menus:
  - [Troubleshooting](#)
  - [Event Log](#)
3. The event log displays on the screen. To print it, touch the [Print](#) button.

### Print the event log from the Administration menu from an LCD control panel

1. From the [Home](#) screen on the printer control panel, use the down arrow ▼ button to scroll to [Administration](#), and then press the [OK](#) button.
2. Use the down arrow ▼ button to scroll to [Troubleshooting](#), and then press the [OK](#) button.
3. If necessary, use the down arrow ▼ button to scroll to [Print Event Log](#), and then press the [OK](#) button to print the page.

### Print the event log from the Service menu from a touchscreen control panel

1. From the [Home](#) screen on the printer control panel, scroll to and touch the [Device Maintenance](#) button.
2. Open the [Service](#) menu.
3. On the sign-in screen, select the [Service Access Code](#) option from the drop-down list.
4. Enter the following service access code for the printer:
  - 04055215 (M552)
  - 04055315 (M553)
  - 11057715 (M577)
5. Touch the [Print Event Log](#) or [View Event Log](#) item.

### Print the event log from the Service menu from an LCD control panel

1. From the [Home](#) screen on the printer control panel, use the down arrow ▼ button to scroll to [Device Maintenance](#), and then press the [OK](#) button.
2. Use the down arrow ▼ button to scroll to [Service](#), and then press the [OK](#) button.
3. On the sign-in screen, use the down arrow ▼ button to scroll to [Service Access Code](#) option and then press the [OK](#) button.
4. Enter the following service access code for the printer:

- 04055215 (M552)
  - 04055315 (M553)
  - 11057715 (M577)
5. If necessary, use the down arrow ▼ button to scroll to [Print Event Log](#), and then press the [OK](#) button to print the page.

#### Clear the event log from a touchscreen control panel

1. From the [Home](#) screen on the printer control panel, scroll to and touch the [Device Maintenance](#) button.
2. Open the [Service](#) menu.
3. On the sign-in screen, select the [Service Access Code](#) option from the drop-down list.
4. Enter the following service access code for the printer:
  - 04055215 (M552)
  - 04055315 (M553)
  - 11057715 (M577)
5. Select the [Clear Event Log](#) item, and then touch the [OK](#) button.

#### Clear the event log from an LCD control panel

1. From the [Home](#) screen on the printer control panel, use the down arrow ▼ button to scroll to [Device Maintenance](#), and then press the [OK](#) button.
2. Use the down arrow ▼ button to scroll to [Service](#), and then press the [OK](#) button.
3. On the sign-in screen, use the down arrow ▼ button to scroll to [Service Access Code](#) option and then press the [OK](#) button.
4. Enter the following service access code for the printer:
  - 04055215 (M552)
  - 04055315 (M553)
  - 11057715 (M577)
5. If necessary, use the down arrow ▼ button to scroll to [Clear Event Log](#), and then press the [OK](#) button.

## Pre-boot menu options

The **Pre-boot** menus are available prior to the printer initializing.

**CAUTION:** The **Format Disk** option performs a disk initialization for the entire disk. The operating system, firmware files, and third party files (among other files) will be completely lost. HP does not recommend this action.

**TIP:** The Pre-boot menu can be remotely accessed by using a telnet network protocol to establish an administration connection to the printer. See [Remote Admin on page 98](#).

### Open the Pre-boot menu from a touchscreen control panel

1. Touch in the middle of the control-panel display when you see the **1/8** under the HP logo.

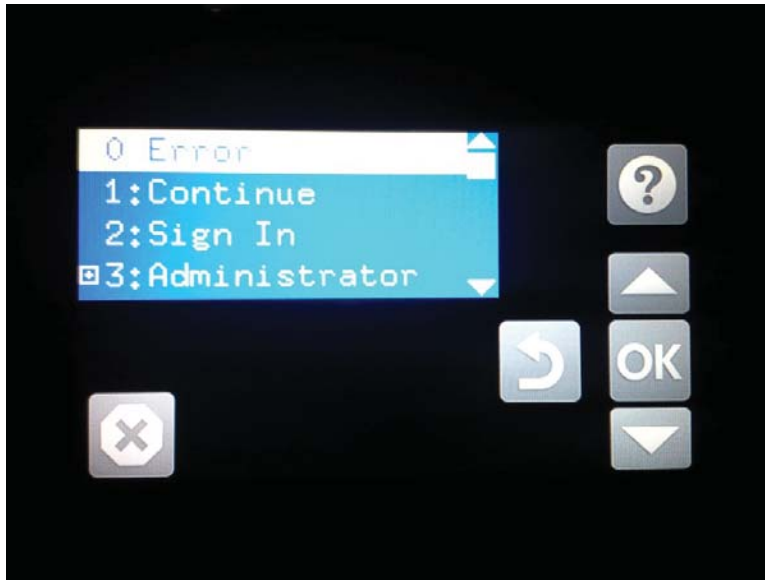
**Figure 2-1** Open the Pre-boot menu





2. On the **Pre-boot** menu screen, use the following buttons to navigate the tests.

**Figure 2-2** Pre-boot menu



Use this button to see more information about a selected item.



Use this button to scroll up through menu items.



Use this button to select a highlighted menu item.



Use this button to scroll down through menu items.



Use this button to go back to the previous menu.




Not used.



Use this button to exit a diagnostic test.

3. Use the arrow buttons on the touchscreen to navigate the **Pre-boot** menu.
4. Touch the **OK** button to select a menu item.

### Open the Pre-boot menu from an LCD control panel

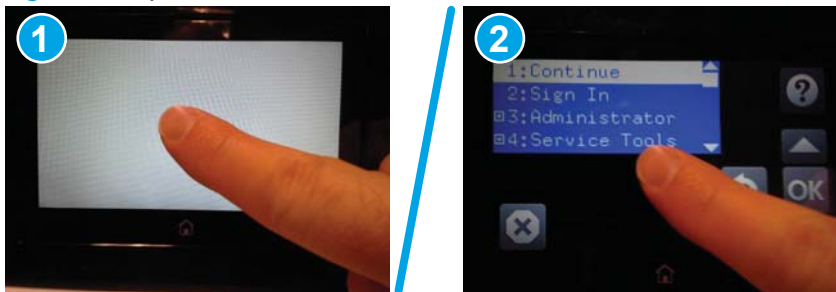
1. Press the **Cancel**  button when you see the **1/8** under the HP logo.
2. Use the arrow buttons on the control panel to navigate the **Pre-boot** menu.
3. Press the **OK** button to select a menu item.

### Cold reset using the Pre-boot menu from a touchscreen control panel

**CAUTION:** This procedure resets all printer configurations and settings to factory defaults (customer configurations and settings are lost).

1. Touch in the middle of the control-panel display when you see the **1/8** under the HP logo.

**Figure 2-3** Open the Pre-boot menu




2. Use the down arrow ▼ button to highlight the **+3:Administrator** item, and then touch the **OK** button.
3. Use the down arrow ▼ button to highlight the **+8:Startup Options** item, and then touch the **OK** button.
4. Use the down arrow ▼ button to highlight the **2 Cold Reset** item, and then touch the **OK** button to select it.
5. Touch the Home button to return to the main **Pre-boot** menu and highlight the **1:Continue** item, and then touch the **OK** button.

**NOTE:** The printer will initialize.

### Cold reset using the Pre-boot menu from an LCD control panel

**CAUTION:** This procedure resets all printer configurations and settings to factory defaults (customer configurations and settings are lost).

1. Press the **Cancel**  button when you see the **1/8** under the HP logo.
2. Use the ▼ button to highlight the **+3:Administrator** item, and then press the **OK** button.
3. Use the ▼ button to highlight the **+8:Startup Options** item, and then press the **OK** button.

4. Use the down arrow ▼ button to highlight the **2 Cold Reset** item, and then press the **OK** button to select it.
5. Touch the Home button to return to the main **Pre-boot** menu and highlight the **1:Continue** item, and then touch the **OK** button.

 **NOTE:** The printer will initialize.

**Table 2-1 Pre-boot menu options (1 of 7)**

Menu option	First level	Second level	Third level	Description
Continue				<p>Selecting the <b>Continue</b> item exits the <b>Pre-boot</b> menu and continues the normal boot process.</p> <p>If a selection is not made in the initial menu within 30 seconds, the printer returns to a normal boot (the same as selecting <b>Continue</b>).</p> <p>If the user navigates to another menu, the timeout does not apply.</p>
Sign In				Enter the administrator PIN or service PIN if one is required to open the <b>Pre-boot</b> menu.
Administrator				<p>This item navigates to the <b>Administrator</b> submenus.</p> <p>If authentication is required (and the user is not already signed in) the <b>Sign In</b> prompt displays. The user is required to sign in.</p>
	Download	Network		This item initiates a Pre-boot firmware download process. A USB Thumbdrive option will work on all FutureSmart products. USB or Network connections are not currently supported.
		USB		
		USB Thumbdrive		
Format Disk				<p>This item reinitializes the disk and cleans all disk partitions.</p> <p><b>CAUTION:</b> Selecting the <b>Format Disk</b> item removes <b>all</b> data. A delete confirmation prompt is <b>not</b> provided.</p> <p>The system is <b>not</b> bootable after this action and a <b>99.09.67</b> error displays on the control panel. A firmware download must be performed to return the system to a bootable state.</p>
Partial Clean				<p>This item reinitializes the disk (removing all data except the firmware repository where the master firmware bundle is downloaded and saved).</p> <p><b>CAUTION:</b> Selecting the <b>Partial Clean</b> item removes <b>all</b> data except the firmware repository. A delete confirmation prompt is <b>not</b> provided.</p> <p><b>CAUTION:</b> This procedure resets all printer configurations and settings to factory defaults (customer configurations and settings are lost).</p> <p>This allows a user to reformat the disk by removing the firmware image from the active directory without having to download new firmware code (printer remains bootable).</p>

**Table 2-1 Pre-boot menu options (1 of 7) (continued)**

Menu option	First level	Second level	Third level	Description
Administrator	Change Password			Select this item to set or change the administrator password.
(continued)	Clear Password			Select the <a href="#">Clear Password</a> item to remove a password from the <a href="#">Administrator</a> menu. Before the password is actually cleared, a message will be shown asking to confirm that the password should be cleared. Press the <b>OK</b> button to confirm the action.  When the confirmation prompt displays, press the <b>OK</b> button to clear the password.

**Table 2-2 Pre-boot menu options (2 of 7)**

Menu option	First level	Second level	Third level	Description
Administrator	Manage Disk	Clear disk		Select the <a href="#">Clear disk</a> item to enable using an external device for job storage. Job storage is normally enabled only for the Boot device. This will be grayed out unless the <b>99.09.68</b> error is displayed.
(continued)		Lock Disk		Select the <a href="#">Lock Disk</a> item to lock (mate) a new secure disk to this printer.  The secure disk already locked to this printer will remain accessible to this printer. Use this function to have more than one encrypted disk accessible by the printer when using them interchangeably.  The data stored on the secure disk locked to this printer always remains accessible to this printer.
		Leave Unlocked		Select the <a href="#">Leave Unlocked</a> item to use a new secure disk in an unlocked mode for a single service event. The secure disk that is already locked to this printer will remain accessible to this printer and uses the old disk's encryption password with the new disk.  The secure disk that is already locked to this printer remains accessible to this printer.
		Clear Disk Pwd		Select the <a href="#">Clear Disk Pwd</a> item to continue using the non-secure disk and clear the password associated with the yet-to-be installed secure disk.  <b>CAUTION:</b> Data on the missing secure disk will be permanently inaccessible.
		Retain Password		Select the <a href="#">Retain Password</a> item to use the non-secure disk for this session only, and then search for the missing secure disk in future sessions.
	Boot Device		Secure Erase	Select the <a href="#">Secure Erase</a> item to erase all of the data on the disk and unlock it if required.  This might take a long time.  <b>NOTE:</b> The system will be unusable until the system files are reinstalled. The ATA secure-erase command is a one-pass overwrite, which erases the entire disk including firmware. The disk remains an encrypted disk.

**Table 2-2 Pre-boot menu options (2 of 7) (continued)**

Menu option	First level	Second level	Third level	Description
Administrator (continued)	Manage Disk (continued)		Erase/Unlock	Select the <a href="#">Erase/Unlock</a> item to cryptographically erase all data on the disk and unlock the disk to allow a user to gain access to it from any printer.  <b>NOTE:</b> The system will be unusable until the system files are reinstalled. It erases the encryption key. The encryption key is erased, so the disk becomes a non-encrypted disk.
			Get Status	This item provides disk status information if any is available.

**Table 2-3 Pre-boot menu options (3 of 7)**

Menu option	First level	Second level	Third level	Description
Administrator (continued)	Manage Disk (continued)	Internal Device		Select the <a href="#">Internal Device</a> item to erase the internal device or get a status about the internal device.
			Secure Erase	Select the <a href="#">Secure Erase</a> item to erase all of the data on the disk and unlock it if required.  This might take a long time.  <b>NOTE:</b> The system will be unusable until the system files are reinstalled. The ATA secure-erase command erases the entire disk, including firmware. The disk remains an encrypted disk.
			Erase/Unlock	Select the <a href="#">Erase/Unlock</a> item to cryptographically erase all of the data on disk and unlock the disk to allow the user to gain access to it from any printer.  <b>NOTE:</b> The system will be unusable until the system files are reinstalled. The HP High Performance Secure Hard Disk is erased.
			Get Status	This item provides disk status information if any is available.
		External Device		Select the <a href="#">External Device</a> item to erase the external device or get status about the external device.
			Secure Erase	Select the <a href="#">Secure Erase</a> item to erase all of the data on the disk and unlock it if required.  This might take a long time.  <b>NOTE:</b> The system will be unusable until the system files are reinstalled.  The ATA secure-erase command erases the entire disk, including firmware. The disk remains an encrypted disk.
			Erase/Unlock	Select the <a href="#">Erase/Unlock</a> item to cryptographically erase all of the data on disk and unlock the disk to allow a user to gain access to it from any printer.  <b>NOTE:</b> The system will be unusable until the system files are reinstalled. The encryption key is erased, so the disk becomes a non-encrypted disk.
			Get Status	This item provides disk status information if any is available.

**Table 2-4 Pre-boot menu options (4 of 7)**

Menu option	First level	Second level	Third level	Description
Administrator	Configure LAN	IP Mode [DHCP]		The network can be configured to obtain the network settings from a DHCP server or as static.
(continued)	<b>NOTE:</b> This configuration is only active when the Pre-boot menu is open.			Use this item for automatic IP address acquisition from the DHCP server.
		IP Mode [STATIC]		Use this item to manually assign the network addresses.
			IP Address	Use this item to manually enter the IP addresses.
			Subnet Mask	Use this item to manually enter the subnet mask.
			Default Gateway	Use this item to manually enter the default gateway.
			Save	Select the <b>Save</b> item to save the manual settings.

**Table 2-5 Pre-boot menu options (5 of 7)**

Menu option	First level	Second level	Third level	Description
Administrator	Startup Options			Select the <b>Startup Options</b> item to specify options that can be set for the next time the printer is turned on and initializes to the <b>Ready</b> state.
(continued)		Show Revision		<b>Not currently functional:</b> Select the <b>Show Revision</b> item to allow the printer to initialize and show the firmware version when the printer reaches the <b>Ready</b> state.  Once the printer power is turned on the next time, the <b>Show Revision</b> item is unchecked so that the firmware revision is not shown.
		Cold Reset		Select the <b>Cold Reset</b> item to clear the IP address and all customer settings. (This item also returns all settings to factory defaults.)  <b>NOTE:</b> Items in the <b>Service</b> menu are not reset.
		Skip Disk Load		Select the <b>Skip Disk Load</b> item to disable installed third-party applications.
		Skip Cal		Select the <b>Skip Cal</b> item to skip the printer calibration for the very next power-initialization cycle only.
		Lock Service		<b>CAUTION:</b> Select the <b>Lock Service</b> item to lock the <b>Service</b> menu access (both in the <b>Pre-boot</b> menu and the <b>Device Maintenance</b> menu).  Service personnel must have the administrator remove the <b>Lock Service</b> setting before they can open the <b>Service</b> menu.
		Skip FSCK		Select the <b>Skip FSCK</b> item to disable Chkdisk/ScanVolume during startup.

**Table 2-5 Pre-boot menu options (5 of 7) (continued)**

Menu option	First level	Second level	Third level	Description
Administrator (continued)	Startup Options (continued)	First Power		<p><b>Not currently functional:</b> This item allows the printer to initialize as if it is the first time it has been turned on.</p> <p>For example, the user is prompted to configure first-time settings like date/time, language, and other settings.</p> <p>Select this item so that it is enabled for the next time the printer power is turned on.</p> <p>When the printer power is turned on the next time, this item is unchecked so that the pre-configured settings are used during configuration, and the first-time setting prompt is not used.</p>
		Embedded Jetdirect Off		<p>Select the <a href="#">Embedded Jetdirect Off</a> item to disable the embedded HP Jetdirect.</p> <p>By default this item is unchecked so that HP Jetdirect is always enabled.</p>
		WiFi Accessory		<p>Select the <a href="#">WiFi Accessory</a> item to enable the wireless accessory.</p>

**Table 2-6 Pre-boot menu options (6 of 7)**

Menu option	First level	Second level	Third level	Description
Administrator (continued)	Diagnostics			<p>Diagnostic items are useful to diagnose hardware components and their interface connections. Use these items to troubleshoot specific hardware components, and the interface between them and other components.</p>
		Memory	Do Not Run	<p>Use the <a href="#">Do Not Run</a> item to exclude the <a href="#">Memory</a> diagnostic when executing multiple diagnostics.</p>
			Short	<p>Use the <a href="#">Short</a> item to select a brief memory test.</p> <p><b>NOTE:</b> This test requires about four minutes to execute.</p>
			Long	<p>Use the <a href="#">Long</a> item to select an extended memory test.</p> <p><b>NOTE:</b> This test requires about twenty minutes to execute.</p>
		Disk	Do Not Run	<p>Use the <a href="#">Do Not Run</a> item to exclude the <a href="#">Disk</a> diagnostic when executing multiple diagnostics.</p>
			Short	<p>Use the <a href="#">Short</a> item to select a brief firmware self-test.</p> <p><b>NOTE:</b> This test requires about two or three minutes to execute.</p>
			Long	<p>Use the <a href="#">Long</a> item to select an extended firmware self-test.</p> <p><b>NOTE:</b> This test requires about sixty minutes to execute.</p>

**Table 2-6 Pre-boot menu options (6 of 7) (continued)**

Menu option	First level	Second level	Third level	Description
Administrator (continued)	Diagnostics  (continued)	Disk  (continued)	Optimized	Use the <a href="#">Optimized</a> item to select a test that checks the active sectors on the disk.  <b>NOTE:</b> This test requires about thirty minutes to execute.
			Raw	Use the <a href="#">Raw</a> item to select a test that checks every sector on the disk.  <b>NOTE:</b> This test requires about fifty minutes to execute.
			Smart	Use the <a href="#">Smart</a> item to select a very brief test that checks the drive self-monitoring analysis and reporting technology (SMART) status—the drive detects and reports reliability indicators to help anticipate disk failures (SMART status).
		Run Selected		Select the <a href="#">Run Selected</a> item to execute a selected test.  <b>NOTE:</b> If more than one test is selected, they are executed in sequence.

**Table 2-7 Pre-boot menu options (7 of 7)**

Menu option	First level	Second level	Third level	Description
Administrator (continued)	Remote Admin	Start Telnet		The <a href="#">Remote Admin</a> item allows a service technician to access to the printer Pre-boot menu remotely, and to navigate the menu selections from a remote location.  <b>IMPORTANT:</b> A Remote Admin connection must be initiated by a person that is physically present at the printer.  This person will also need to provide a randomly generated PIN to the remote service technician.  <b>NOTE:</b> For more information about using the <a href="#">Remote Admin</a> function, see <a href="#">Remote Admin on page 98</a> .
		Stop Telnet		
		Refresh IP		
	System Triage	Copy Logs		If the device will not boot to the <b>Ready</b> state, or the diagnostic log feature found in the <a href="#">Troubleshooting</a> menu is not accessible, then use the <a href="#">System Triage</a> item to copy the diagnostic logs to a USB flash drive at the next printer start up.  The files can then be sent to HP to help diagnose the problem.
	Change Svc PWD			Use this item to change the <a href="#">Service</a> menu personal identification number (PIN).
	Reset Svc PWD			If the <a href="#">Service</a> menu personal identification number (PIN) has been changed, use this item to reset it to the original PIN.



**Table 2-7 Pre-boot menu options (7 of 7) (continued)**

Menu option	First level	Second level	Third level	Description
Service Tools				This item requires the service access code. If the printer does not reach the <b>Ready</b> state, use this item to print the error logs. The logs can be copied to a USB storage accessory when the printer is initialized. Send these files to HP to help troubleshoot the cause of the problem.
	Reset Password			Use this item to reset the Pre-boot administrator password.
	Subsystems			For manufacturing use only. Do not change these values.
Developer Tools	Netexec			

## Remote Admin

The Remote Admin feature allows remote access to the printer Pre-boot menu (BIOS environment). The printer functions as a telnet server, which uses the telnet networking protocol to transmit text data. Any computer (with telnet installed and enabled) can function as the telnet client to remotely display and interact with the Pre-boot menu.



---

**IMPORTANT:** While the Remote Admin function allows remote access to the Pre-boot menu, for security reasons, the Remote Admin connection must be initiated by a person that is physically present at the printer.

---

This section describes the following Remote Admin items.

- [Required software and network connection](#)
- [Connect a remote connection](#)
- [Disconnect a remote connection](#)

### Required software and network connection

Before using the Remote Admin feature, make sure that the telnet network protocol is installed, and enabled, on the remote telnet client computer.



---

**NOTE:** This section describes enabling and configuring the telnet feature for computers using a Windows® operating system.

---


HP recommends that the telnet client computer be a Windows-based system, however, there are other operating systems that support the telnet network protocol. For information about enabling and configuring the telnet network protocol for other operating systems, see the owner's manual for that operating system.

---

## Telnet client

### Enable the Windows telnet client

All computers using the Windows operating system have the telnet client installed, however, the telnet client function might not be enabled by default.

 **NOTE:** The figures and menus in this section are for the Windows 7 Enterprise® operating system. Screens and menu selections might vary slightly for other operating systems.

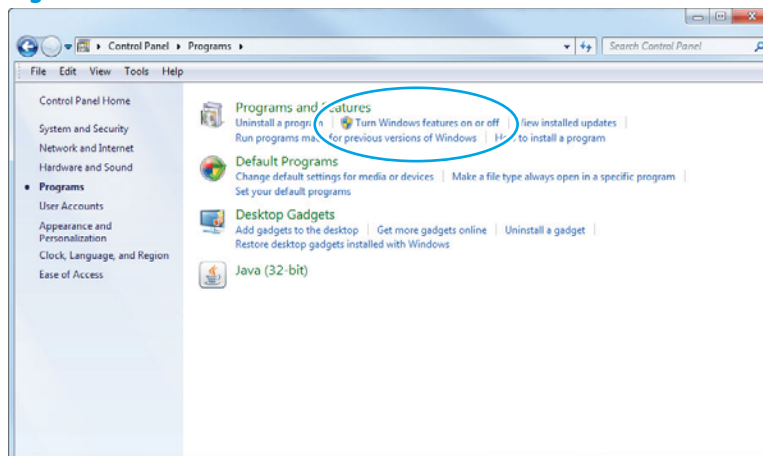
1. Use the **Start** menu to open the **Control Panel**, and then click the **Programs** item to select it.

**Figure 2-4** Open the Control Panel




2. Click the **Turn Windows features on or off** item to select it.

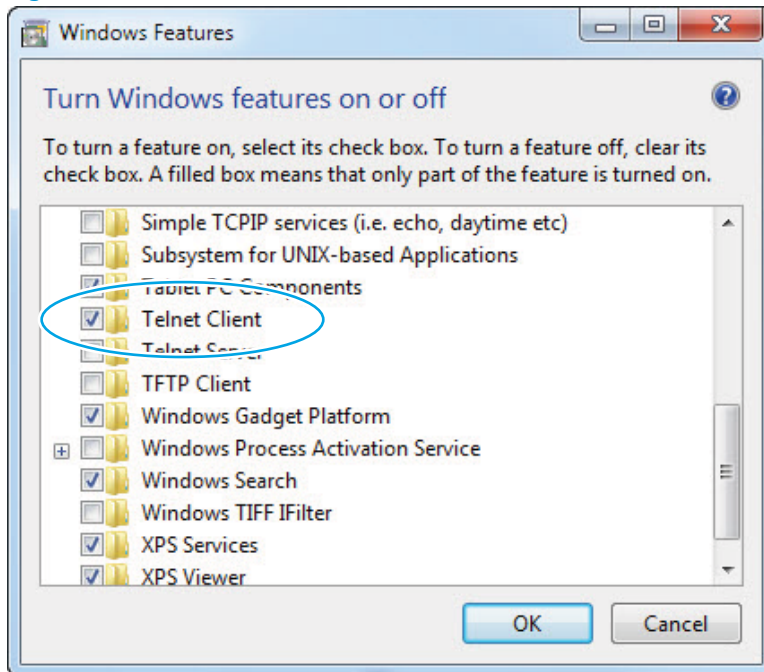
**Figure 2-5** Turn Windows features on or off



3. In the **Windows Features** box, scroll down to **Telnet Client**. If the check box is not checked, click the box to select it, and then click the **OK** button.

 **TIP:** If the check box is already checked then the telnet client function is already enabled. Click the **Cancel** button.

**Figure 2-6** Enable the telnet client feature



### Network connection


The remote telnet client computer must have direct network access to the printer for the Remote Admin function to operate. This means that the telnet client computer must be on the same network as the printer. The Remote Admin function cannot be accessed through a network firewall or other remote access network security programs.

If a private network is not accessible, ask the network administrator to set up a virtual private network (VPN) connection to the network.

### Connect a remote connection

#### Start the telnet server function at the printer

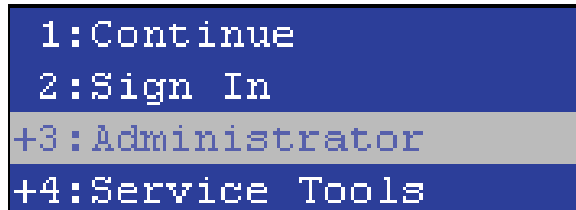
For security reasons the Remote Admin feature must be initiated by a person that is physically present at the printer. The following steps must be performed by a person that is physically present at the printer.

 **NOTE:** This person might need to sign in with an administrator or service password depending on how the printer is configured.

1. Turn the printer on.
2. The HP logo displays on the printer control panel. When a **1/8** displays below the logo, touch in the middle of the control-panel display to open the **Pre-boot** menu.

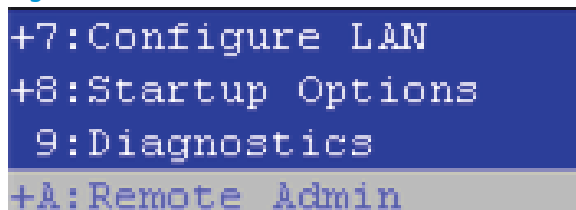
3. Use the arrow buttons on the touchscreen to scroll down and highlight the **+3:Administrator** item, and then touch the **OK** button to select it.

**Figure 2-7** Select the +3:Administrator item



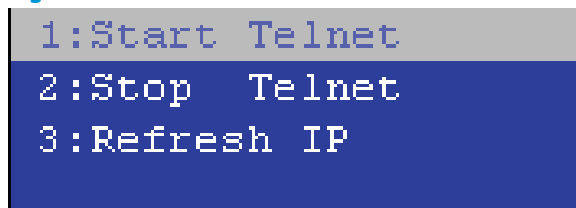
4. Use the arrow buttons on the touchscreen to scroll down and highlight the **+A:Remote Admin** item, and then touch the **OK** button to select it.

**Figure 2-8** Select the +A:Remote Admin item



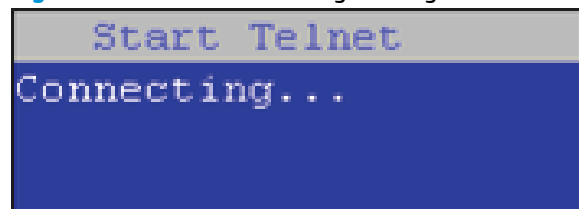
5. Use the arrow buttons on the touchscreen to scroll down and highlight the **1:Start Telnet** item, and then touch the **OK** button to select it.

**Figure 2-9** Select the 1:Start Telnet item



6. Do one of the following
  - If a connecting message displays briefly, go to step [7](#).

**Figure 2-10** Telnet connecting message



- If an error message displays, use the steps below to identify the problem.

**Figure 2-11** Telnet error message

```
Start Telnet
Unable to connect
Contact network
administrator.
```

- a. The printer network cable is not correctly connected BIOS LAN settings are incorrect.
    - The printer should be configured to use a static IP address, but is configured to use DHCP instead.
    - The printer is configured to use a static IP address, but the IP address is incorrect.
  - b. The printer is correctly configured to use DHCP, but the DHCP server is not turned on or is malfunctioning.
7. When the printer telnet server function is initialized, the following screen appears. Use the information on this screen to connect the remote telnet client computer to the printer.



**NOTE:** The printer is now ready to receive remote telnet client commands.

- **IP:** The static or dynamically allocated IP address for the printer.
- **Port:** The standard telnet port (23).
- **Pin:** A randomly generated 4-digit personal identification number (PIN).

**Figure 2-12** Telnet server function initialized

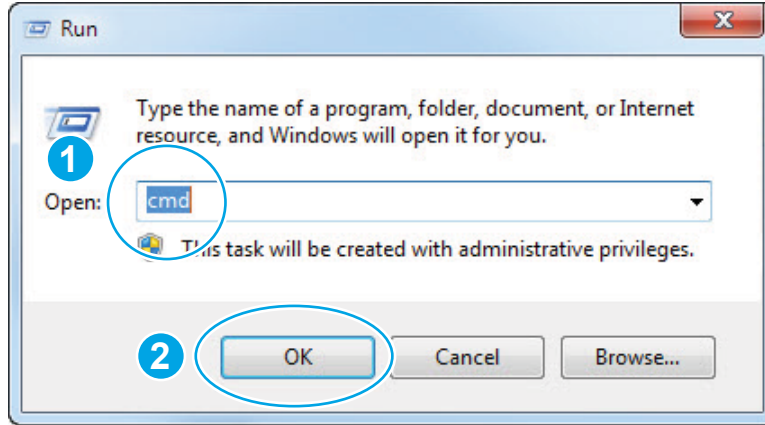
```
Start Telnet
IP: 16.88.109.66
Port: 23
Pin : 4031
```

### Start the telnet client function at the remote computer

The following steps establish a Remote Admin connection from a remote computer to the printer.

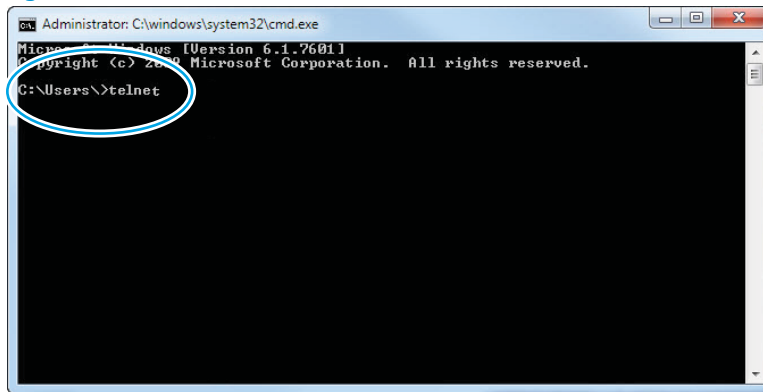
1. From the **Start** menu click **Run** to open a dialog box, type `cmd` in the **Open** field, and then click the **OK** button to open a Windows command window.

**Figure 2-13** Open a command window





2. From any displayed directory, type `telnet` at the prompt, and then press the **Enter** key.

**Figure 2-14** Start a telnet session

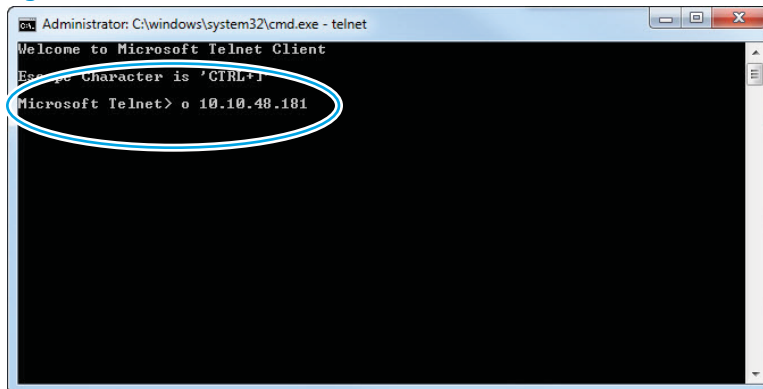


3. Type `<IP ADDRESS>` at the telnet prompt, and then press the **Enter** key.


 **NOTE:** For `<IP ADDRESS>`, substitute the IP address that was displayed in step 7 in [Start the telnet server function at the printer on page 100](#).

 **TIP:** If the telnet connection fails to establish a connection, the printer is probably behind a firewall or on a different network than the remote telnet client computer. See [Network connection on page 100](#).

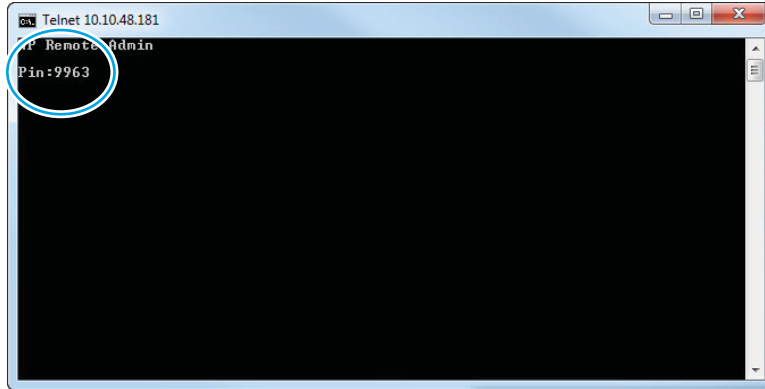
**Figure 2-15** Establish a telnet connection




4. Type the PIN that was displayed in step 7 in [Start the telnet server function at the printer on page 100](#) at the prompt, and then press the **Enter** key.

 **IMPORTANT:** Make sure to type the PIN correctly. After five incorrect PIN entries, the printer terminates the Remote Admin connection. The Remote Admin feature must be re-initiated at the printer. See [Start the telnet server function at the printer on page 100](#).

**Figure 2-16** Enter the PIN

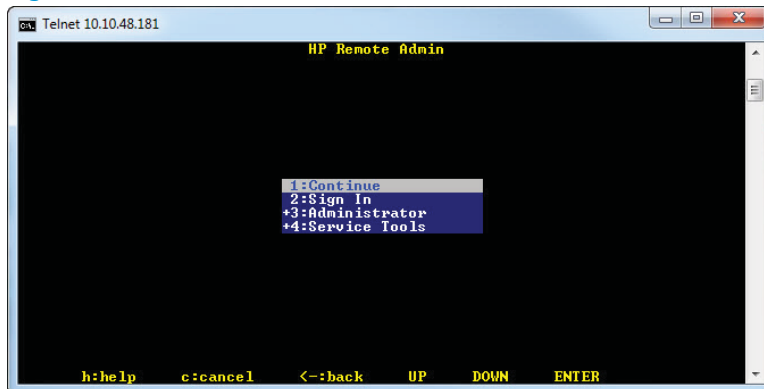


5. The following screen displays when the correct PIN is entered and the Remote Admin connection is successful. For information about the Pre-boot menu and options, see [Pre-boot menu options on page 88](#).

 **NOTE:** Because a Remote Admin connection is an unsecure telnet network protocol connection, the following Pre-boot menu items are disabled for the remote telnet client computer.


- The **+3:Administrator** menu **4:Change Password** item.
- The **+3:Administrator** menu **5:Clear Password** item.
- The **+3:Administrator** menu **6:Disk Manage** item.

**Figure 2-17** Remote Admin window



## Disconnect a remote connection

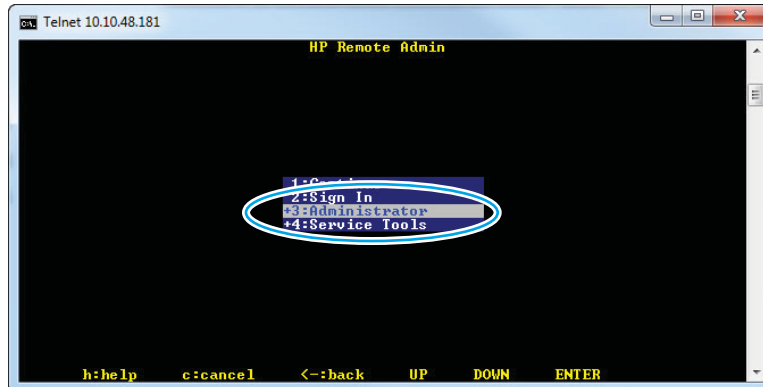
The Remote Admin connection can be terminated from the printer control panel or the remote telnet client computer.

 **NOTE:** The following procedure describes terminating a Remote Admin connection from the remote telnet client computer.



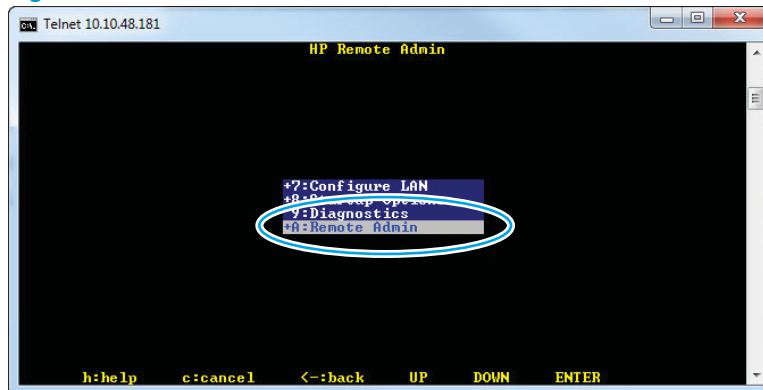
1. From the Pre-boot main menu, use the arrow buttons on the keyboard to scroll down to the **+3:Administrator** item, and then press the **Enter** key.

**Figure 2-18** Access the administrator menu




2. Use the arrow buttons on the keyboard to scroll down to the **+A:Remote Admin** item, and then press the **Enter** key.

**Figure 2-19** Access the remote admin menu

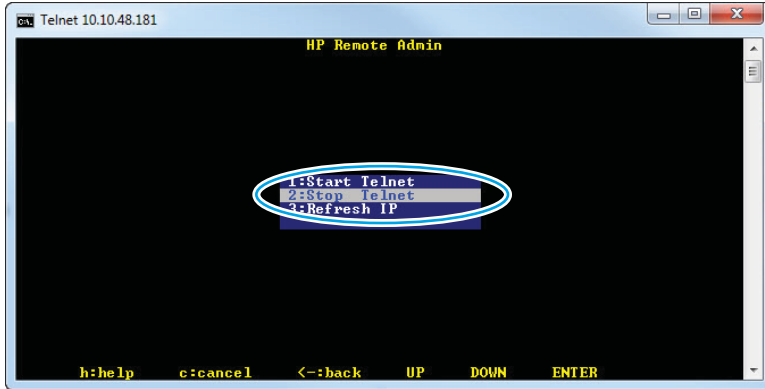


3. Use the arrow buttons on the keyboard to scroll down to the **2:Stop Telnet** item, and then press the **Enter** key. The Remote Admin connection between the printer and the remote telnet client computer terminates.

 **IMPORTANT:** The printer remains in the Pre-boot menu. Have the person that is physically present at the printer do the following:

- Touch the **Home** button to return to the main Pre-boot menu and highlight the **1:Continue** item, and then touch the **OK** button. The printer will continue to initialize.

**Figure 2-20** Terminate the telnet connection



# Troubleshooting process

- [Determine the problem source](#)
- [Power subsystem](#)
- [Control panel checks](#)

## Determine the problem source

When the printer malfunctions or encounters an unexpected situation, the printer control panel alerts the user to the situation. This section contains a pre-troubleshooting checklist and a troubleshooting flow chart to filter out many possible causes of the problem. Use the pre-troubleshooting checklist to gather information about the problem from the customer. Use the troubleshooting flowchart to help diagnose the root cause of the problem. The remainder of this chapter provides steps for correcting problems.

- Use the pre-troubleshooting check list to gather information about the problem from the customer. See [Pre-troubleshooting checklist on page 107](#).
- Use the troubleshooting flowchart to pinpoint the root cause of hardware malfunctions. The flowchart provides guides to the section of this chapter that contain steps to correct the malfunction. See [Troubleshooting flowchart on page 108](#).

Before beginning any troubleshooting procedure, check the following issues:

- Are supply items within their rated life?
- Does the configuration page reveal any configuration errors?



**NOTE:** The customer is responsible for checking supplies and for using supplies that are in good condition.

## Pre-troubleshooting checklist

The following table includes basic questions to ask the customer to quickly help define the problem(s).

General topic	Questions
Environment	<ul style="list-style-type: none"><li>• Is the printer installed on a solid, level surface (+/- 1°)?</li><li>• Is the power-supply voltage within ± 10 volts of the specified power source?</li><li>• Is the power-supply plug inserted in the printer and the outlet?</li><li>• Is the operating environment within the specified parameters?</li><li>• Is the printer exposed to ammonia gas, such as that produced by diazo copiers or office cleaning materials? <b>NOTE:</b> Diazo copiers produce ammonia gas as part of the copying processes. Ammonia gas (from cleaning supplies or a diazo copier) can have an adverse effect on some printer components (for example, the toner cartridge or cartridges OPC).</li><li>• Is the printer exposed to direct sunlight?</li></ul>
Media	<ul style="list-style-type: none"><li>• Does the customer use only supported media?</li><li>• Is the media in good condition (no curls, folds, or distortion)?</li><li>• Is the media stored correctly and within environmental limits?</li></ul>

General topic	Questions
Input trays	<ul style="list-style-type: none"> <li>Is the amount of media in the tray within specifications?</li> <li>Is the media correctly placed in the tray?</li> <li>Are the paper guides aligned with the stack?</li> <li>Is the tray (or trays) correctly installed in the printer?</li> </ul>
Toner cartridge	<ul style="list-style-type: none"> <li>Is the toner cartridge (or cartridges) installed correctly?</li> </ul>
Transfer unit and fuser	<ul style="list-style-type: none"> <li>Are the transfer unit and fuser installed correctly?</li> </ul> <p><b>NOTE:</b> For printers with an intermediate transfer belt (ITB), is the ITB installed correctly and fully seated. If a replacement ITB was installed, was all of the packing materials removed?</p>
Covers	<ul style="list-style-type: none"> <li>Is the toner cartridge door closed?</li> </ul>
Condensation	<ul style="list-style-type: none"> <li>Does condensation occur following a temperature change (particularly in winter following cold storage)? If so, wipe affected parts dry or leave the printer on for 10 to 20 minutes.</li> <li>Was a toner cartridge (or cartridges) opened soon after being moved from a cold to a warm room? If so, allow the toner cartridge (or cartridges) to sit at room temperature for 1 to 2 hours.</li> </ul>
Miscellaneous	<ul style="list-style-type: none"> <li>Check for and remove any non-HP components (toner cartridges, memory modules, and EIO cards) from the printer.</li> <li>Remove the printer from the network and ensure that the failure is associated with the printer before beginning troubleshooting.</li> <li>For any color print-quality issues, calibrate the printer.</li> </ul>

## Troubleshooting flowchart

This flowchart highlights the general processes to follow to quickly isolate and solve printer hardware problems.

Each row depicts a major troubleshooting step. Follow a “yes” answer to a question to proceed to the next major step. A “no” answer indicates that more testing is needed. Go to the appropriate section in this chapter, and follow the instructions there. After completing the instructions, go to the next major step in this troubleshooting flowchart.

**Table 2-8 Troubleshooting flowchart**

<b>1</b> <b>Power on</b>	Is the printer on and does a readable message display?	Follow the power-on troubleshooting checks. See <a href="#">Power subsystem on page 109</a> .
	Yes ↓	No →
<b>2</b> <b>Control panel messages</b>	Does the message <b>Ready</b> display on the control panel?	After the errors have been corrected, go to step 3.
	Yes ↓	No →

**Table 2-8 Troubleshooting flowchart (continued)**

<b>3</b> <b>Event log</b>	Open the <b>Troubleshooting</b> menu and print an event log to see the history of errors with this printer.  Does the event log print?		If the event log does not print, check for error messages.  If paper jams inside the printer, see the jams section of the printer service manual.  If error messages display on the control panel when trying to print an event log, see the control panel message section of the printer troubleshooting service manual.  After successfully printing and evaluating the event log, see step 4.
	Yes ↓	No →	
<b>4</b> <b>Information pages</b>	Open the <b>Reports</b> menu and print the configuration pages to verify that all the accessories are installed.  Are all the accessories installed?		If accessories that are installed are not listed on the configuration page, remove the accessory and reinstall it.  After evaluating the configuration pages, see step 5.
	Yes ↓	No →	
<b>5</b> <b>Print quality</b>	Does the print quality meet the customer's requirements?		Compare the images with the sample defects in the image defect tables. See the images defects table in the printer repair service manual.  After the print quality is acceptable, see step 6.
	Yes ↓	No →	
<b>6</b> <b>Interface</b>	Can the customer print successfully from the host computer?		Verify that all I/O cables are connected correctly and that a valid IP address is listed on the HP Jetdirect configuration page.  If error messages display on the control panel when trying to print an event log, see the control-panel message section of the printer troubleshooting service manual.  When the customer can print from the host computer, this is the end of the troubleshooting process.
	Yes. This is the end of the troubleshooting process.	No →	

## Power subsystem

### Power-on checks

The basic printer functions should start up when the printer is connected into an electrical outlet and the power switch is pushed to the *on* position. If the printer does not start, use the information in this section to isolate and solve the problem.

If the control panel display remains blank, random patterns display, or asterisks remain on the control panel display, perform power-on checks to find the cause of the problem.

### Power-on troubleshooting overview

During normal operation, a cooling fan begins to spin briefly after the printer power is turned on. Place a hand over the vents in the rear cover, near the formatter. When the fan is correctly operating, air passing out of the printer is felt. Lean close to the printer to hear the fan operating. If the fan is operating, the dc side of the power supply is functioning.

After the fan is operating, the main motor turns on (unless the top cover is open, a jam condition is sensed, or the paper-path sensors are damaged). Visually and audibly determine that the main motor is turned on.

If the fan and main motor are operating correctly, the next troubleshooting step is to isolate printer, formatter, and control panel problems. Perform an engine test. If the formatter is damaged, it might interfere with the engine test. If the engine-test page does not print, try removing the formatter, and then performing

the engine test again. If the engine test is then successful, the problem is almost certainly with the formatter, the control panel, or the cable that connects them.

### Troubleshooting power on problems

1. Verify that power is available to the printer. If the printer is plugged into a surge protector or uninterruptible power supply (UPS), remove it, and then plug the printer directly into a known operating wall receptacle (make sure that the wall receptacle provides the correct voltage and current for the printer).

Unplug any other devices on the same circuit that the printer is using.

2. Try another known operating wall receptacle and a different power cord.
3. Listen for startup noises (fans and motors) and illuminated lights on the control panel.



**NOTE:** Operational fans, motors, and control-panel lights indicate the following:

- AC power is present at the printer.
  - The low-voltage power supply (LVPS) is providing either or both 24 Vdc and 5 Vdc voltages.
  - The DC controller microprocessor is functioning.
- 

4. Check the following:

- a. Turn the printer on, and then listen for startup noises. If normal startup noises are heard, go to step c below.

- b. If normal startup noises are not heard, turn the printer off, and then remove any installed accessories (for example, paper feeders).

Turn the printer on, and then listen for startup noises. If normal startup noises are heard, the problem might be with one of the accessories.

- c. Turn the printer off and then remove the power connector from the formatter. Turn the printer on, and then use a small pointed object (like a paper clip) to depress the test-page switch located on the rear side of the printer (near the formatter).



**NOTE:** The test page can only use Tray 2 as the paper source, so make sure that paper is loaded in Tray 2.

---



- d. If the engine test page prints, the print engine is operating normally.
- e. If the engine test page does not print, replace the low-voltage power supply (LVPS):
  - RM2-7165-000CN (M552, M553)
  - RM2-7164-000CN (M577)
- f. If, after replacing the LVPS, normal startup noises are still not heard, replace the DC controller:
  - RM2-7186-000CN (M552, M553)
  - RM2-7187-000CN (M577)
- g. If after replacing the DC controller normal startup noises are still not heard, replace the fuser power supply (RM2-7125-000CN).



**NOTE:** If the error persists after replacing these assemblies, escalate the problem to the Global Business Unit (GBU).

### Troubleshooting a blank control panel

A blank control panel display can be caused by one or more of the following:

- No power to the printer
- Power supply has tripped (over-current/over-voltage/temperature issue)
- Connectors on the formatter are not fully seated



**TIP:** The three LEDs on the formatter indicate that the printer is functioning correctly.

HP recommends fully troubleshooting the formatter and control panel before replacing either assembly. Use the connectivity LED to troubleshoot formatter and control panel errors to avoid unnecessarily replacing these assemblies. See the LED diagnostics section in the printer troubleshooting manual.


- Faulty component installed on the formatter (for example, memory DIMM or disk drive)
- Control panel connectors not fully seated

- Faulty formatter
- Faulty control panel

**Follow these steps to troubleshoot a blank control panel:**

1. Verify that power is available to the printer. If the printer is plugged into a surge protector or uninterruptible power supply (UPS), remove it, and then plug the printer directly into a known operating wall receptacle (make sure that the wall receptacle provides the correct voltage and current for the printer).
2. Make sure that the power switch is in the *on* position.
3. Make sure that the fan runs briefly, which indicates that the power supply is operational.
4. Make sure that the control-panel display wire harness is connected.
5. Make sure that the formatter connectors are seated. Make sure the power switch is in the on position, and then verify that the heartbeat LED is blinking and that the connectivity LED is illuminated.
6. Remove any external solutions, and then try to turn the printer on again.
7. If the control panel display is blank, but the main cooling fan runs briefly after the printer power is turned on, try printing an engine-test page to determine whether the problem is with the control-panel display, formatter, or other printer assemblies.
  - a. Disconnect all of the formatter connectors.
  - b. Use a small pointed object to depress the test-page switch located on the rear of the printer.

---

 **NOTE:** The test page can only use Tray 2 as the paper source, so make sure that paper is loaded in Tray 2.

---




- c. If the engine test page prints, the print engine is operating normally (a failed engine test print page does not necessarily indicate that the print engine or DC controller is defective).
- d. Use the control-panel diagnostics to test the control panel. See the Control panel checks section in the printer troubleshooting manual. If the error persists, proceed to step [8](#).



8. If the print engine appears to be correctly operating (the engine test page successfully printed) and the control panel is still blank, replace the low-voltage power supply (LVPS)
9. If after replacing the LVPS normal startup noises and lights are still not present, replace the DC controller.


---

 **NOTE:** If the error persists after replacing these assemblies, escalate the problem to the Global Business Unit (GBU).

---

## Control panel checks

---

 **NOTE:** The printer includes a diagnostic test mode for the touchscreen control panel. Diagnostic tests are not available for the LCD control panel.

---

- [Control-panel diagnostics](#)
- [Control panel diagnostic flowcharts \(M553x and M577\)](#)

## Control-panel diagnostics

- [Touchscreen diagnostic mode \(M553x and M577\)](#)
- [Control-panel system diagnostics \(M553x and M577\)](#)

### Touchscreen diagnostic mode (M553x and M577)

Use the diagnostics in this section to test the control-panel hardware and embedded firmware. These tests are useful for checking control-panel functionality independent of the printer control-panel system diagnostics. To test the control panel using the system diagnostics, see [Control-panel system diagnostics \(M553x and M577\) on page 118](#).


1. **M553x only:** Locate the diagnostic-tests access button on the back of the control panel.

**Figure 2-21** Diagnostic-tests access button



- M553x only:** Press the diagnostics-access button. Repeatedly pressing the button cycles through the available diagnostics.

 **NOTE:** A pen, pencil, or other small blunt object is needed to press the button.

 **TIP:** When pressed, the button illuminates green.

**Figure 2-22** Press the diagnostics-access button



- M577 only:** Locate the diagnostic-tests access button on the back of the control panel.

**Figure 2-23** Diagnostic-tests access button




4. **M577 only:** Press the diagnostics-access button. Repeatedly pressing the button cycles through the available diagnostics.


**Figure 2-24** Press the diagnostics-access button



5. A yellow screen appears (after the first press of the button) indicating that the control-panel firmware is version A (a magenta screen indicates version B firmware).

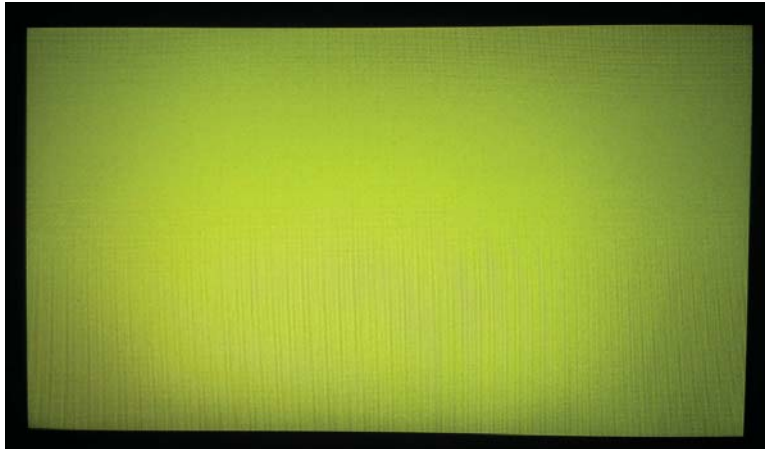
---

 **NOTE:** If a different color appears on the screen, contact your global business unit (GBU) to determine the firmware version.

 **TIP:** After 4 seconds of inactivity, the diagnostic mode times out and is exited.

---

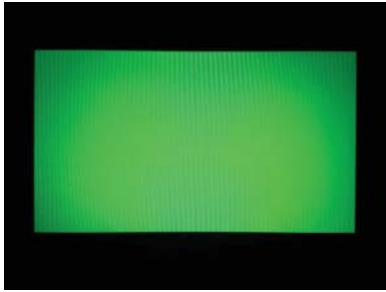
**Figure 2-25** Control-panel version A yellow screen



6. Touch the screen to cycle the screen through the following:
  - A red screen.



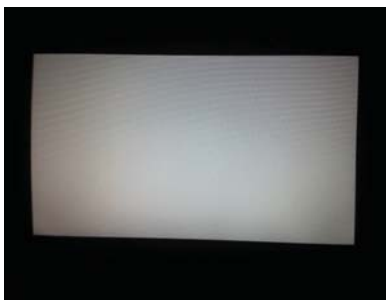
- A green screen.



- A blue screen.



- Five brightness levels of a white screen.



- A final black screen.

---

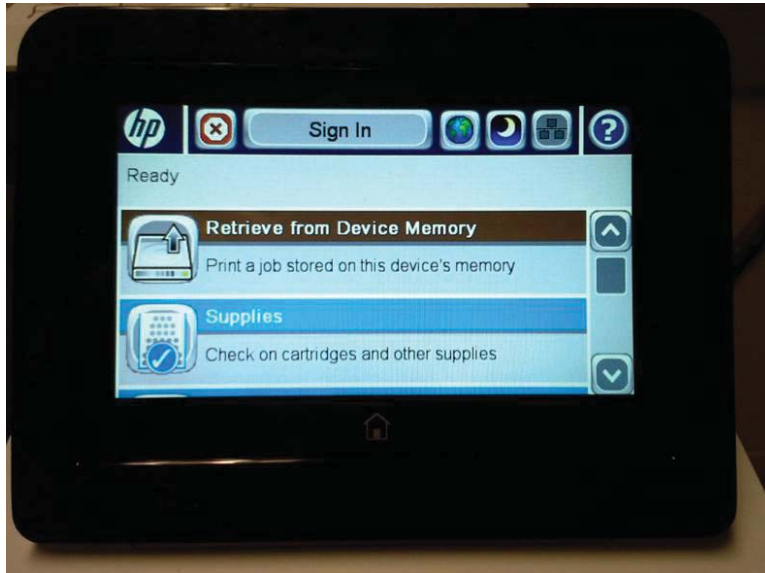
💡 **TIP:** When the final black screen displays, press the Home button to cycle through the diagnostic screens again.

---



7. Pressing the diagnostic-tests button with the black screen displayed, exits the diagnostic mode.

**Figure 2-26** Exit the diagnostic mode



## Control-panel system diagnostics (M553x and M577)

Use the diagnostics in this section to test the control-panel hardware and display using the printer firmware system diagnostics.

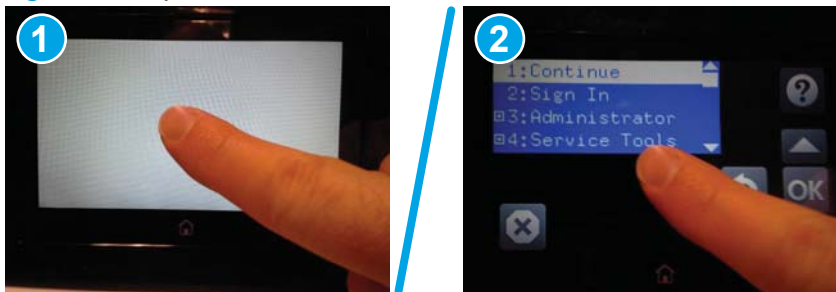
- [Open the control-panel system diagnostic tests](#)
- [Screen test](#)
- [Touch test](#)
- [SoftKey test](#)
- [Backlight test](#)
- [Sound test](#)
- [Keyboard test \(M577 only\)](#)
- [Version](#)

### Open the control-panel system diagnostic tests

#### Open the control-panel system diagnostic tests from a touchscreen control panel

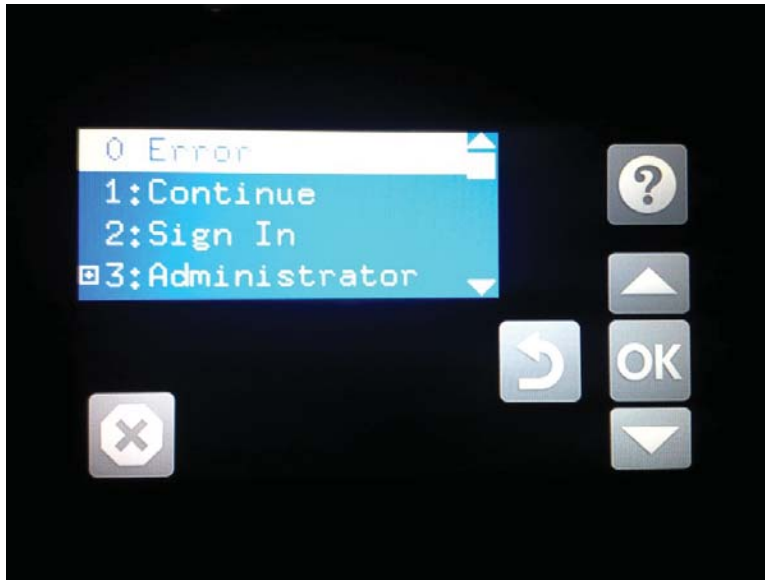
1. Turn the printer power off, and then on again.
2. Touch in the middle of the control-panel display when you see the **1/8** under the HP logo.

**Figure 2-27** Open the Pre-boot menu



3. On the **Pre-boot** menu screen, use the following buttons to navigate the tests.

**Figure 2-28** Pre-boot menu



Use this button to see more information about a selected item.



Use this button to scroll up through menu items.



Use this button to select a highlighted menu item.



Use this button to scroll down through menu items.



Use this button to go back to the previous menu.



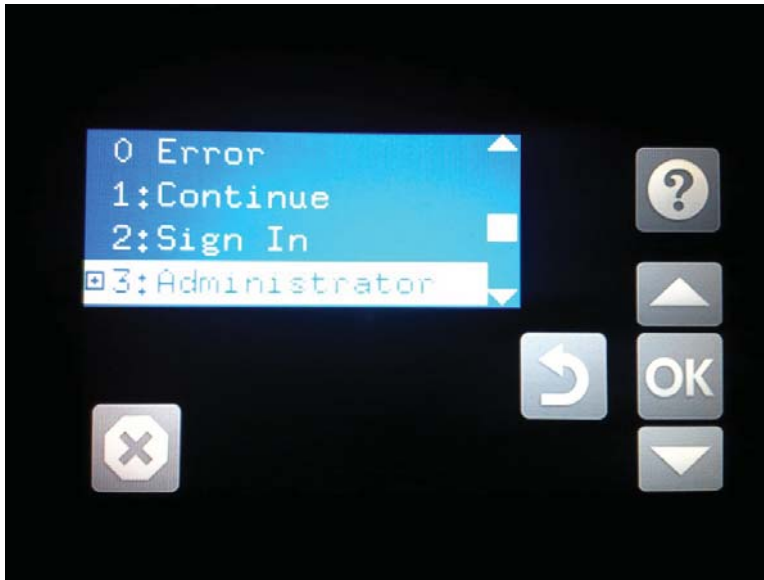
Not used.



Use this button to exit a diagnostic test.

- Use the **down arrow ▼** button to scroll to **+3 Administration**, and then press the **OK** button to select it.

**Figure 2-29** Access the administration menu



- Use the **down arrow ▼** button to scroll to **+E CP Diagnostics**, and then press the **OK** button to select it.

 **NOTE:** An administrator password might be required to continue.

**Figure 2-30** Access the diagnostics menu





## Screen test

1. Open the control-panel system diagnostic tests. See [Open the control-panel system diagnostic tests on page 118](#).
2. With 1 Screen Test highlighted, press the OK button to select it.

**Figure 2-31** Open the screen test



3. The blue vertical gradient screen appears.

**Figure 2-32** Blue vertical gradient screen



4. Touch the touchscreen to scroll though the remaining touchscreen test screens.

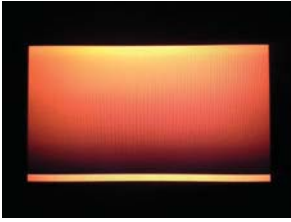
---

 **NOTE:** Touch the Home button to exit the test.

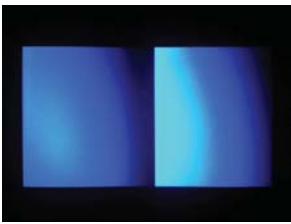
---



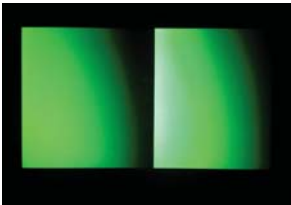
Green vertical gradient



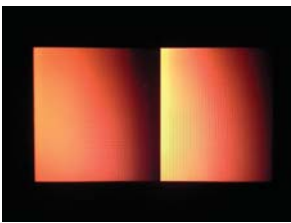
Red vertical gradient



Blue horizontal gradient



Green horizontal gradient



Red horizontal gradient



Blue with black horizontal interlaced

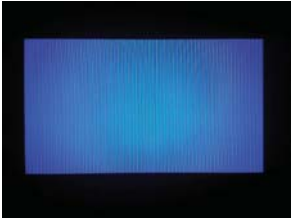


Green with black horizontal interlaced

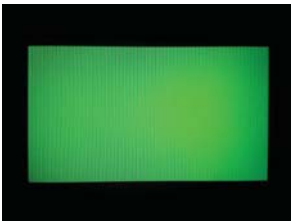
---



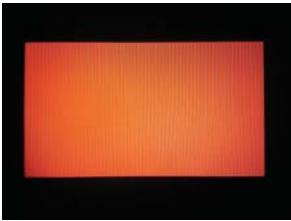
Red with black horizontal interlaced



Blue with black vertical interlaced



Green with black vertical interlaced



Red with black vertical interlaced



Black with white center



White with black center

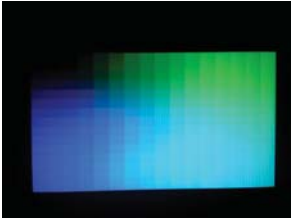


Checkerboard

---



Multicolor stripes



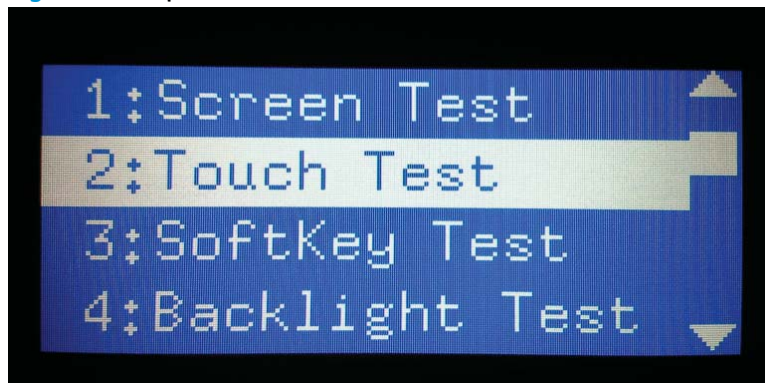
Blue green grid meshing

---

## Touch test

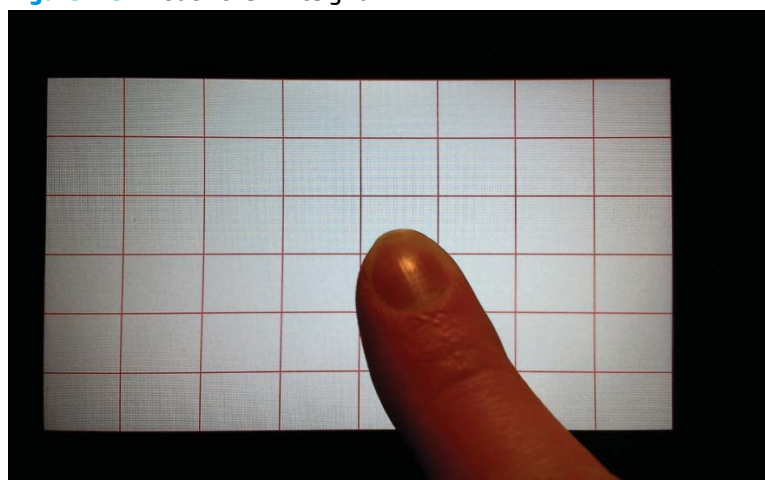
1. Open the control-panel system diagnostic tests. See [Open the control-panel system diagnostic tests on page 118](#).
2. Use the **down arrow ▼** button to scroll to **2 Touch Test**, and then press the **OK** button to select it.

**Figure 2-33** Open the touch test



3. Use your finger to touch the white grid on the display.

**Figure 2-34** Touch the white grid



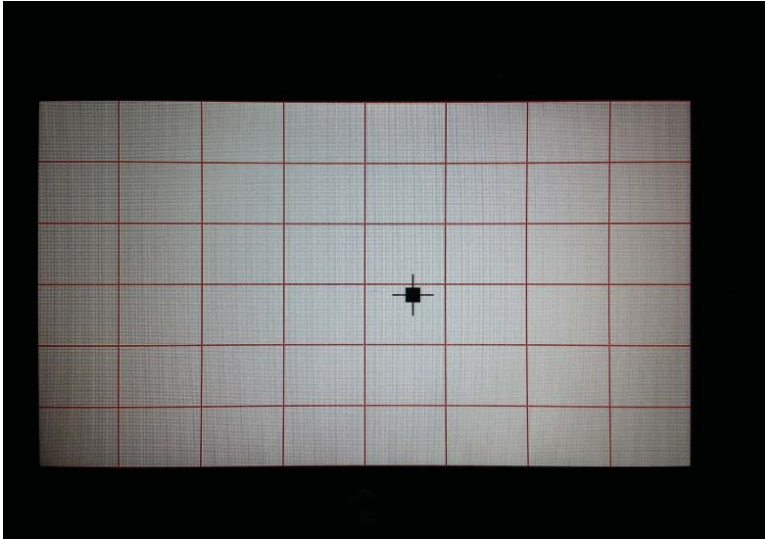
4. A mark appears on the grid where it was touched.

---

 **NOTE:** Touch the Home button to exit the test.

---

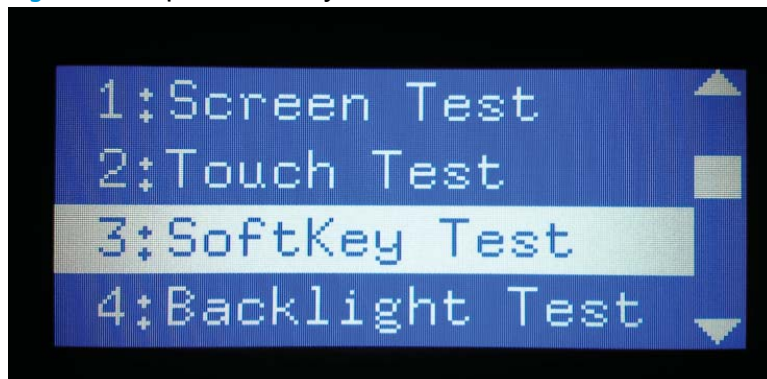
**Figure 2-35** Verify the mark



## SoftKey test

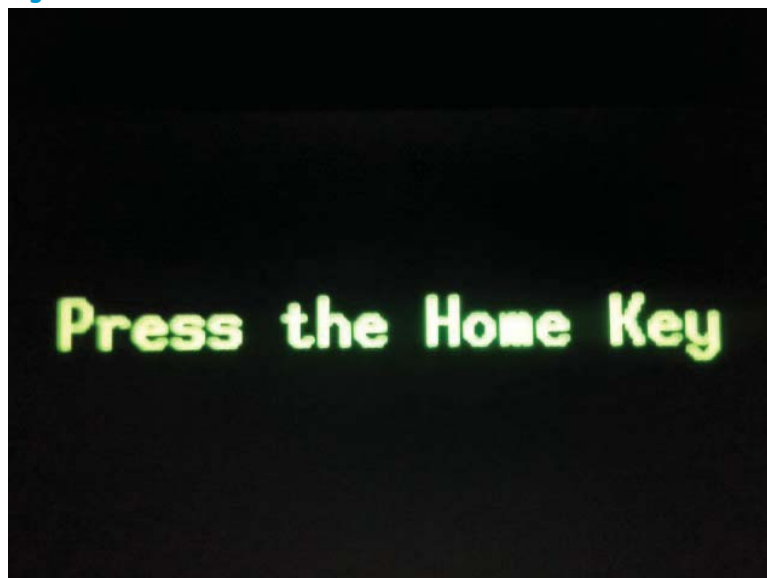
1. Open the control-panel system diagnostic tests. See [Open the control-panel system diagnostic tests on page 118](#).
2. Use the **down arrow ▼** button to scroll to **3 SoftKey Test**, and then press the **OK** button to select it.

**Figure 2-36** Open the softkey test




3. When prompted, touch the Home button.

**Figure 2-37** Touch the Home button

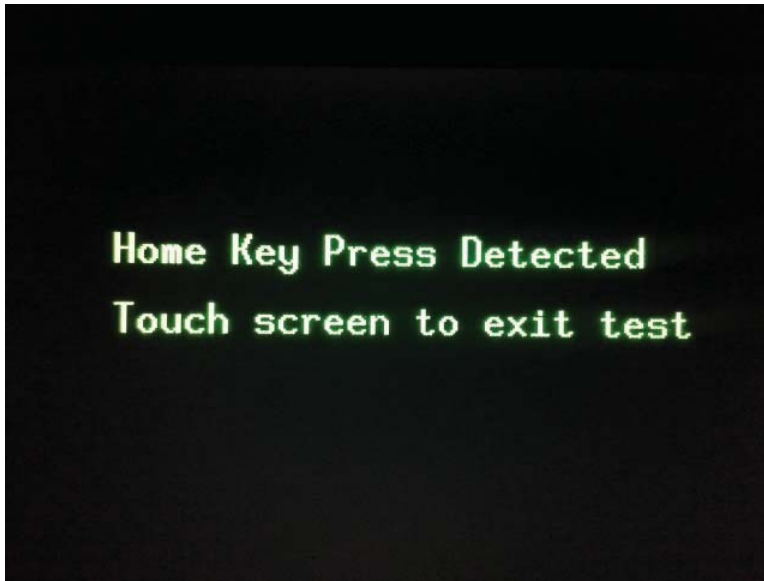


4. If the test is successful, the following screen appears on the display.

 **NOTE:** Touch the screen to exit the test.

---


**Figure 2-38** Successful test





## Backlight test

1. Open the control-panel system diagnostic tests. See [Open the control-panel system diagnostic tests on page 118](#).
2. Use the **down arrow ▼** button to scroll to **4 Backlight Test**, and then press the **OK** button to select it.  
After selecting the **4 Backlight Test**, the screen automatically dims, and then returns to full brightness.

 **NOTE:** Touch any key to exit the test.

**Figure 2-39** Open the backlight test




## Sound test

1. Open the control-panel system diagnostic tests. See [Open the control-panel system diagnostic tests on page 118](#).
2. Use the **down arrow ▼** button to scroll to **5 Sound Test**, and then press the **OK** button to select it.

After selecting the **5 Sound Test**, the printer emits a series of audible tones.

---

 **NOTE:** Touch any key to exit the test.

---

**Figure 2-40** Open the sound test



## Keyboard test (M577 only)

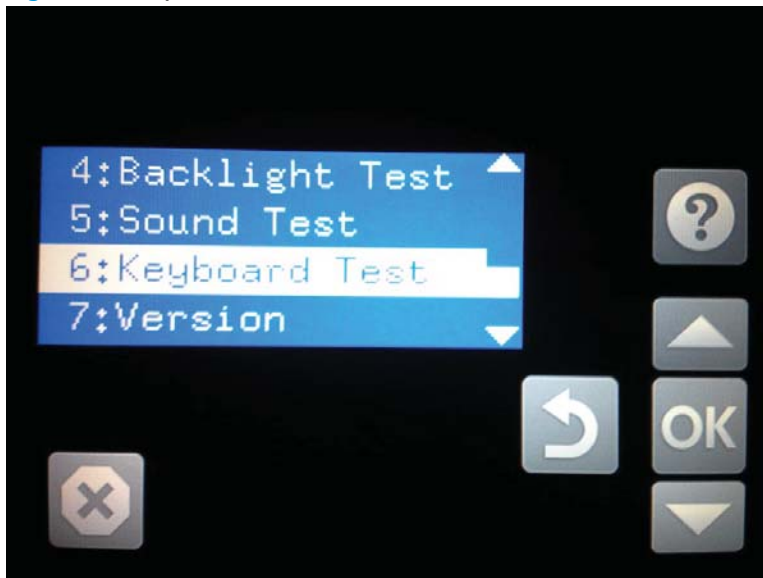
 **IMPORTANT:** This test is **not** valid for the M552 and M553 models, even though this option is present in the control-panel system diagnostic tests menu.

If the **6 Keyboard Test** is opened on the M552 or M553 models, the printer power must be turned off to exit the test.

HP does not recommend turning the printer power off during the control-panel system diagnostic tests.

1. Open the control-panel system diagnostic tests. See [Open the control-panel system diagnostic tests on page 118](#).
2. Use the **down arrow ▼** button to scroll to **6 Keyboard Test**, and then press the **OK** button to select it.


**Figure 2-41** Open the sound test



3. When prompted, touch the H key on the keyboard or the Home button to exit the test.

## Version

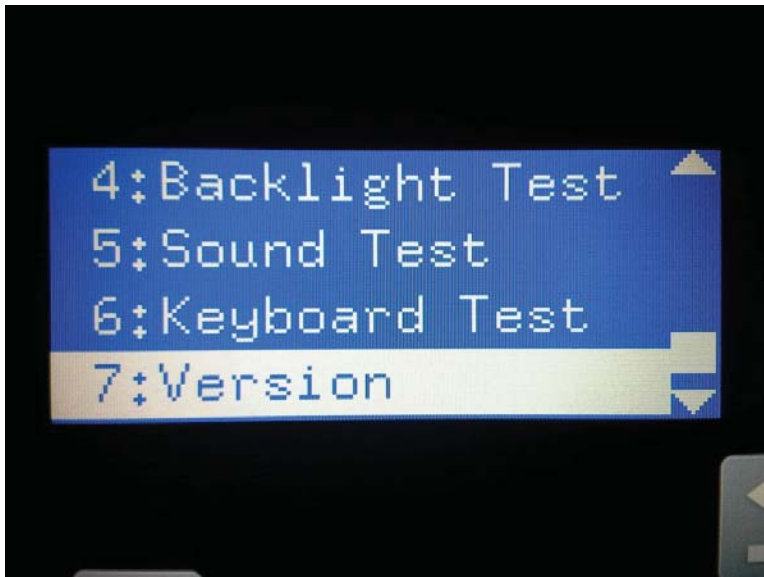
1. Open the control-panel system diagnostic tests. See [Open the control-panel system diagnostic tests on page 118](#).
2. Use the [down arrow ▼](#) button to scroll to **7 Version**, and then press the **OK** button to select it.

 **NOTE:** Touch any key to exit the test.

Select **7 Version** to view the following types of information:

- Panel ID
- Hardware (version)
- Firmware (version)
- KB Hw (version)
- KB Firm (version)
- LCD Vendor
- Touch Controller Version

**Figure 2-42** Open the sound test



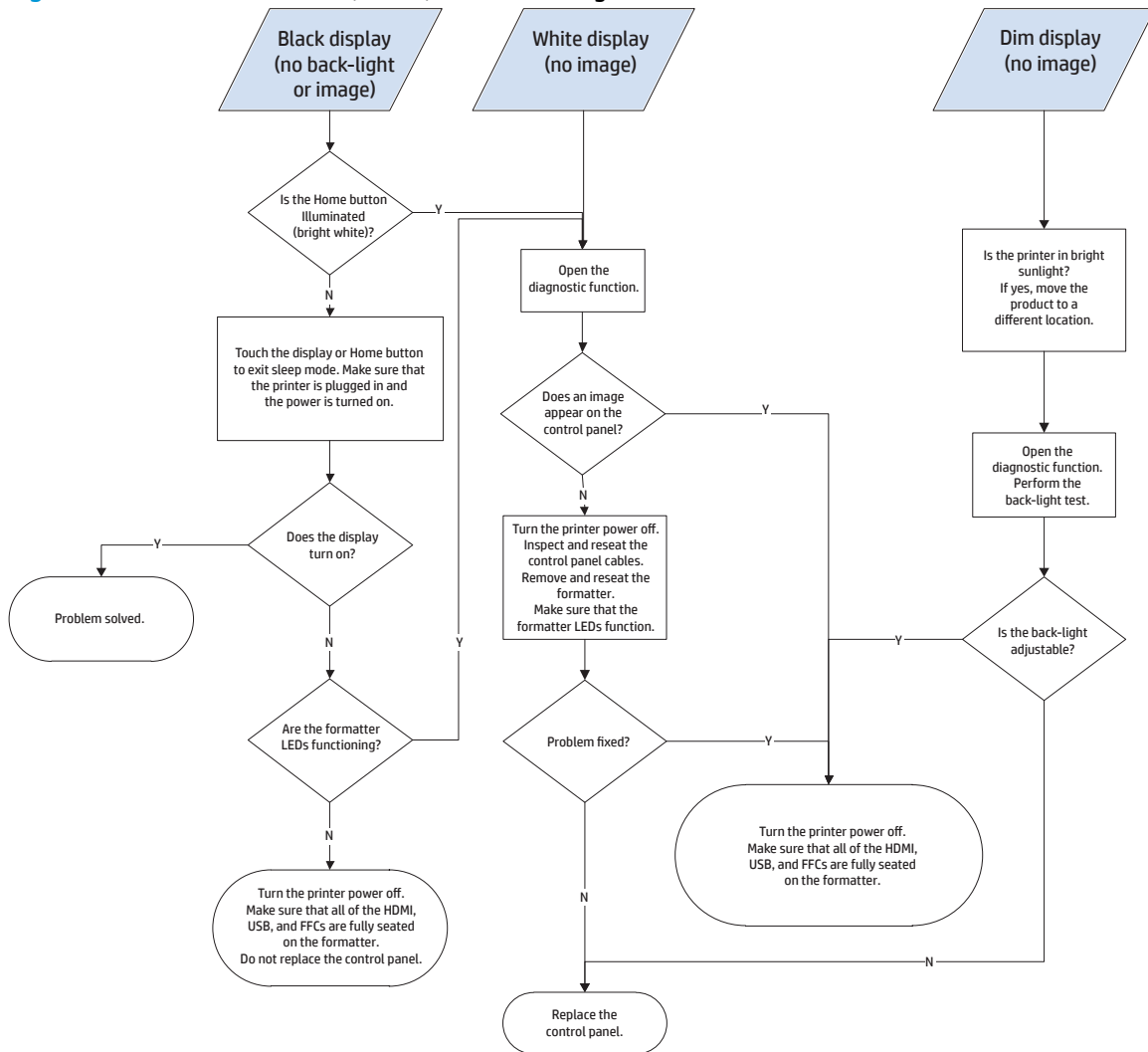
## Control panel diagnostic flowcharts (M553x and M577)

Use the flowcharts in this section to troubleshoot the following control panel problems.


- Touchscreen is blank, white, or dim (no image).
- Touchscreen is slow to respond or requires multiple presses to respond.
- Touchscreen has an unresponsive zone.
- No control panel sound.
- [Home](#) button is unresponsive.
- Hardware integration pocket (HIP) is not functioning (control panel functional).

**Touchscreen black, white, or dim (no image)**

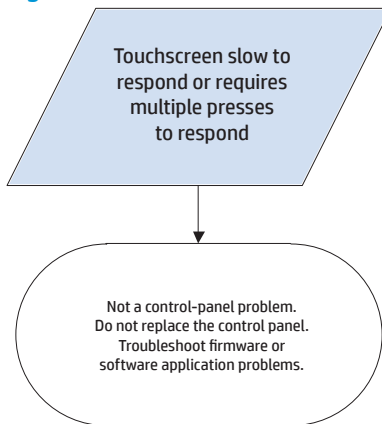
**Figure 2-43** Touchscreen blank, white, or dim (no image)



## Touchscreen is slow to respond or requires multiple presses to respond

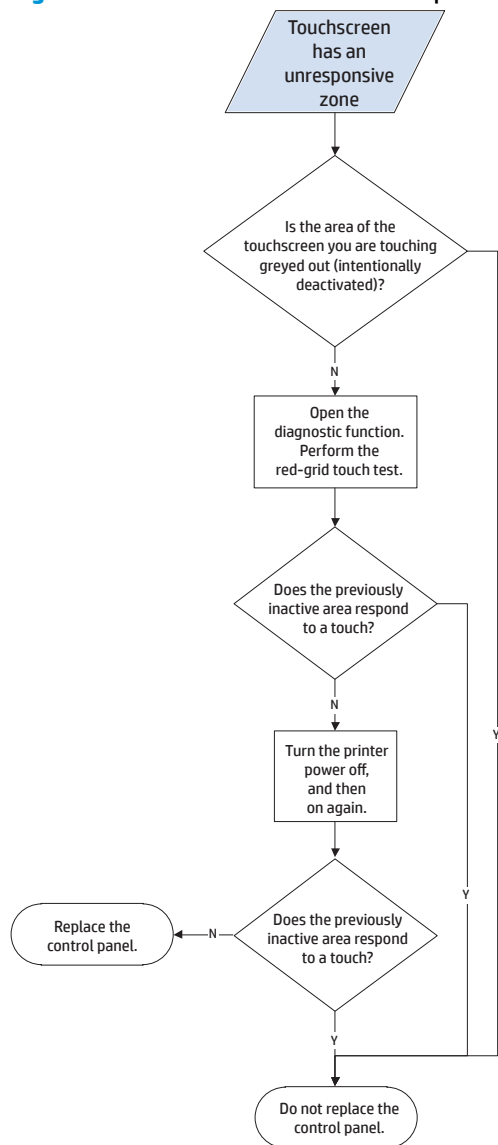
 **TIP:** Use the red-grid touch test to verify that all areas of the touchscreen are correctly functioning. See [Touch test on page 125](#).

**Figure 2-44** Touchscreen is slow to respond or requires multiple presses to respond



## Touchscreen has an unresponsive zone

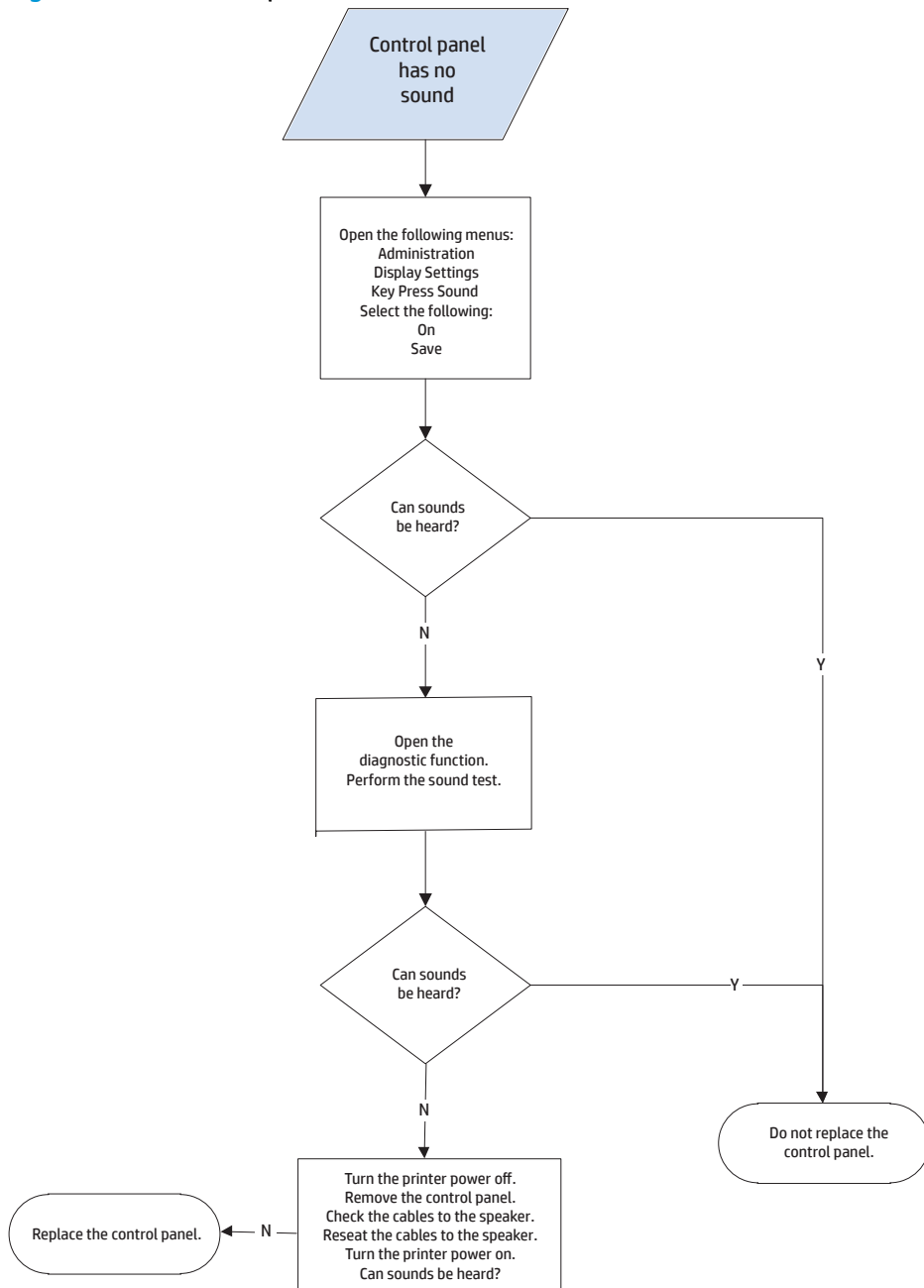
Figure 2-45 Touchscreen has an unresponsive zone





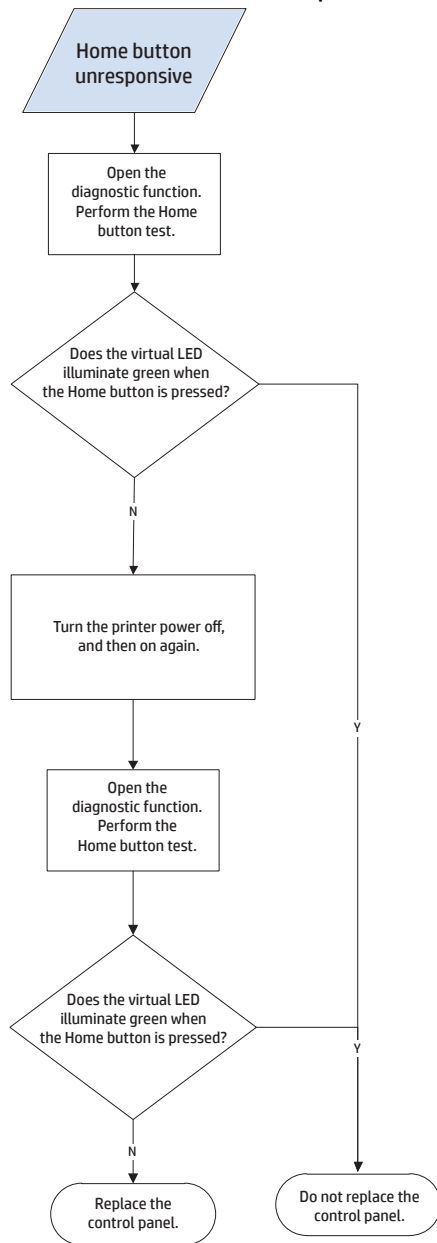
## No control panel sound

Figure 2-46 No control panel sound



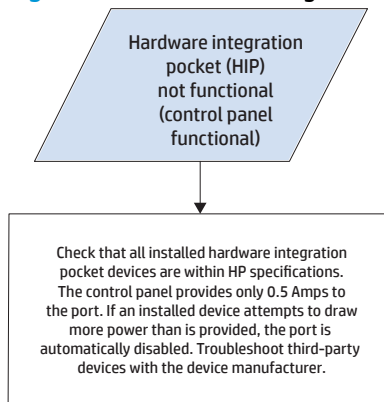
## Home button is unresponsive

Figure 2-47 Home button is unresponsive



## Hardware integration pocket (HIP) is not functioning (control panel functional)

**Figure 2-48** Hardware integration pocket (HIP) is not functioning (control panel functional)



# Tools for troubleshooting

The section describes the tools that can help solve problems with the printer.

- [Individual component diagnostics](#)
- [Diagrams](#)
- [Internal test and information pages](#)
- [Control-panel menus](#)
- [Control panel message document \(CPMD\)](#)

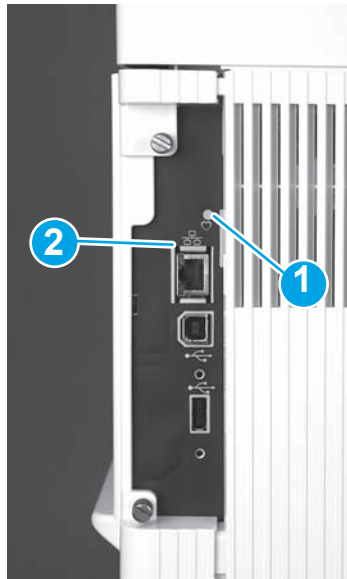
## Individual component diagnostics

### Tools for troubleshooting: LED diagnostics

LED, engine, and individual diagnostics can identify and troubleshoot printer problems.

#### Understand lights on the formatter

Two LEDs on the formatter indicate that the printer is functioning correctly.



- 
- |   |                   |
|---|-------------------|
| 1 | Heartbeat LED     |
| 2 | HP Jetdirect LEDs |
- 

#### Heartbeat LED

The heartbeat LED indicates that the formatter is functioning correctly. While the product is initializing after it is turned on, the LED blinks rapidly, and then turns off. When the product has finished the initialization sequence, the heartbeat LED pulses on and off.

The following table describes the heartbeat LED operation while the product is executing the firmware boot process.



**NOTE:** When the initialization process completes, the heartbeat LED should be illuminated solid green.

If after initialization, the heartbeat LED is not solid green, see [Table 2-10 Heartbeat LED, product operational on page 142](#).

**Table 2-9 Heartbeat LED, product initialization**

Product initializing state	Heartbeat LED, normal state	Heartbeat LED, error state
No power (power cable disconnected or power switch off)	Off	Not applicable
Power on (immediately after the power switch pressed)	Red, solid <ul style="list-style-type: none"> <li>Duration should be 1 second or less</li> </ul>	Red, solid <ul style="list-style-type: none"> <li>Firmware error; problem finding hardware and booting the serial peripheral interface flash memory               <ul style="list-style-type: none"> <li>Boot process halted</li> </ul> </li> </ul> Replace the formatter.
Serial peripheral interface (SPI) flash memory boot	Green, solid	Red, solid <ul style="list-style-type: none"> <li>Firmware error; problem corrupt or missing SPI flash memory               <ul style="list-style-type: none"> <li>Boot process halted</li> </ul> </li> </ul> Replace the formatter.
HW checks on board DRAM	Green, solid	Red, solid <ul style="list-style-type: none"> <li>Power on self check failure               <ul style="list-style-type: none"> <li>Boot process halted</li> </ul> </li> </ul> Replace the formatter.
Control panel connection initializes	Green, solid <p><b>NOTE:</b> Control panel communication successful. If an error occurs, a message should appear on the control-panel display.</p>	Yellow, fast flash <ul style="list-style-type: none"> <li>Formatter to control panel connection failed               <ul style="list-style-type: none"> <li>Boot process continues</li> </ul> </li> </ul> Check the cables between the formatter and control panel for damage. Make sure that the cables are fully seated.
Pre-boot menu available (including diagnostics)	Green, solid	Red, solid <ul style="list-style-type: none"> <li>Diagnostic failure               <ul style="list-style-type: none"> <li>Follow diagnostic instructions</li> </ul> </li> </ul> Turn the power off, and then on again to restart the initialization process.
Accessing disk for firmware image	Green, solid <p><b>NOTE:</b> If applicable, disk error messages appear on the control-panel display.</p>	Yellow, fast flash <ul style="list-style-type: none"> <li>Control panel not connected</li> </ul>

**Table 2-9 Heartbeat LED, product initialization (continued)**

Product initializing state	Heartbeat LED, normal state	Heartbeat LED, error state
Firmware boot	Green, solid  <b>NOTE:</b> If applicable, error messages appear on the control-panel display.	Yellow, fast flash  <ul style="list-style-type: none"> <li>Control panel not connected</li> </ul>
Product operational	Green, heartbeat blink  <b>NOTE:</b> If applicable, error messages appear on the control-panel display.	Yellow, fast flash  <ul style="list-style-type: none"> <li>Control panel not connected</li> </ul>
<b>49.XX.YY</b> error or initialization freezes	Not applicable	LED off  <b>NOTE:</b> An error message (for example, <b>49.XX.YY</b> ) might appear on the control-panel display.  Eventually a formatter connection missing message will appear.  Turn the power off, and then on again to restart the initialization process.  If the error persists, perform a firmware upgrade.
Control panel connection interrupted after the product is operational	Not applicable	Yellow, fast flash  <ul style="list-style-type: none"> <li>Control panel not connected</li> </ul>
Flat flexible cable (FFC) between the formatter and DC controller is not connected or damaged	Not applicable	Yellow, solid  <ul style="list-style-type: none"> <li>Formatter to DC controller connection failed</li> </ul> <p>Check the cable between the formatter and DC controller for damage. Make sure that the cable is fully seated.</p>
Sleep Mode	Green, slow blink	Not applicable
Approaching Sleep Mode	Green, slow blink	Not applicable
Wake up from Sleep Mode	Follows initialization progression	Follows initialization progression
Approaching wake up from Sleep Mode	Follows initialization progression	Follows initialization progression

The following table describes the heartbeat LED operation when the product completes the firmware boot process and is in the **Ready** state.

**Table 2-10 Heartbeat LED, product operational**

LED color	Description
Green	<ul style="list-style-type: none"> <li>Normal operation <ul style="list-style-type: none"> <li>Formatter is operating normally</li> <li>Firmware is operating normally</li> <li>Control panel is connected</li> </ul> </li> </ul>
Yellow	<ul style="list-style-type: none"> <li>Formatter cannot connect to the control panel</li> </ul>

**Table 2-10 Heartbeat LED, product operational (continued)**

LED color	Description
	<ul style="list-style-type: none"><li>◦ Check control panel connections</li><li>◦ Verify control panel functionality</li></ul>
Red	<ul style="list-style-type: none"><li>• Formatter error or failure<ul style="list-style-type: none"><li>◦ Serial peripheral interface (SPI) flash memory boot error</li><li>◦ Power on self test (formatter) failed</li><li>◦ Diagnostic (formatter) failed</li></ul></li></ul>
Off	<p><b>TIP:</b> The heartbeat LED is off if the power cable is disconnected, the product power switch is in the off position, or the product is in <a href="#">Sleep Mode</a>.</p> <ul style="list-style-type: none"><li>• Firmware or system freeze<ul style="list-style-type: none"><li>◦ Check control panel for an error message</li><li>◦ Control panel failure</li></ul></li></ul> <p><b>NOTE:</b> This condition is not usually caused by a formatter failure. Turn the power off, and then on again. If the error persists, perform a firmware upgrade.</p>

## HP Jetdirect LEDs

The embedded HP Jetdirect print server has two LEDs. The yellow LED indicates network activity, and the green LED indicates the link status. A blinking yellow LED indicates network traffic. If the green LED is off, a link has failed.

For link failures, check all the network cable connections. In addition, try to manually configure the link settings on the embedded print server by using the printer control-panel menus.

1. From the [Home](#) screen on the printer control panel, scroll to and touch the [Administration](#) button.
2. Open the following menus:
  - [Network Settings](#)
  - [Embedded Jetdirect Menu](#)
  - [Link Speed](#)
3. Select the appropriate link speed, and then touch the [OK](#) button.

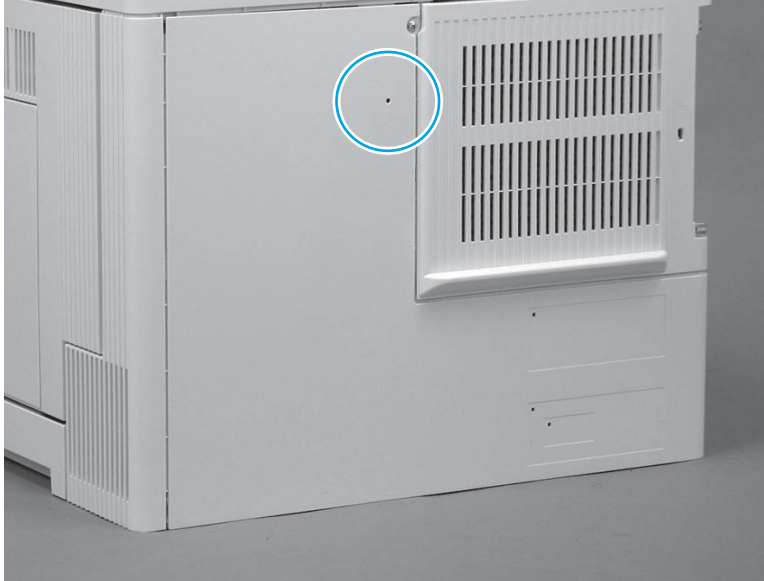
## Tools for troubleshooting: Engine diagnostics

The printer contains extensive internal engine diagnostics that help in troubleshooting print quality, paper path, noise, assembly, and timing issues.

### Engine test button

To verify that the printer engine is functioning, print an engine test page. Use a small pointed object to depress the test-page switch located on the rear of the printer. The test page should have a series of lines that are parallel to the short end of the page. The test page can use only Tray 2 as the paper source, so make sure that paper is loaded in Tray 2.

**Figure 2-49** Engine test button





## Defeating interlocks

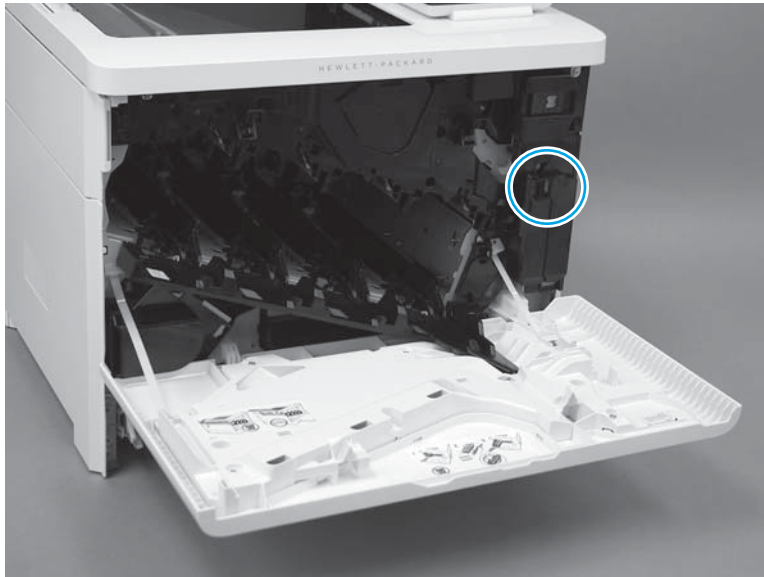
Different tests can be used to isolate different types of issues. For assembly or noise isolation, run the diagnostic test when the front door or right door is open. To operate the printer with the doors open, the interlock switch levers must be depressed to simulate a closed-cover position.

**⚠ WARNING!** Be careful when performing printer diagnostics to avoid risk of injury. Only trained service personnel should open and run the diagnostics with the covers removed. Never touch any of the power supplies when the printer is turned on.

**💡 TIP:** Fold a stiff piece of paper, for example a business card or index card, into a 10 mm (.375 in) strip, and insert the strip into the slots for the front door and right door logic switches.

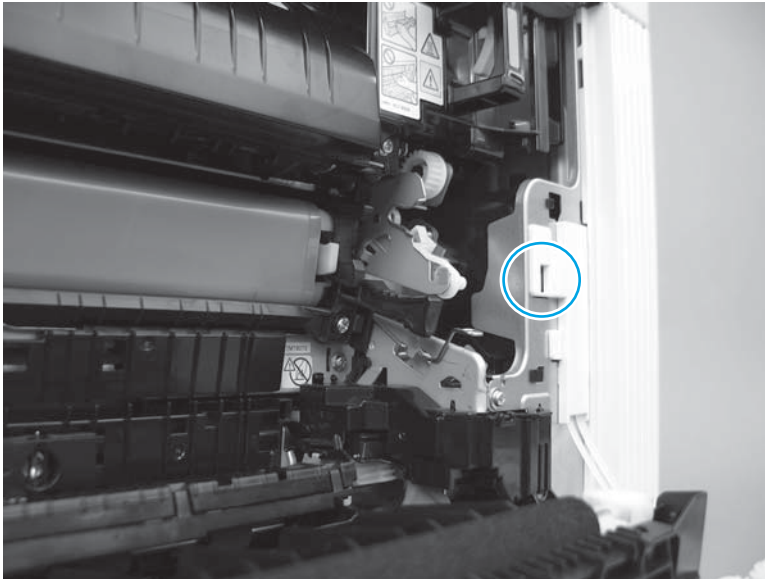
1. Open the front door, and then insert a folded piece of paper into one slot.

**Figure 2-50** Defeating interlocks (front door)

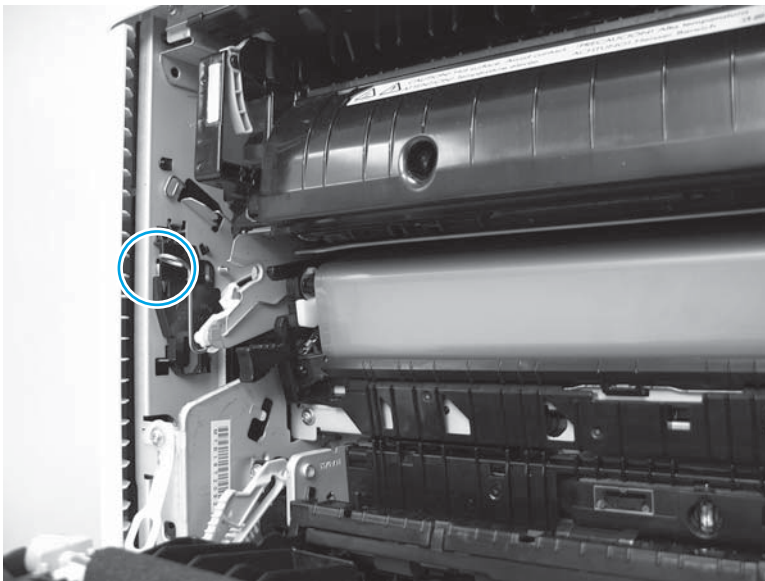


2. Open the right door, and then insert a folded piece of paper into two slots.

**Figure 2-51** Defeating interlocks (right door; right side)



**Figure 2-52** Defeating interlocks (right door; left side)



## Disable cartridge check

Use this diagnostic test to print internal pages or send an external job to the printer when the toner cartridge is removed or exchanged. Supply errors are ignored while the printer is in this mode. When the printer is in this mode, access the troubleshooting menus and print internal pages (the print quality pages will be the most useful). This test can be used to isolate problems, such as noise, and to isolate print-quality problems that are related to the toner cartridge.



---

**NOTE:** Do not remove or exchange the toner cartridge until after beginning the disable cartridge check diagnostic.

---

### Disable cartridge check from a touchscreen control panel

1. From the [Home](#) screen on the printer control panel, scroll to and touch the [Administration](#) button.
2. Open the following menus:
  - [Troubleshooting](#)
  - [Diagnostic Tests](#)
  - [Disable Cartridge Check](#)

### Disable cartridge check from an LCD control panel

1. From the [Home](#) screen on the printer control panel, use the down arrow ▼ button to scroll to [Administration](#), and then press the [OK](#) button.
2. Use the down arrow ▼ button to scroll to [Troubleshooting](#), and then press the [OK](#) button.
3. Use the down arrow ▼ button to scroll to [Diagnostics](#), and then press the [OK](#) button.
4. Use the down arrow ▼ button to scroll to [Disable Cartridge Check](#), and then press the [OK](#) button to select it.

## Tools for troubleshooting: Paper path and sensor diagnostic tests

Use these diagnostic tests to manually test the printer sensors, switches.



**NOTE:** The menu list of sensors and switches for the [Paper path sensors test](#), [Manual Sensor Test](#), and the [Tray/Bin Manual Sensor Test](#) varies depending on which optional accessories are installed.

The tables in this section describe the sensor tests available with an optional 1x550-sheet paper feeder installed.

For trays other than Tray 1 or Tray 2, the tray number associated with a sensor or switch depends on the number and type of accessories installed.

### Paper path test

This diagnostic test generates one or more test pages. Use these pages to isolate the cause of jams.

To isolate a problem, specify which input tray to use, specify whether to use the duplex path, and specify the number of copies to print. Multiple copies can be printed to help isolate intermittent problems. The following options become available after beginning the diagnostic feature:

- **Print Test Page:** Run the paper-path test from the default settings: Tray 2, no duplex, and one copy. To specify other settings, scroll down the menu, and select the setting, and then scroll back up and select [Print Test Page](#) to start the test.
- **Source Tray:** Select Tray 1, Tray 2, or the optional tray.
- **Test Duplex Path:** Enable or disable two-sided printing.
- **Number of Copies:** Set the numbers of copies to be printed; the choices are 1, 10, 50, 100, or 500.

### Access the paper path test from a touchscreen control panel

1. From the [Home](#) screen on the printer control panel, scroll to and touch the [Administration](#) button.
2. Open the following menus:
  - [Troubleshooting](#)
  - [Diagnostic Tests](#)
  - [Paper Path Test](#)
3. Select the paper-path test options for the test.

### Access the paper path test from an LCD control panel

1. From the [Home](#) screen on the printer control panel, use the down arrow ▼ button to scroll to [Administration](#), and then press the [OK](#) button.
2. Use the down arrow ▼ button to scroll to [Troubleshooting](#), and then press the [OK](#) button.
3. Use the down arrow ▼ button to scroll to [Diagnostic Tests](#), and then press the [OK](#) button.
4. Use the down arrow ▼ button to scroll to [Paper Path Test](#), and then press the [OK](#) button.

## Paper path sensors test

This test displays the status of each paper-path sensor and allows viewing of sensor status while printing internal pages.

### Access the paper path sensors test from a touchscreen control panel

1. From the **Home** screen on the printer control panel, scroll to and touch the **Administration** button.
2. Open the following menus:
  - **Troubleshooting**
  - **Diagnostic Tests**
  - **Paper Path Sensors**

### Access the paper path sensors test from an LCD control panel

1. From the **Home** screen on the printer control panel, use the down arrow ▼ button to scroll to **Administration**, and then press the **OK** button.
2. Use the down arrow ▼ button to scroll to **Troubleshooting**, and then press the **OK** button.
3. Use the down arrow ▼ button to scroll to **Diagnostic Tests**, and then press the **OK** button.
4. Use the down arrow ▼ button to scroll to **Paper Path Sensors**, and then press the **OK** button.



**NOTE:** Exiting the Paper path sensors menu and then reentering the test will clear the test values from the previous test.

The menu list of sensors and motors for the Paper path sensors test varies depending on which optional accessories are installed.

The following table describes the sensor tests available with an optional 1x550-sheet paper feeder installed.

For trays other than Tray 1 or Tray 2, the tray number associated with a sensor or switch depends on the number and type of accessories installed.

**Table 2-11 Paper-path sensors diagnostic tests**

Sensor name	Sensor/Switch number	Replacement part number	Descriptions
Tray 3 feed sensor <sup>1</sup>	SR21	RM2-5145-000CN	Paper feed assembly
Registration sensor	SR6	RM2-0093-000CN (M553n) RM2-0018-000CN (M552dn, M553dn, M553x, M577)	Registration assembly
Fuser loop 1 sensor	PS1	B5L35-67902 (110 V) B5L36-67902 (220 V)	Fuser
Front media width sensor	SR13	RM2-0093-000CN (M553n) RM2-0018-000CN (M552dn, M553dn, M553x, M577)	Registration assembly

**Table 2-11 Paper-path sensors diagnostic tests (continued)**

Sensor name	Sensor/Switch number	Replacement part number	Descriptions
Rear media width sensor	SR14	RM2-0093-000CN (M553n) RM2-0018-000CN (M552dn, M553dn, M553x, M577)	Registration assembly
Fuser pressure release sensor	SR11	B5L35-67902 (110 V) B5L36-67902 (220 V)	Fuser
Fuser output sensor	SR9	B5L35-67902 ((110 V) B5L36-67902 (220 V)	Fuser
Developer alienation sensor	SR4	B5L25-67902	Main drive assembly
Output bin full sensor	SR10	RM2-0092-000CN (M553n) RM2-0016-000CN (M552dn, M553dn, M553x, M577)	Paper delivery assembly

<sup>1</sup> Only appears if optional accessories are installed.

## Manual sensor tests

The table in this section lists the sensors and switches available in the [Manual Sensor Test](#).

### Access the manual sensor test from a touchscreen control panel

The [Manual Sensor Test](#) screen shows the sensor number, sensor name (M553x only), sensor state (active or inactive), and the number of times the sensor has been toggled (activated).

1. From the [Home](#) screen on the printer control panel, scroll to and touch the [Administration](#) button.
2. Open the following menus:
  - [Troubleshooting](#)
  - [Diagnostic Tests](#)
  - [Manual Sensor Test](#)
3. Activate the desired sensor, and then check the control-panel display to verify the sensor state (active or inactive).
  - The [State](#) virtual LED next to the sensor number and sensor name illuminates green when the sensor is active.
  - The [Toggle](#) virtual LED next to the sensor number and sensor name illuminates green after the sensor is activated and increments by one each time the sensor is interrupted (activated or deactivated).

For example, opening the front door increments the [SW1 Front door opening/closing Toggle](#) item count two times—once when the door is opened, and once when the door is closed.
4. Touch the [Reset Sensors](#) button to reset the [Toggle](#) count item.



**-or-**

Touch the [Cancel](#) button or the [Return](#) arrow button to exit the [Manual Sensor Test](#) screen and return to the [Diagnostic Tests](#) menu.

### Access the manual sensor test from an LCD control panel

1. From the [Home](#) screen on the printer control panel, use the down arrow ▼ button to scroll to [Administration](#), and then press the [OK](#) button.
2. Use the down arrow ▼ button to scroll to [Troubleshooting](#), and then press the [OK](#) button.
3. Use the down arrow ▼ button to scroll to [Diagnostic Tests](#), and then press the [OK](#) button.
4. Use the down arrow ▼ button to scroll to [Manual Sensor Test](#), and then press the [OK](#) button.
5. Activate the desired sensor, and then check the control-panel display to verify the sensor state (active or inactive).

---

 **TIP:** Press the return arrow ↵ button to reset the sensor or press the [Cancel](#)  button to exit the test.

---

- The **State** virtual LED next to the sensor number and sensor name illuminates green when the sensor is active.
- The **Toggle** virtual LED next to the sensor number and sensor name illuminates green after the sensor is activated and increments by one each time the sensor is interrupted (activated or deactivated).

For example, opening the cartridge door increments the **SW4 Front door opening/closing Toggle** item count two times—once when the door is opened, and once when the door is closed.



**NOTE:** The following table describes the sensor tests available with an optional 1x550-sheet paper feeder installed.

For trays other than Tray 1 or Tray 2, the tray number associated with a sensor or switch depends on the number and type of accessories installed.

For a diagram of sensor locations, see [Figure 2-53 Printer base, sensors and switches block diagram on page 161](#).

**Table 2-12 Manual sensor diagnostic tests**

Sensor or switch	Replacement Part number	Description
SW4 Front door opening/closing sensor	RM2_7133-000CN	Switch PCA assembly
SW3 Right door opening/closing sensor	WC2-5806-000CN	Switch button assembly
SR21 Tray 3 feed sensor <sup>1</sup>	RM2-5145-000CN	Paper feed assembly
SR6 Registration sensor	RM2-0093-000CN (M553n) RM2-0018-000CN (M552dn, M553dn, M553x, M577)	Registration assembly
PS1 Fuser loop 1 sensor	B5L35-67902 (110 V) B5L36-67902 (220 V)	Fuser
SR13 Front Media width sensor	RM2-0017-000CN	Paper pickup assembly
SR13N Front Media width sensor		
SR14 Rear media width sensor	RM2-0017-000CN	Paper pickup assembly
SR14N Rear media width sensor		
SR11 Fuser pressure release sensor	B5L35-67902 (110 V) B5L36-67902 (220 V)	Fuser
SR9 Fuser output sensor	B5L35-67902 (110 V) B5L36-67902 (220 V)	Fuser
SR10 Output bin full sensor	RM2-0092-000CN (M553n) RM2-0016-000CN (M552dn, M553dn, M553x, M577)	Paper delivery assembly

<sup>1</sup> Only appears if optional accessories are installed.



## Tray/bin manual sensor test

The table in this section lists the sensors and switches available in the [Tray/Bin Manual Sensor Test](#).

### Access the tray/bin manual sensor test from a touchscreen control panel

The [Tray/Bin Manual Sensor Test](#) screen shows the sensor number, sensor name, sensor state (active or inactive), and the number of times the sensor has been toggled (activated).

1. From the [Home](#) screen on the printer control panel, scroll to and touch the [Administration](#) button.
2. Open the following menus:
  - [Troubleshooting](#)
  - [Diagnostic Tests](#)
  - [Tray/Bin Manual Sensor Test](#)
3. Activate the desired sensor, and then check the control-panel display to verify the sensor state (active or inactive).
  - The [State](#) virtual LED next to the sensor number and sensor name illuminates green when the sensor is active.
  - The [Toggle](#) virtual LED next to the sensor number and sensor name illuminates green after the sensor is activated and increments by one each time the sensor is interrupted (activated or deactivated).

For example, opening Tray 2 increments the [SW5 Tray 2 detection switch Toggle](#) item count two times—once when the tray is opened, and once when the tray is closed.
4. Touch the [Reset Sensors](#) button to reset the [Toggle](#) count item.



**-or-**

Touch the [Cancel](#) (M553x) or the [Return](#) arrow button to exit the [Tray/Bin Manual Sensor Test](#) screen and return to the [Diagnostic Tests](#) menu.

### Access the tray/bin manual sensor test from an LCD control panel

1. From the [Home](#) screen on the printer control panel, use the down arrow ▼ button to scroll to [Administration](#), and then press the [OK](#) button.
2. Use the down arrow ▼ button to scroll to [Troubleshooting](#), and then press the [OK](#) button.
3. Use the down arrow ▼ button to scroll to [Diagnostic Tests](#), and then press the [OK](#) button.
4. Use the down arrow ▼ button to scroll to [Tray/Bin manual Sensor Test](#), and then press the [OK](#) button.
5. Activate the desired sensor, and then check the control-panel display to verify the sensor state (active or inactive).

---

 **TIP:** Press the return arrow ↵ button to reset the sensor or press the [Cancel](#)  button to exit the test.

---

- The **State** virtual LED next to the sensor number and sensor name (M605x and M606x only) illuminates green when the sensor is active.
- The **Toggle** virtual LED next to the sensor number and sensor name (M605x and M606x only) illuminates green after the sensor is activated and increments by one each time the sensor is interrupted (activated or deactivated).

For example, opening Tray 2 increments the **SW5 Tray 2 detection switch Toggle** item count two times—once when the tray is opened, and once when the tray is closed.



**NOTE:** The following table describes the sensor tests available with an optional 1x550-sheet paper feeder installed.

For trays other than Tray 1 or Tray 2, the tray number associated with a sensor or switch depends on the number and type of accessories installed.

**Table 2-13 Tray/bin manual sensors**

Sensor or switch name	Replacement part number	Descriptions
SR5 Tray 2 paper sensor	WC2-5806-000CN (part not available)	Switch button assembly
SR8 Tray 1 paper sensor	RM2-0015-000CN	Right door assembly
SR12 Cassette media out sensor	RM2-0017-000CN	Paper pickup assembly
SR20 Tray 3-X media out sensor <sup>1</sup>	RM2-5154-000CN	Paper pickup assembly  <b>NOTE:</b> Also associated with the media presence sensor.
SW21 Tray 3 cassette sensor <sup>1</sup>	WC2-5806-000CN (part not available)	Switch button assembly
SR21 Tray 3 feed sensor <sup>1</sup>	RM2-5145-000CN	Paper feeder assembly
SW20 Right door sensor <sup>1</sup>	RM2-5146-000CN	Right door assembly
SR10 Output bin media out sensor	RM2-0092-000CN (M553n) RM2-0016-000CN (M552dn, M553dn, M553x, M577)	Paper delivery assembly

<sup>1</sup> Only appears if optional accessories are installed.

## Tools for troubleshooting: Print/stop test

Use this diagnostic test to isolate the cause of problems such as image-formation defects and jams within the engine. During this test, stop the paper anywhere along the printer paper path. The test can be programmed to stop printing internal pages or an external print job when the paper reaches a certain position. The test can also be programmed to stop from 0 to 60,000 ms. If the timer is set to a value that is greater than the job-print time, the printer can recover in one of two ways:

- After the print job is completed press **OK** button to return to the **Troubleshooting** menu before the timer times out.
- After the timer times out, touch the **Stop** button. Activate the door switch to restart the engine and return it to a normal state.



**NOTE:** Do not try to perform a print/stop test while the printer is calibrating, because restarting the printer might be necessary. If a jam message displays on the control panel during testing, activate the door switch.

### Access the print/stop test from a touchscreen control panel

1. From the [Home](#) screen on the printer control panel, scroll to and touch the [Administration](#) button.
2. Open the following menus:
  - [Troubleshooting](#)
  - [Diagnostic Tests](#)
  - [Print/Stop Test](#)
3. Enter a range, and then touch the [OK](#) button.

### Access the print/stop test from an LCD control panel

1. From the [Home](#) screen on the printer control panel, use the down arrow ▼ button to scroll to [Administration](#), and then press the [OK](#) button.
2. Use the down arrow ▼ button to scroll to [Troubleshooting](#), and then press the [OK](#) button.
3. Use the down arrow ▼ button to scroll to [Diagnostic Test](#), and then press the [OK](#) button.
4. Use the down arrow ▼ button to scroll to [Print/Stop Test](#), and then press the [OK](#) button.

## Tools for troubleshooting: Component tests

Use the procedure below to test various printer mechanical and electromechanical assemblies.

---

 **NOTE:** The menu list of components for the [Component Test](#) varies depending on which optional accessories are installed.

The table in this section describes the components available with an optional 1x550-sheet paper feeder installed.


For trays other than Tray 1 or Tray 2, the tray number associated with a sensor or switch depends on the number and type of accessories installed.

---

### Individual component diagnostics (special-mode test)

This test activates individual parts independently to isolate problems.

---

 **NOTE:** The front door or right side door interlocks must be defeated to run the component tests. Some tests might require that the ITB and toner cartridges be removed. A control-panel display prompt appears indicate removing some, or all of the cartridges, during certain tests.

---


### Access the individual component diagnostics from a touchscreen control panel

1. From the [Home](#) screen on the printer control panel, scroll to and touch the [Administration](#) button.
2. Open the following menus:
  - [Troubleshooting](#)
  - [Diagnostic Tests](#)
  - [Component Test](#)
3. Select the component test options for the test.

### Access the individual component diagnostics from an LCD control panel

1. From the [Home](#) screen on the printer control panel, use the down arrow ▼ button to scroll to [Administration](#), and then press the [OK](#) button.
2. Use the down arrow ▼ button to scroll to [Troubleshooting](#), and then press the [OK](#) button.
3. Use the down arrow ▼ button to scroll to [Diagnostic Test](#), and then press the [OK](#) button.
4. Use the down arrow ▼ button to scroll to [Component Test](#), and then press the [OK](#) button.

---

 **NOTE:** The table in this section describes the components available with an optional 1x550-sheet paper feeder installed.

For trays other than Tray 1 or Tray 2, the tray number associated with a sensor or switch depends on the number and type of accessories installed.

---

**Table 2-14 Component test details**

Component test	Item tested	Replacement part number	Comments
Drum motors	M1	RM2-0078-000CN	Activates the specified motor.
	M2		
	M3		
Fuser drive assembly	M4	RM2-0091-000CN (M553n)	Activates the specified motor.
		RM2-0009-000CN (M552dn, M553dn, M553x, M577)	
Fuser pressure release motor	M6	RK2-6027-000CN	Activates the specified motor.
Tray 2 pickup motor	M5	RM2-0008-000CN	Activates the specified motor.
		Pickup drive assembly	
Tray 3 pickup motor <sup>1</sup>	M20	RM2-5145-000CN	Activates the specified motor.
		Paper feed assembly	
Duplexer pickup motor	M8	RM2-0006-000CN (M552dn, M553dn, M553x, M577)	Activates the specified motor.
		Duplex drive assembly	
Tray 1 pickup solenoid	SL2	RM2-0017-000CN	Activates the specified solenoid.
		Paper pickup assembly	
Tray 2 pickup solenoid	SL1	RM2-0090-000CN (M553n)	Activates the specified solenoid.
		RM2-0022-000CN (M552dn, M553dn, M553x, M577)	
		Tray 1 roller alienation (part of secondary transfer assembly)	
Tray 3-X pickup solenoid	Not applicable	RM2-5154-000CN	Activates the specified solenoid.
		Paper pickup assembly	
Duplex switchback solenoid	SL3	RM2-0006-000CN (M552dn, M553dn, M553x, M577)	Activates the specified solenoid.
		Duplex drive assembly	
Feed roller clutch	CL1	RM2-0010-000CN	Activates the specified clutch.
		Lifter drive assembly	
Laser Scanner motor	M7	RM2-6545-000CN	Activates the specified motor.
		Laser/scanner assembly	
Repeat	Not applicable	Not applicable	Choose <b>Off</b> to execute the test once. Choose <b>On</b> to execute the test continuously.

<sup>1</sup> Only appears if optional accessories are installed.

## Tools for troubleshooting: Scanner tests (M577 only)

Use these diagnostic tests to manually test the document feeder and scanner sensors.

### Scanner tests

This section lists the sensors available in the [Scanner Tests](#).

### Document feeder and image scanner sensor replacement parts

If a document feeder or image scanner sensor fails, replace the following assemblies:

- Document feeder sensors
  - Document feeder whole unit kit for M577dn/f models; 5851-6568



---

**NOTE:** Includes the white backing kit.

---

- Document feeder whole unit kit for M577c/z models; 5851-6569



---

**NOTE:** Includes the white backing kit.

---

- Scanner sub assembly (SSA) kit; F2A76-67909



---

**NOTE:** Includes the white backing kit.

---

### Use the scanner tests

The [Scanner Tests](#) screen shows the sensor name, sensor state (active or inactive), and the number of times the sensor has been toggled (activated).

1. From the [Home](#) screen on the product control panel, scroll to and touch the [Administration](#) button.
2. Open the following menus:
  - [Troubleshooting](#)
  - [Diagnostic Tests](#)
  - [Scanner Tests](#)
  - [Sensors](#)
3. Touch the sensor name on the [Scanner Tests](#) screen to display a sensor location graphic on the control-panel display.
4. Activate the desired sensor, and then check the control-panel display to verify the sensor state (active or inactive).
  - The [State](#) virtual LED next to the sensor number and sensor name illuminates green when the sensor is active.
  - The [Toggle](#) virtual LED next to the sensor number and sensor name illuminates green after the sensor is activated and increments by one each time the sensor is interrupted (activated or deactivated).

For example, opening the flatbed cover increments the [Flatbed cover Toggle](#) item count two times—once when the door is opened, and once when the door is closed.

5. Touch the [Reset Sensors](#) button to reset the [Toggle](#) count item.

**-or-**

Touch the [Cancel](#) button to exit the [Scanner Tests](#) screen, and then touch the [Cancel](#) button again to return to the [Diagnostic Tests](#) menu.

#### **Scanner tests sensors**

- [ADF paper present](#)
- [ADF Y \(length\)](#)
- [ADF jam cover](#)
- [ADF paper path deskew](#)
- [ADF paper path pick success](#)
- [Paper path sensor 1 \(unreachable\)](#)
- [Paper path sensor 2 \(unreachable\)](#)
- [Flatbed Y \(length\)](#)
- [Flatbed cover](#)

## Diagrams

- [Diagrams: Block diagrams](#)
- [Diagrams: Printed circuit assembly \(PCA\) connector locations](#)
- [Diagrams: External plug and port locations](#)
- [Diagrams: Locations of major assemblies](#)
- [Diagrams: General timing chart](#)
- [Diagrams: General circuit diagrams](#)

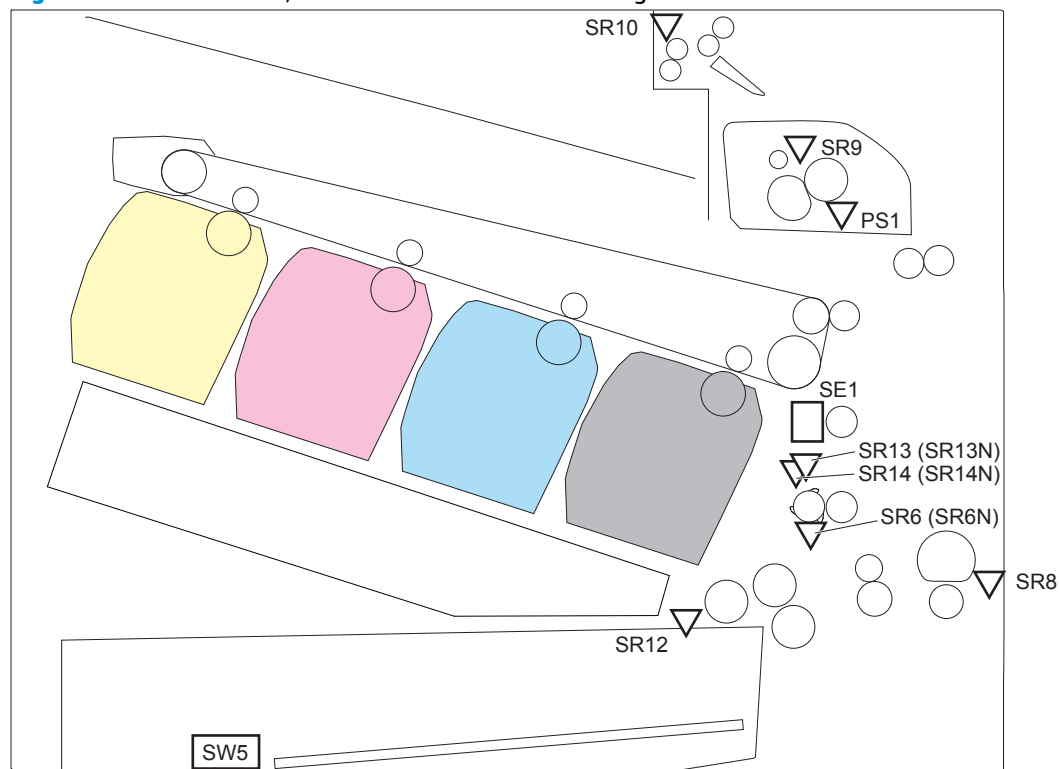


## Diagrams: Block diagrams

Use the diagrams in this section to identify printer sensors and assemblies.

### Sensors and switches

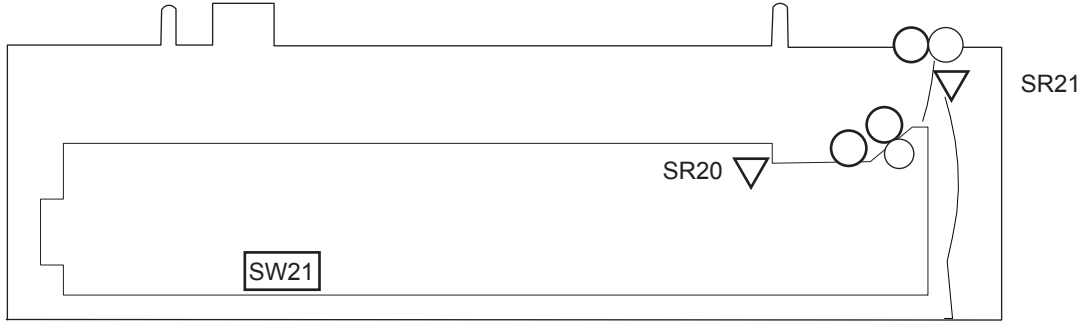
**Figure 2-53** Printer base, sensors and switches block diagram



**Table 2-15** Printer base, sensors and switches block diagram

Item	Description	Item	Description
SR6	Top-of-Page (TOP) sensor (duplex models)	SR13N	Media width (front, simplex models)
SR6N	Top-of-Page (TOP) sensor (simplex models)	SR14	Media width (rear, duplex models)
SR8	Tray 1 (multipurpose tray) media-out sensor	SR14N	Media width (rear, simplex models)
SR9	Fuser delivery sensor	PS1	Loop sensor
SR10	Output bin media-full sensor	SE1	Media sensor
SR12	Tray 2 (cassette) media-out sensor	SW5	Tray 2 (cassette) detection switch
SR13	Media width (front, duplex models)		

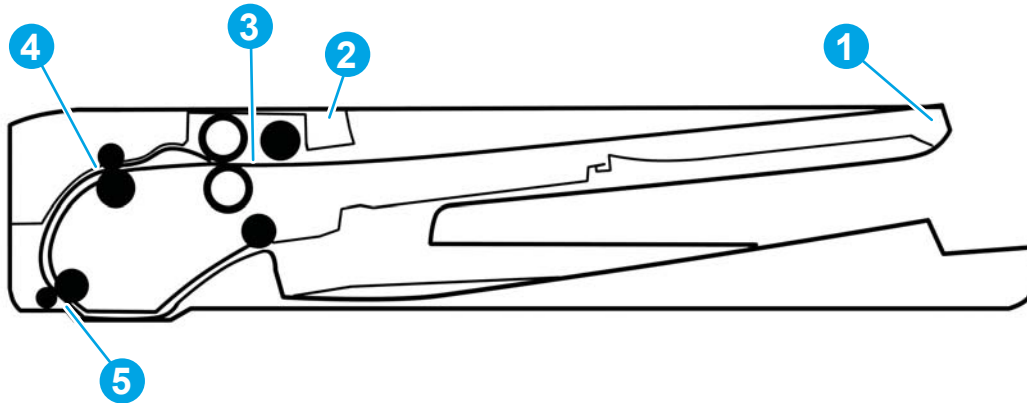
**Figure 2-54** 1x550-sheet paper feeder, sensors and switches block diagram



**Table 2-16** 1x550-sheet paper feeder, sensors and switches block diagram

Item	Description
SR20	Tray 3/4/5(cassette) media-out sensor
SR21	Paper feeder media feed sensor
SW21	Tray 3/4/5(cassette) detection switch

**Figure 2-55** Document feeder, sensors block diagram

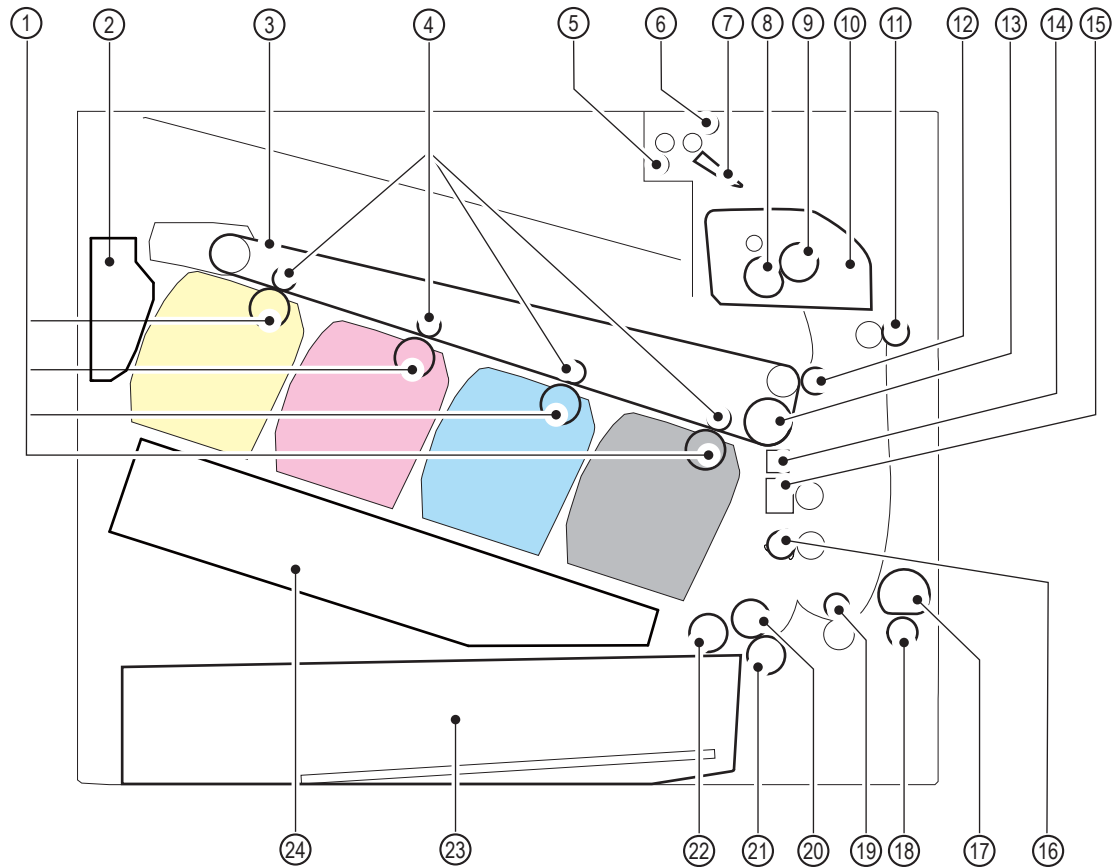


**Table 2-17** Document feeder, sensors block diagram

Item	Description
1	Length sensor
2	Jam cover sensor
3	Paper present sensor
4	Deskew sensor
5	Paper path sensor

## Cross section diagrams

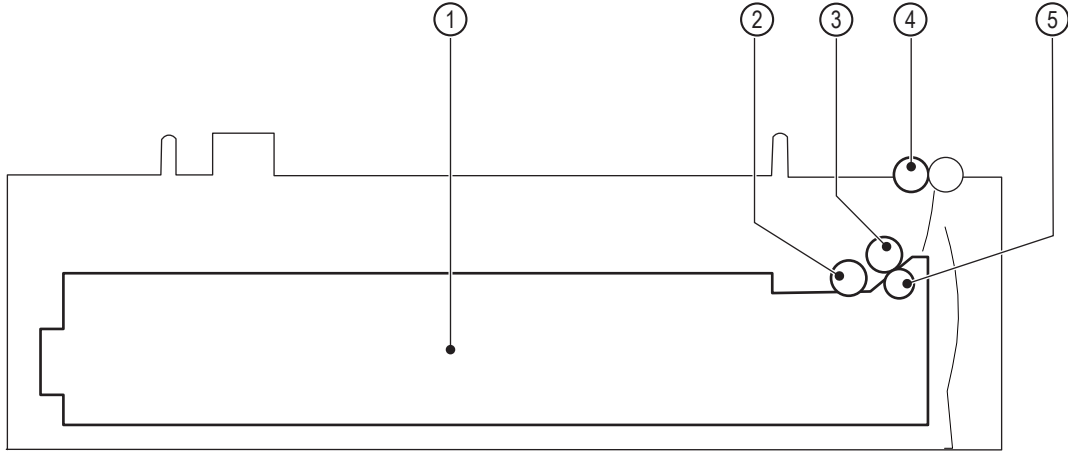
**Figure 2-56** Printer base cross section diagram



**Table 2-18** Printer base cross section diagram

Item	Description	Item	Description
1	Photosensitive drum	13	ITB drive roller
2	Intermediate transfer belt (ITB) toner collection box	14	Registration density sensor
3	ITB	15	Media sensor
4	Primary transfer (T1) roller	16	Registration roller
5	Output roller	17	Tray 1 (multipurpose tray) pickup roller
6	Duplex switchback roller (M552dn, M553dn, M553x)	18	Tray 1 (multipurpose tray) separation roller
7	Duplex flapper (M552dn, M553dn, M553x)	19	Duplex re-pickup roller (M552dn, M553dn, M553x)
8	Fuser film	20	Tray 2 feed roller
9	Pressure roller	21	Tray 2 separation roller
10	Fuser	22	Tray 2 pickup roller
11	Duplex feed roller (M552dn, M553dn, M553x)	23	Tray 2
12	Secondary transfer (T2) roller	24	Laser/scanner assembly

**Figure 2-57** 1x550-sheet paper feeder cross section diagram



**Table 2-19** 1x550-sheet paper feeder cross section diagram

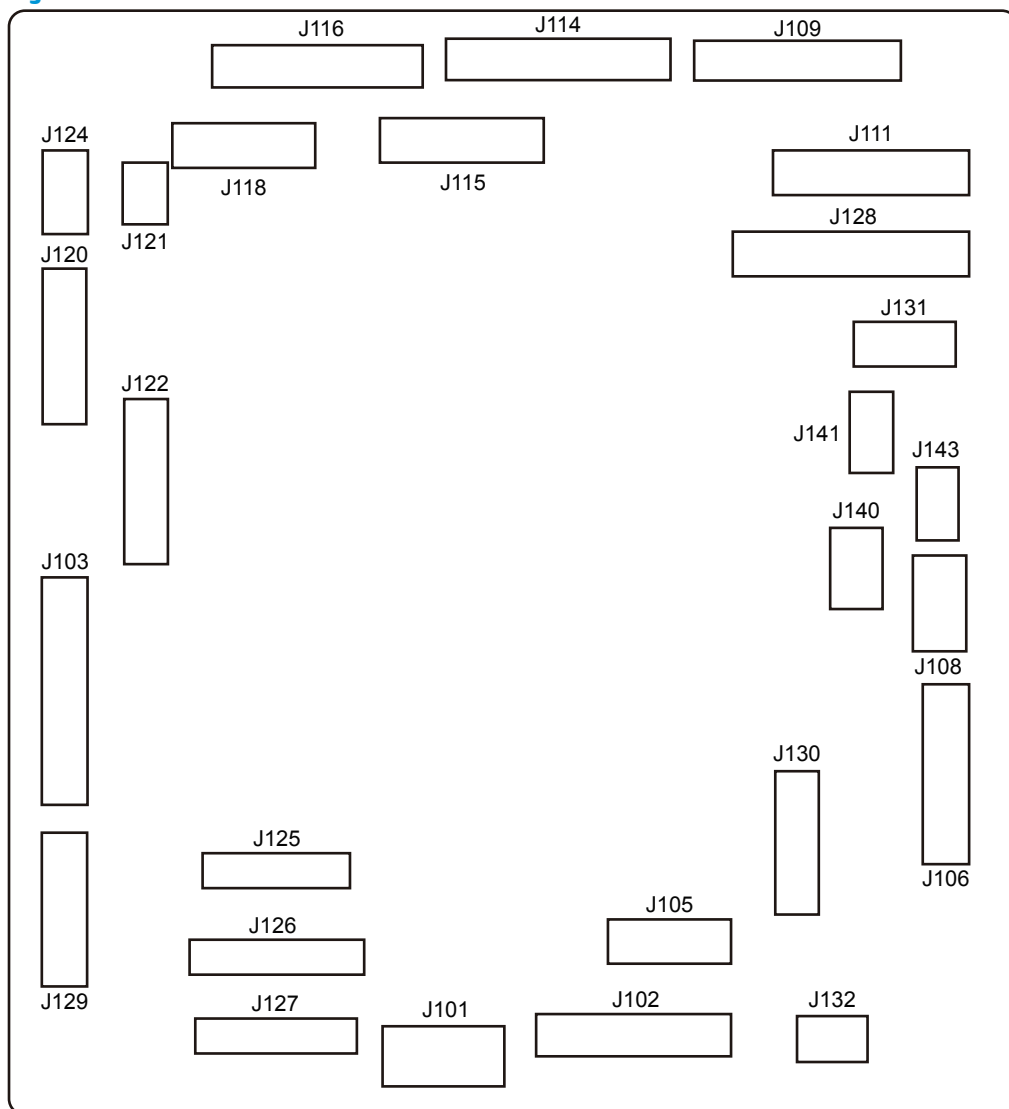
Item	Description	Item	Description
1	Tray 3/4/5	4	Feed roller
2	Tray 3/4/5 pickup roller	5	Tray 3/4/5 separation roller
3	Tray 3/4/5 feed roller		

### Diagrams: Printed circuit assembly (PCA) connector locations

Use the figures in this section to identify PCA connectors.

## DC controller PCA

**Figure 2-58** DC controller PCA



**Table 2-20** DC controller PCA

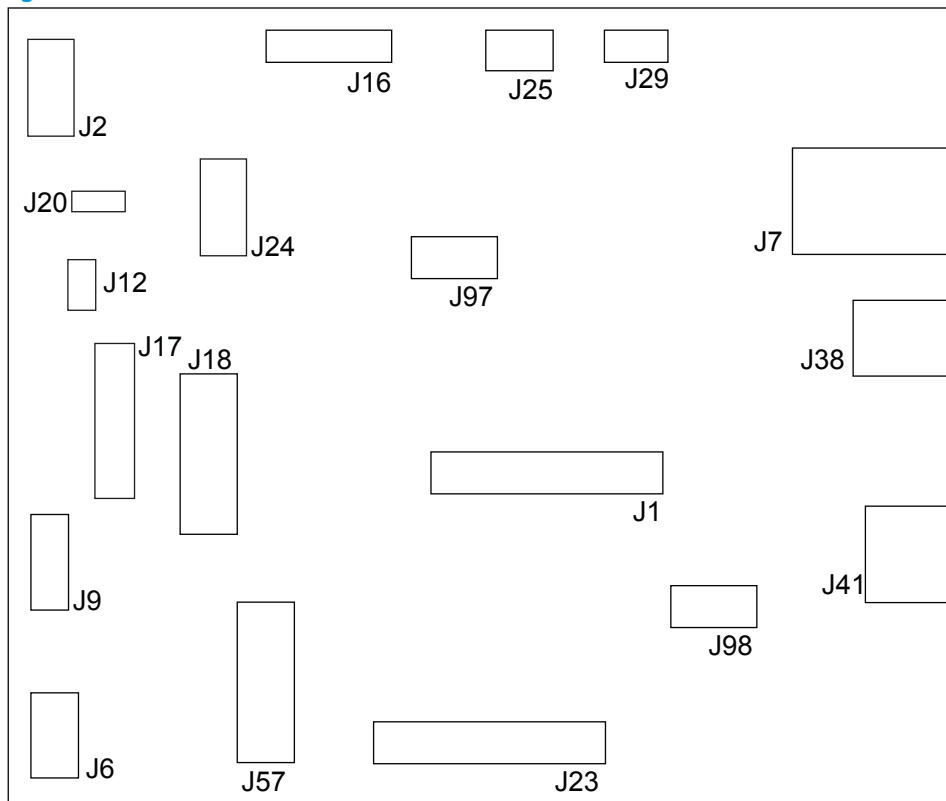
Item	Description	Item	Description
J101	Low-voltage power supply assembly (LVPS) 24V interlock switch	J122	Tray 2 (cassette) pickup clutch (CL1) Tray 1 (multipurpose tray pickup solenoid (SL2) Tray 2 (cassette) detection switch (SW5) Environmental sensor Tray 1 (multipurpose tray) media-out sensor (SR8)
J102	LVPS	J124	Media sensor (SE1)
J103	Scanner motor (M7) Memory chip, toner cartridges Paper feeder	J125	High-voltage power supply D (HVPSD)

**Table 2-20 DC controller PCA (continued)**

<b>Item</b>	<b>Description</b>	<b>Item</b>	<b>Description</b>
J105	LVPS	J126	Y/M laser assembly
J106	Formatter	J127	C/K laser assembly
J108	Empty	J128	Fuser power supply (FPS)
J109	High-voltage power supply T (HVPST)	J129	Y/M/C/K toner level sensor
J111	Drum motor 1 (M1) Drum motor 2 (M2)	J130	Drum motor 3 (M3) Developer home position sensor
J114	Fuser motor (M4) Primary transfer (T1) roller alienation solenoid Drum home position sensor 1 Drum home position sensor 2 Drum home position sensor 3	J131	Output bin media-full sensor (SR10) High-voltage power supply T (HVPST)
J115	Right door switch Power supply switch Fuser pressure release sensor Pre-exposure LED 3 - 4	J132	Developer alienation (disengagement) motor (M6)
J116	Fuser	J140	Empty
J118	Duplex re-pickup clutch (CL2; duplex models only) Top-of-Page (TOP) sensor (SR6, duplex; SR6N, simplex) Media width sensor, front (SR13, duplex; SR13N simplex) Media width sensor, rear (SR14, duplex; SR14N simplex)	J141	Empty
J120	Registration density sensor, front Registration density sensor, rear	J143	Empty
J121	Tray 2 (cassette) media-out sensor		

## Formatter PCA (M552 and M553)

**Figure 2-59** Formatter PCA

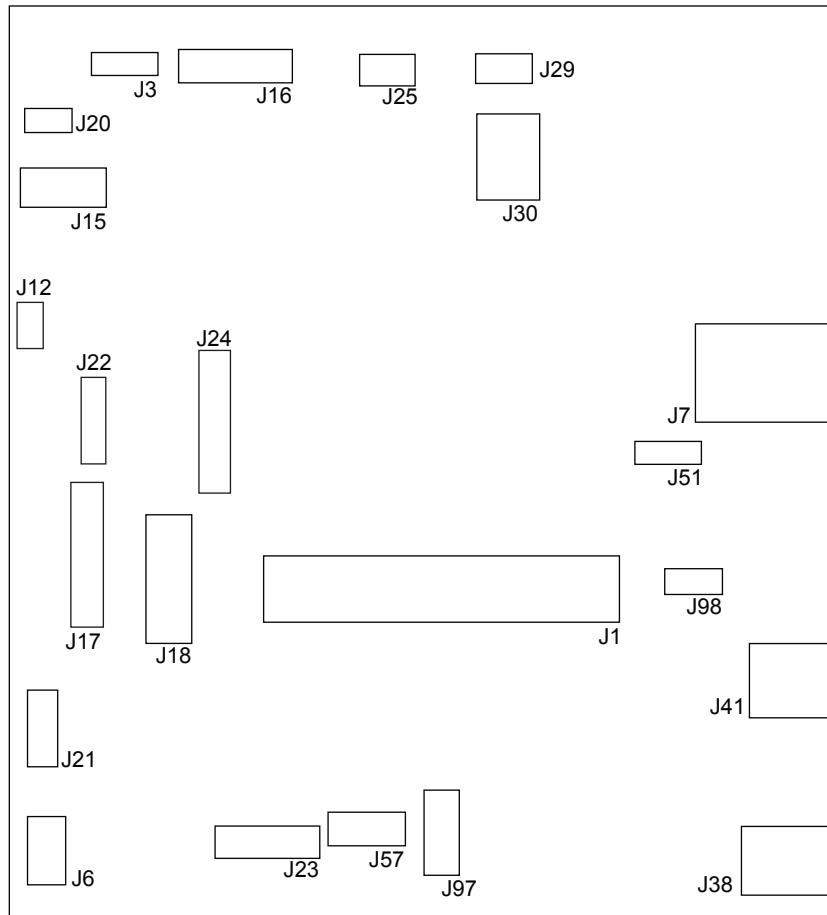


**Table 2-21** Formatter PCA

Item	Description	Item	Description
J1	Slim DIMM	J23	Not used
J2	Control panel (touchscreen models)	J24	Not used
J6	Formatter Power Cable	J25	Wireless cable
J7	Network LAN	J29	IOD
J9	AA module power cable	J38	USB-device
J12	HIP/AA USB	J41	USB-host
J16	Control panel power cable	J57	BASH
J17	DC controller (flat cable)	J97	Embedded MultiMedia Card (eMMC)
J18	Hard-disk drive (optional HDD)	J98	Trusted Platform Module (optional TPM)
J20	Walkup USB		

## Formatter PCA (M577)

**Figure 2-60** Formatter PCA



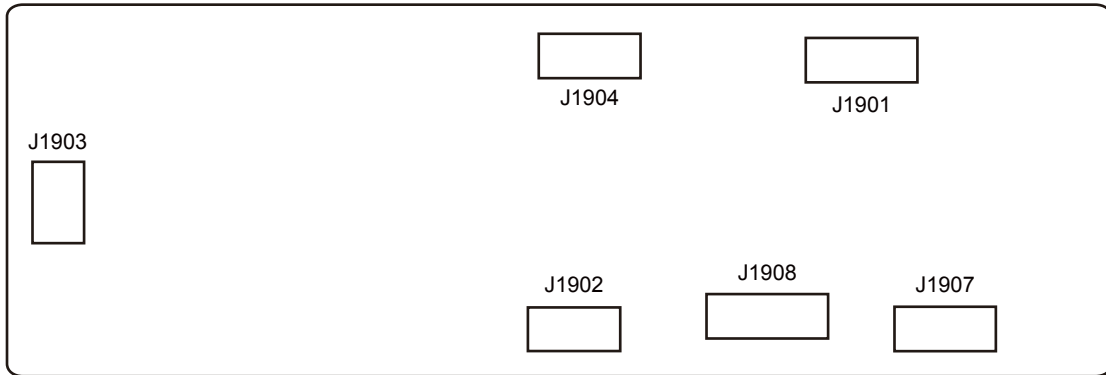
**Table 2-22** Formatter PCA

Item	Description	Item	Description
J1	DIMM	J23	Not used
J3	Dedicated NFC (not used)	J24	Not used
J6	Formatter power cable	J25	Wireless cable
J7	Network LAN	J29	Island of Data (IOD)
J12	HIP	J30	Control panel HDMI
J15	Fax	J38	USB-device
J16	Control panel sideband cable	J41	USB-host
J17	DC controller (flat cable)	J51	BASH
J18	Hard-disk drive	J57	Debug
J20	Easy-access USB	J97	eMMC
J21	Accessible Architecture (AA)	J98	Trusted Platform Module (optional TPM)
J22	Scanner HDMI		



## 1x550-sheet paper feeder PCA

**Figure 2-61** 1x550-sheet paper feeder PCA

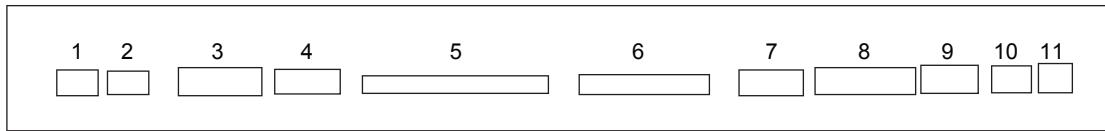


**Table 2-23** 1x550-sheet paper feeder PCA

Item	Description	Item	Description
J1901	DC controller PCA or paper feeder	J1904	Tray 3/4/5 (cassette) media-out sensor (SR20) Feed sensor (SR21)
J1902	Tray 3/4/5 (cassette) pickup clutch (CL20) Right door switch Tray 3/4/5 (cassette) detection switch (SW21)	J1907	Paper feeder
J1903	Feed motor (M20)	J1908	Empty

## Scanner control board PCA

**Figure 2-62** Scan control board PCA



**Table 2-24** Scan control board PCA

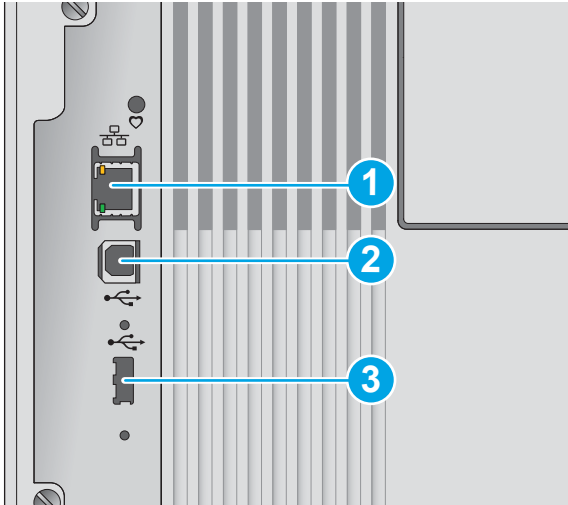
Item	Description	Item	Description
1	Stapler power	7	Document feeder motors (feed and deskew)
2	Scan control board power (24V)	8	Document feeder sensors (prescan, media present, and top hatch)
3	PAM to SCAM communication (HDMI)	9	Document feeder ultrasonic sensor receiver and deskew sensor
4	Image scanner sensors (paper feeder open and image scanner media length) and cave LED	10	Document feeder letter/legal input tray sensor
5	Image scanner (S1) FFC (scanner data and image scanner motor)	11	Document feeder ultrasonic sensor transmitter
6	Document feeder (S2) FFC (scanner data)		

## Diagrams: External plug and port locations

Use the following figure to locate and identify the printer external port locations.

 **NOTE:** The power cord plug is below the formatter, on the left-hand side of the printer.

**Figure 2-63** External plug and port locations



**Table 2-25** External plug and port locations

Item	Description
1	Local area network (LAN) Ethernet (RJ-45) network port
2	Hi-Speed USB 2.0 printing port
3	USB port for connecting external USB devices (this port might be covered)

**NOTE:** For easy-access USB printing, use the USB port near the control panel.

## Diagrams: Locations of major assemblies

Use the figure in this section to identify and locate major components and assemblies in the printer.

### Main assemblies (printer base)

Figure 2-64 Main assemblies, printer base (1 of 2)

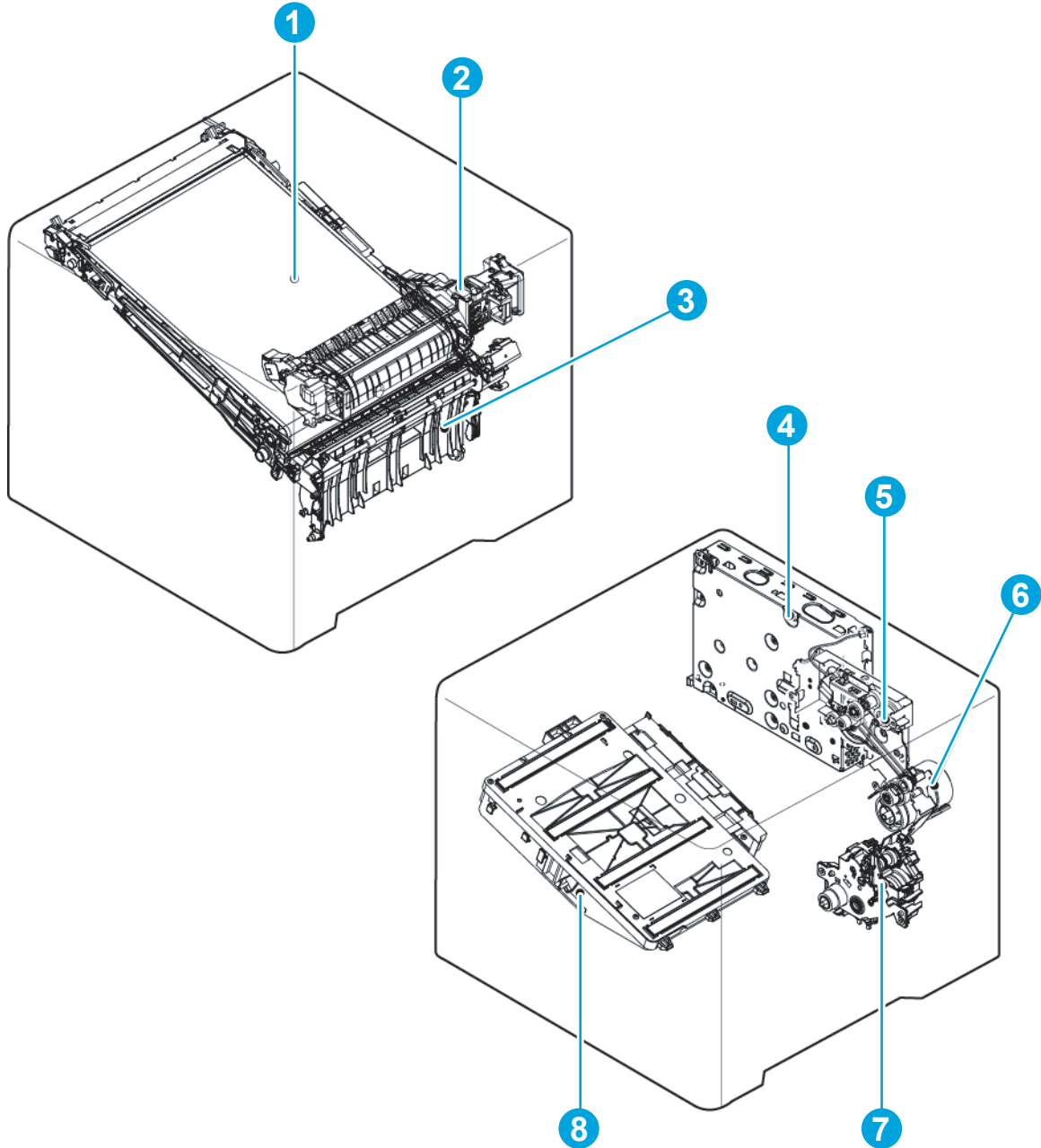


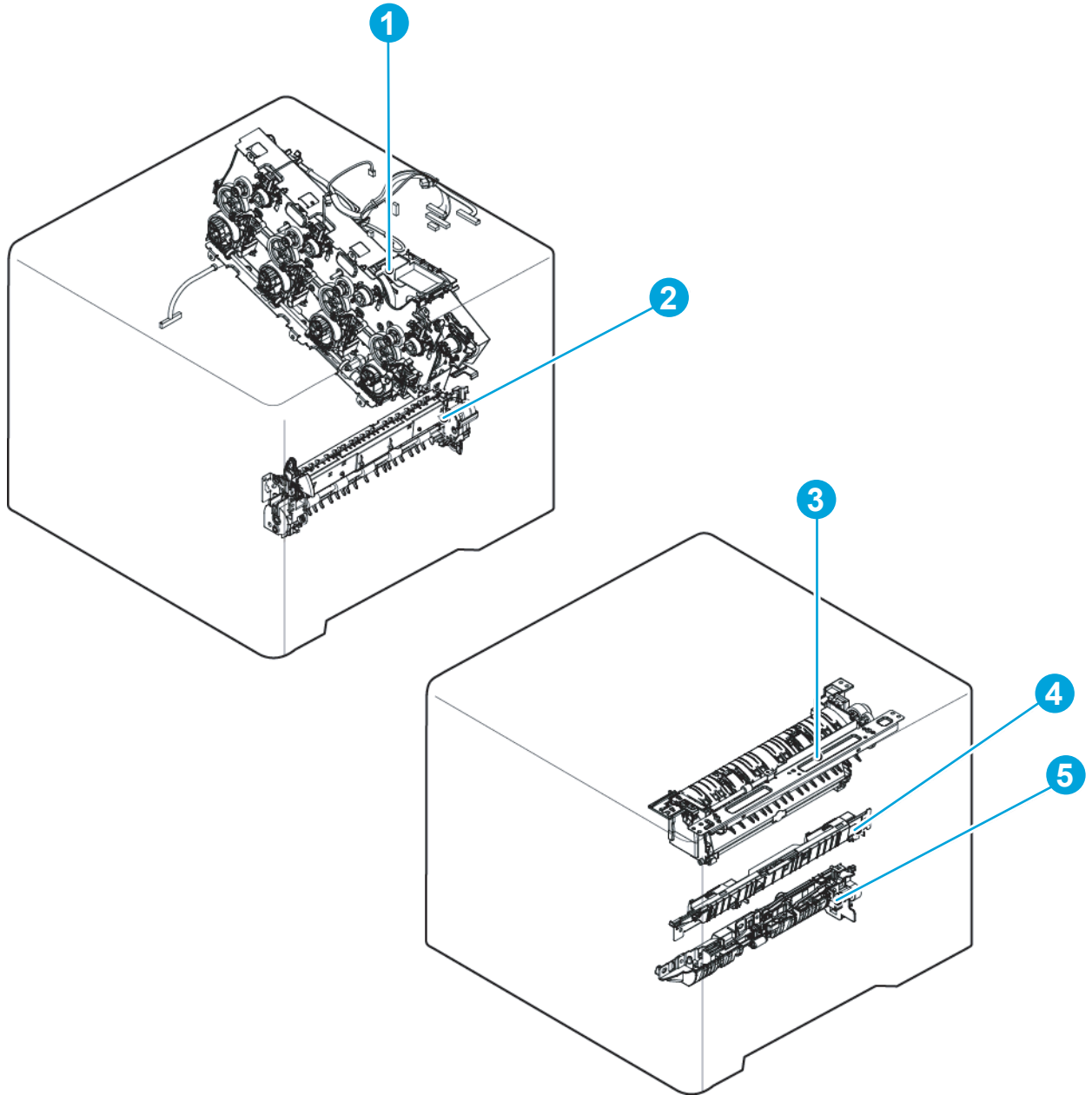
Table 2-26 Main assemblies, printer base (1 of 2)

Item	Description	Item	Description
1	Intermediate transfer belt (ITB)	5	Fuser drive assembly
2	Fuser	6	Pickup drive assembly

**Table 2-26 Main assemblies, printer base (1 of 2) (continued)**

Item	Description	Item	Description
3	Secondary transfer (T2) roller assembly	7	Lifter drive assembly
4	Formatter case assembly	8	Laser/scanner assembly

**Figure 2-65 Main assemblies, printer base (2 of 2)**



**Table 2-27 Main assemblies, printer base (2 of 2)**

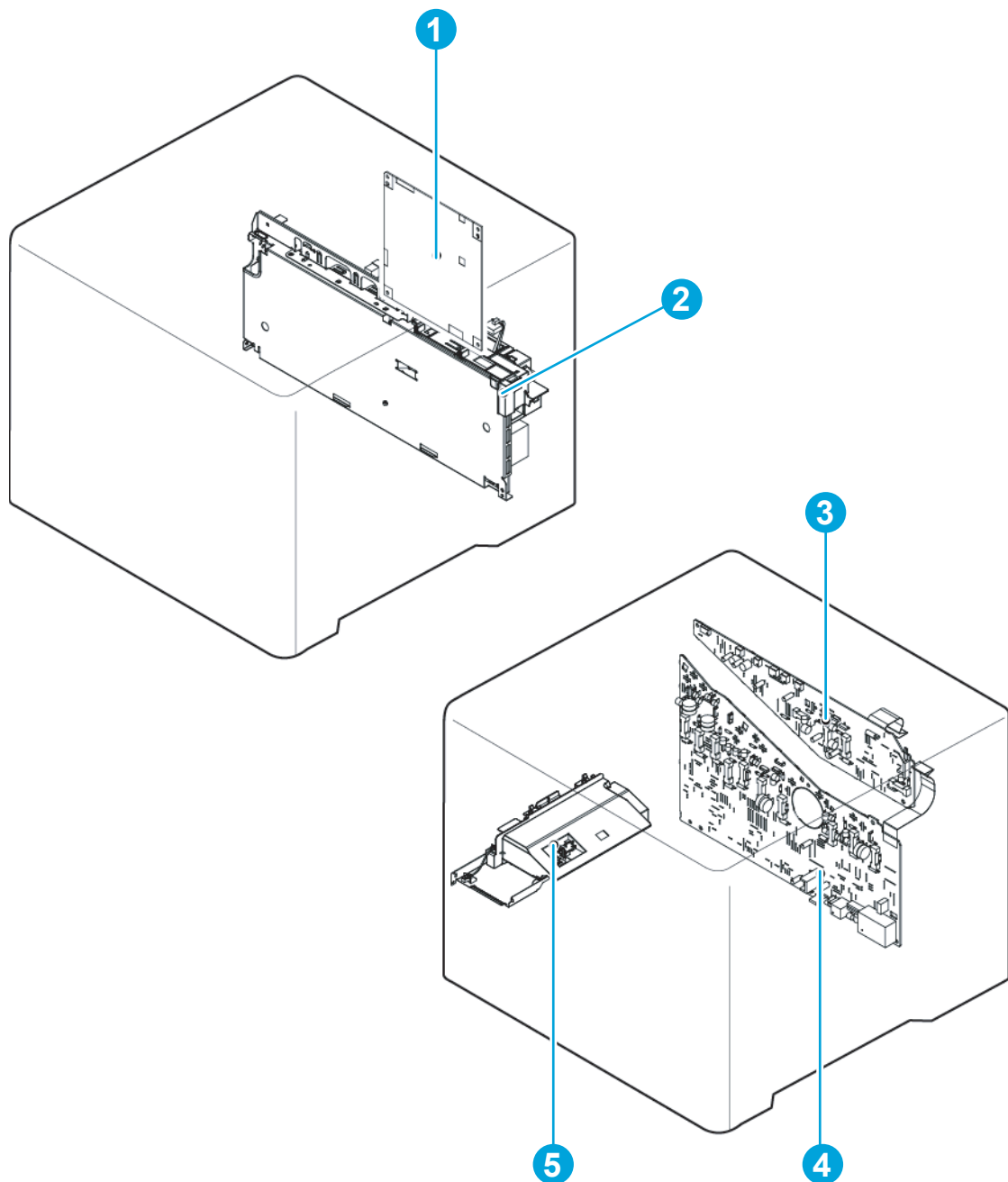
Item	Description	Item	Description
1	Main drive assembly	4	Registration density sensor assembly

**Table 2-27 Main assemblies, printer base (2 of 2) (continued)**

<b>Item</b>	<b>Description</b>	<b>Item</b>	<b>Description</b>
2	Registration assembly	5	Cassette pickup assembly
3	Delivery assembly		

## Printed circuit assembly (PCA) locations

**Figure 2-66** PCA locations (printer base)



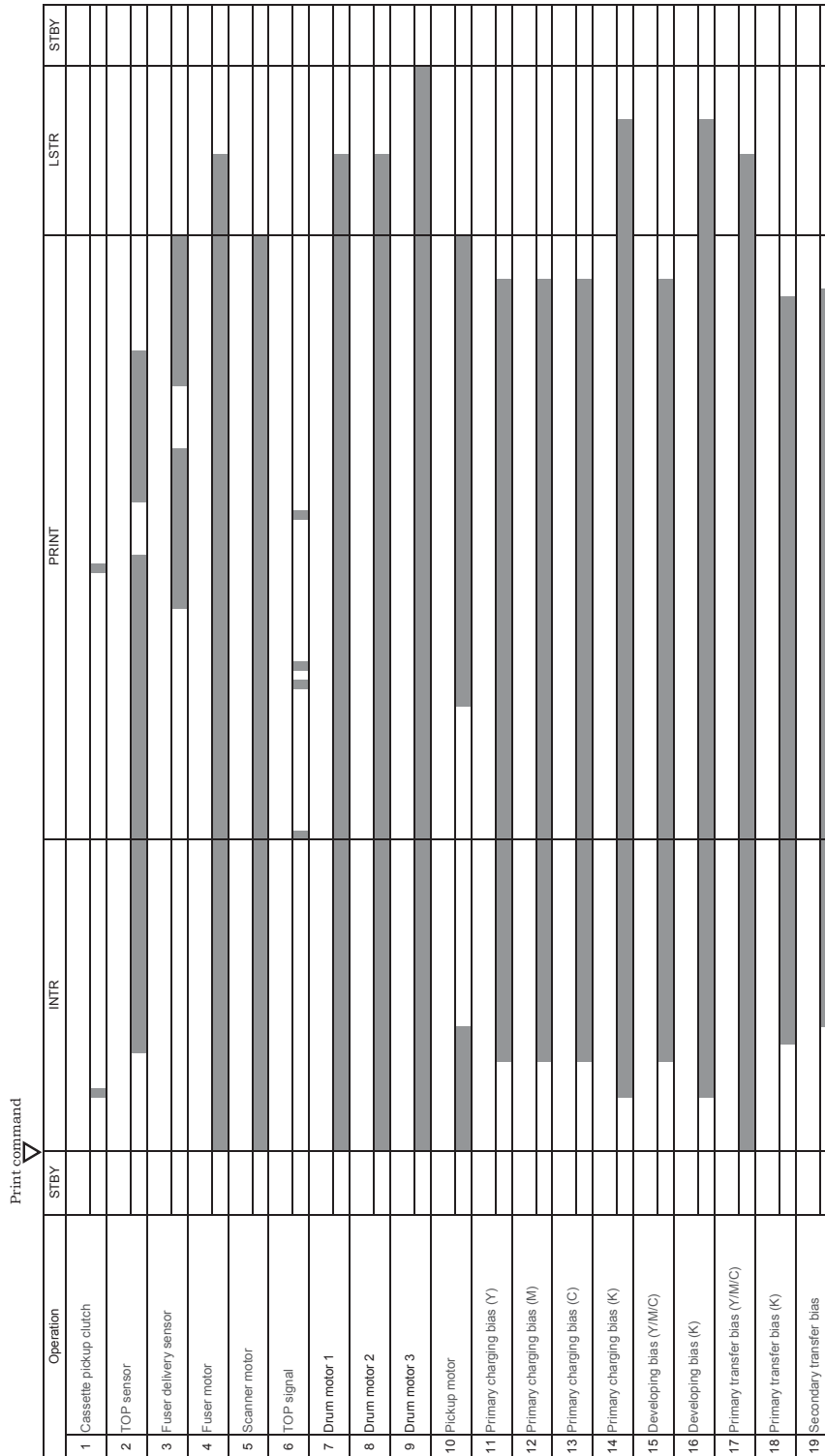
**Table 2-28** PCA locations (printer base)

Item	Description	Item	Description
1	DC controller	4	High-voltage power supply D (HVP5D)
2	Low-voltage power supply (LVP5)	5	Fuser power supply (FPS)
3	High-voltage power supply T (HVPST)	Not shown	Formatter

**NOTE:** Located to the right of the DC controller.

## Diagrams: General timing chart

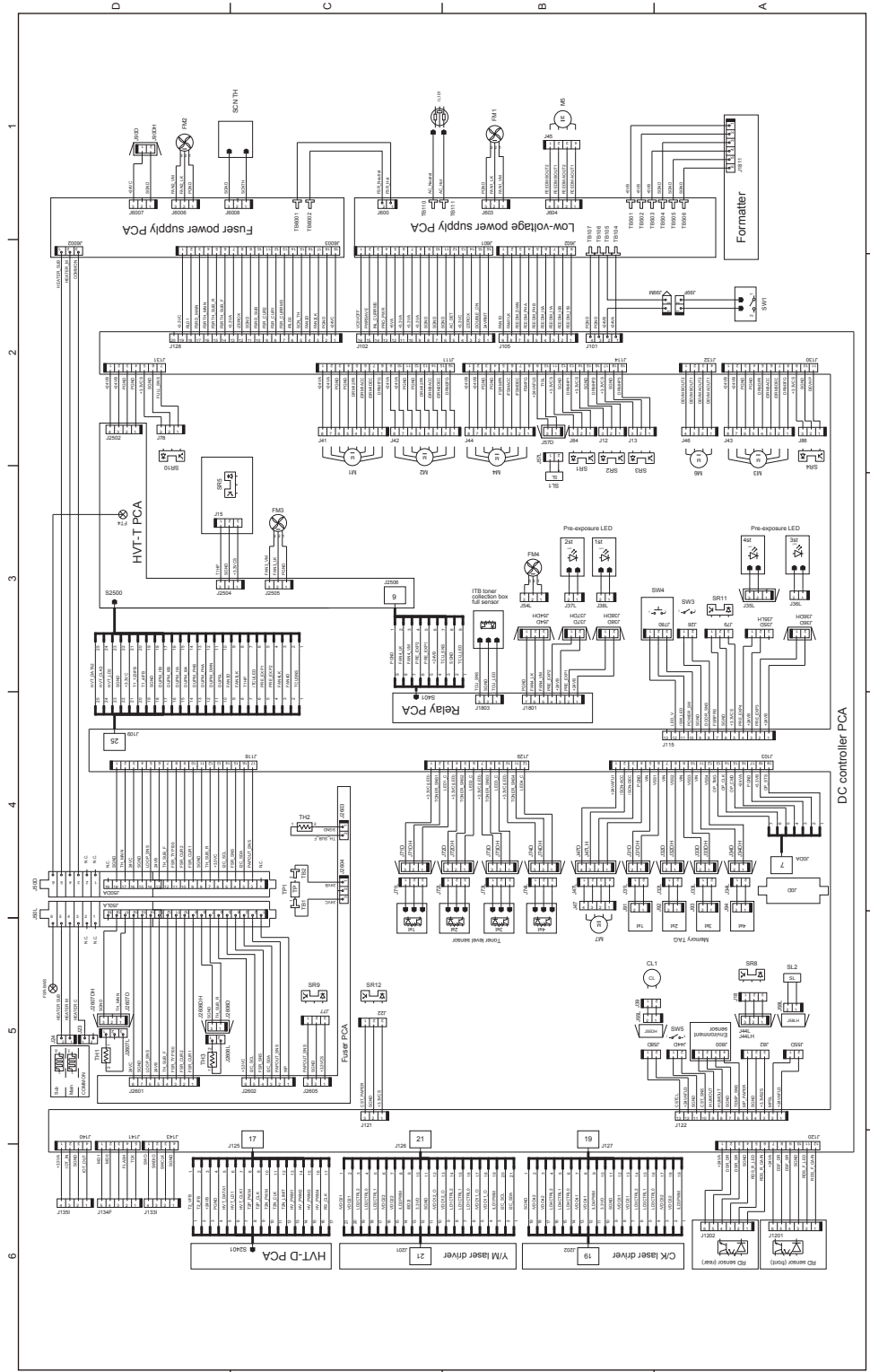
Figure 2-67 General timing chart





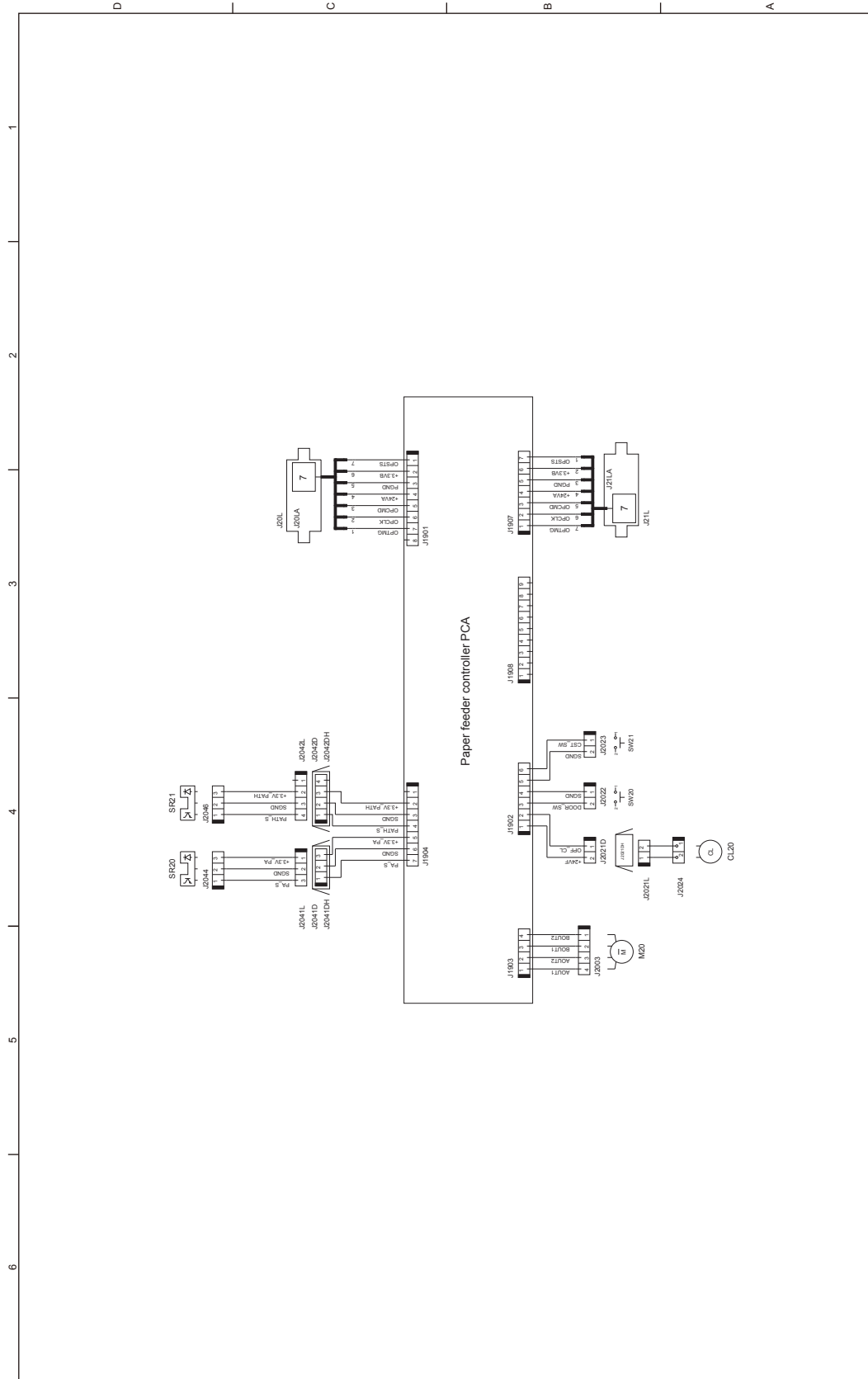
# Diagrams: General circuit diagrams

Figure 2-68 General circuit diagram (printer base) (1 of 2)





**Figure 2-70** General circuit diagram 1x550-sheet paper feeder



## Internal test and information pages

### Print a configuration page



**NOTE:** Depending on the model, up to three pages print when printing a configuration page. In addition to the main configuration page, the HP embedded Jetdirect configuration pages print.

---

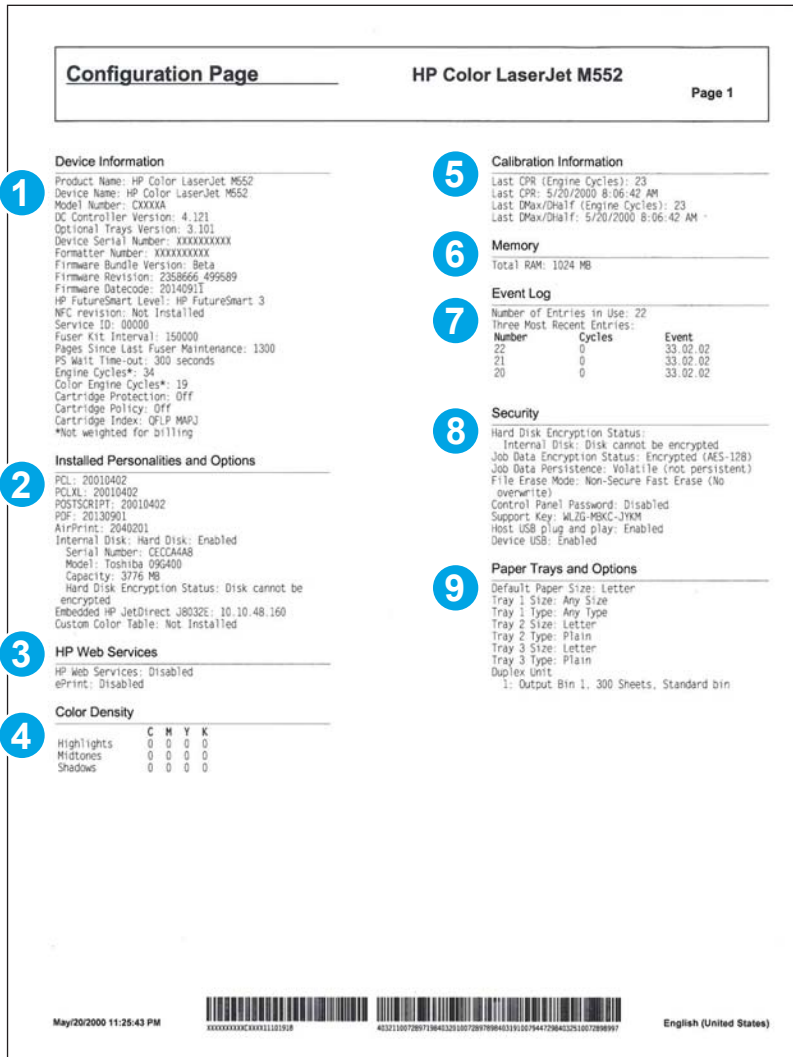
#### Print the configuration page from a touchscreen control panel

1. From the [Home](#) screen on the printer control panel, scroll to and touch the [Administration](#) button.
2. Open the following menus:
  - [Reports](#)
  - [Configuration/Status Pages](#)
3. Touch [Configuration Page](#) to select it.
4. Touch the [Print](#) button to print the pages.

#### Print the configuration page from an LCD control panel

1. From the [Home](#) screen on the printer control panel, use the down arrow ▼ button to scroll to [Administration](#), and then press the [OK](#) button.
2. Open the following menus:
  - [Reports](#)
  - [Configuration/Status Pages](#)
3. Use the down arrow ▼ button to scroll to [Configuration Page](#), and then press the [OK](#) button to select it.
4. Use the up arrow ▲ button to scroll to [Print](#), and then press the [OK](#) button to print the pages.

**Figure 2-71** Configuration page



**Table 2-29** Configuration page

Item	Description	Item	Description
1	Device information	6	Memory
2	Installed personalities and options	7	Event log
3	HP Web services	8	Security
4	Color density	9	Paper trays and options
5	Calibration information		

## HP embedded Jetdirect page

The second configuration page is the HP embedded Jetdirect page, which contains the following information:  
Always make sure the status line under the general information line indicates "**I/O Card Ready.**"

**Figure 2-72** Configuration page

The screenshot shows the following configuration details:

- General Information (1):** Status: I/O Card Initializing; Model Number: J8029A; Hardware Address: 001122334455; Firmware Version: J0124s00140; Data Rate Detected: 10/100 Mb/s; Link Config: Unknown; Manufacturing ID: 510751070\*\*\*\*-j; Build Date: 04/08/2014 06:00:45; MS Registration: Not Registered; ePrint: Not Applicable; Email: Not Applicable.
- Security Settings (2):** IPsec: Disabled; Secure Web: HTTPS Required; Cert Expires: 2016-02-01 00:00 UTC; SNMP Versions: 1.2; SNMP Set Only Name: Not Specified; SNMP Get Only Name: Not Specified/Default; Access List: Not Specified; Admin Password: Not Specified; Announcement Agent: Success.
- Network Statistics (3):** Total Packets Received: 0; Unicast Packets Received: 0; Bad Packets Received: 0; Framing Errors Received: 0; Total Packets Transmitted: 0; Undersendable Packets: 0; Transmit Collisions: 0; Transmit Late Collisions: 0; Last Wake: 0000118A000000000000000000000000; FFFFFFFFFFFFFFFFFFFFFFFFFFFFFFFFFF; 00000000FFFFFFFFFFFFFFFFFFFFFFFF0000.
- TCP/IP (4):** IPv4: Enabled; IPv6: Enabled; Host Name: NP1334455; IPv4 Domain Name: Not Specified; IPv6 Domain Name: Not Specified; Primary DNS Server: Not Specified; Secondary DNS Server: Not Specified; DNS (IPv6): Not Specified; Not Specified; WINS Server: Not Specified; TCP Idle Timeout: 90 sec.
- IPv4 (5):** Status: Ready; IP Address: 16.87.241.20; Subnet Mask: 255.255.252.0; Default Gateway: 16.87.240.1; Config By: DHCP; DHCP Server: Not Specified; TFTP Server: Not Specified; Bonjour Service Name: Not Specified.
- IPv6 (6):** Status: Ready; Link-Local: fe80::211:22ff:fe33:4455; Stateless: Not Configured; DHCPv6: Not Configured; Manual: Not Configured.

Item	Description
1	<b>General Information</b> indicates the printer status, model number, hardware firmware version, port select, port configuration, auto negotiation, manufacturing identification, and manufactured date.
2	<b>Security Settings</b> information
3	<b>Network Statistics</b> indicates the total packets received, unicast packets received, bad packets received, framing errors received, total packets transmitted, undsendable packets, transmit collisions, and transmit late collisions.
4	<b>TCP/IP</b> information, including the IP address
5	<b>IPv4</b> information
6	<b>IPv6</b> information

## Finding important information on the configuration pages

Certain information, such as the firmware date codes, the IP address, and the email gateways, is especially helpful while servicing the printer. This information is on the various configuration pages.

**Table 2-31 Important information on the configuration pages**

Type of information	Specific information	Configuration page
<b>Firmware date codes</b>  When performing a remote firmware upgrade procedure, all of these firmware components are upgraded.	DC controller	Look on the main configuration page, under "Device Information."
	Firmware date code	Look on the main configuration page, under "Device Information."
	HP embedded Jetdirect firmware version	Look on the HP embedded Jetdirect page, under "General Information."
<b>Accessories and internal storage</b>  All optional devices that are installed on the printer should be listed on the main configuration page.  In addition, separate pages print for the optional paper handling devices and the fax accessory. These pages list more-detailed information for those devices.	Embedded HP Jetdirect	Look on the main configuration page, under "Installed Personalities and Options." Shows model and ID.
	Total RAM	Look on the main configuration page, under "Memory."
	Duplex unit	Look on the main configuration page, under "Paper Trays and Options."
Additional 500-sheet feeders	Additional 500-sheet feeders	Look on the main configuration page, under "Paper Trays and Options."
<b>Engine cycles and event logs</b>  Total page counts and maintenance kit counts are important for ongoing printer maintenance.  The configuration page lists only the three most recent errors. To see a list of the 50 most recent errors, print an event log from the <a href="#">Diagnostics</a> menu.	Engine cycles	Look on the main configuration page, under "Device Information."
	Event-log information	Event-log information

## Print a cleaning page

### Print the cleaning from a touchscreen control panel

1. From the [Home](#) screen on the printer control panel, scroll to and touch the [Device Maintenance](#) button.
2. Open the following menus:
  - [Calibration/Cleaning](#)
3. Touch [Cleaning Page](#), and then press the [OK](#) button to print the page.
4. The cleaning process can take several minutes. When it is finished, discard the printed page.

### Print the cleaning page from an LCD control panel

1. From the [Home](#) screen on the printer control panel, use the down arrow ▼ button to scroll to [Device Maintenance](#), and then press the [OK](#) button.
2. Use the down arrow ▼ button to scroll to [Calibration/Cleaning](#), and then press the [OK](#) button.
3. If necessary, use the down arrow ▼ button to scroll to [Cleaning](#), and then press the [OK](#) button to print the page.
4. Follow the instruction on the printed cleaning page to finish the cleaning page process.

### Enable and configure auto cleaning

Use the procedure in this section to enable and configure the automatic cleaning function.

### To enable the auto cleaning function from a touchscreen control panel



---

**NOTE:** M553x models only.

---

1. From the [Home](#) screen on the printer control panel, scroll to and touch the [Device Maintenance](#) button.
2. Open the following menus:
  - [Calibration/Cleaning](#)
  - [Auto Cleaning](#)
3. Select the [Enable](#) item, and then touch the [Save](#) button.



## Control-panel menus

### Administration menu

Perform basic printer setup by using the [Administration](#) menu. Use the HP Embedded Web Server for more advanced printer setup. To open the HP Embedded Web Server, enter the printer IP address or host name in the address bar of a Web browser.

### Reports menu

**To display:** At the printer control panel, select the [Administration](#) menu, and then select the [Reports](#) menu.



**NOTE:** For the M553x model, use the [Print](#) button to print the report.

For all other models, use the up arrow ▲ button or down arrow ▼ button to highlight the report, and then press the [OK](#) button. Then use the ▲ button to highlight [Print](#), and then press the [OK](#) button to print the report.

**Table 2-32 Reports menu**

First level	Second level	Values	Description
Configuration/Status Pages	Administration Menu Map		Shows a map of the entire <a href="#">Administration</a> menu and the selected values for each setting.
	Current Settings Page		Print a summary of the current settings for the printer. This might be helpful when making changes and need a record of the current printer configuration.
	Configuration Page		Shows the printer settings and installed accessories.
	How to Connect Page		Shows network connection information.
	Supplies Status Page		Shows the approximate remaining life for the supplies; reports statistics on total number of pages and jobs processed, serial number, page counts, and maintenance information.  HP provides approximations of the remaining life for the supplies as a customer convenience. The actual remaining supply levels might be different from the approximations provided.
	Usage Page		Shows a count of all paper sizes that have passed through the printer; lists whether they were simplex, duplex, monochrome, or color; and reports the page count.
	File Directory Page		Shows the file name and folder name for files that are stored in the printer memory.


**Table 2-32 Reports menu (continued)**

<b>First level</b>	<b>Second level</b>	<b>Values</b>	<b>Description</b>
Configuration/Status Pages (continued)	Web Services Status Page		Shows the detected Web Services for the printer.
	Color Usage Page		Shows the number of color and monochrome pages printed, and a list of users printing pages using the printer.
Fax Reports	Fax Activity Log		
	Billing Codes Report		Provides a list of billing codes that have been used for outgoing faxes. This report shows how many sent faxes were billed to each code.
	Blocked Fax List		A list of phone numbers that are blocked from sending faxes to this printer.
	Speed Dial List		Shows the speed dials that have been set up for this printer.
	Fax Call Report		A detailed report of the last fax operation, either sent or received.
Other Pages	Demonstration Page		Prints a demonstration page.
	RGB Samples		Prints color samples for different RGB values. Use the samples as a guide for matching printed colors.
	CMYK samples		Prints color samples for different CMYK values. Use the samples as a guide for matching printed colors.
	PCL Font List		Prints the available PCL fonts.
	PS Font List		Prints the available PS fonts.

## General Settings menu

**To display:** At the printer control panel, select the [Administration](#) menu, and then select the [General Settings](#) menu.

In the following table, asterisks (\*) indicate the factory default setting.

 **NOTE:** For the M553x and M577 models, use the [Save](#) button to save a selected option.

For all other models, use the up arrow ▲ button or down arrow ▼ button to highlight an option, and then press the [OK](#) button to save the selected option.

**Table 2-33 General Settings menu**

First level	Second level	Third level	Fourth level	Values	Description
Date/Time Settings	Date/Time Format	Date Format		DD/MMM/YYYY	Use the <a href="#">Date/Time Settings</a> menu to specify the date and time and to configure date/time settings.
				MMM/DD/YYYY	
		YYYY/MMM/DD			
		Time Format		12 hour (AM/PM)	Select the format that the printer uses to show the date and time, for example 12-hour format or 24-hour format.
			24 hours		
		Date/Time	Time Zone		Select the time zone from a list.
	Date			Select the date from a pop-up calendar.	
	Time		Select the time from a pop-up keypad.		
	Adjust for Daylight Savings		Checkbox	If the geographical area uses daylight savings time, select the <a href="#">Adjust for Daylight Savings</a> box.	
	Energy Settings	Sleep Schedule	A list of scheduled events displays.		+ (Add)
				Edit	
				Delete	
				Event Type	Wake
		Sleep			

**Table 2-33 General Settings menu (continued)**

First level	Second level	Third level	Fourth level	Values	Description
Energy Settings (continued)			Event Time		
			Event Days	Select days of the week from a list.	
	Sleep Timer Settings	Sleep Mode/Auto Off After		Range: 1 to 120 minutes Default = 60 minutes	Set the number of minutes after which the printer enters Sleep or Auto Off mode. Use the arrow buttons on the control panel to increase or decrease the number of minutes.
		Wake/Auto On to These Events			All Events* Network port Power button only
	Optimum Speed/ Energy Usage			Faster first page* Save energy Save more energy Save most energy	
Print Quality	Adjust Color	Highlights	Cyan Magenta Yellow Black Default	-5 to 5	Use this item to set the default print-quality values and to trigger cleaning actions for optimum print quality. If specific types of paper are used, or using the printer in extreme environments, adjustments in this menu might be required.  Highlights are the brightest color-values in an image. For each color, select a setting to adjust the darkness or lightness of highlights on the printed page. Decrease the value to lighten the highlights. Increase the value to darken the highlights.  <b>Default:</b> Resets all the color-density settings to the factory default values.

**Table 2-33 General Settings menu (continued)**

First level	Second level	Third level	Fourth level	Values	Description
Print Quality (continued)		Midtones	Cyan Magenta Yellow Black	-5 to 5	Midtones are the middle-range color values in an image. For each color, select a setting to adjust the darkness or lightness of midtones on the printed page. Decrease the value to lighten the midtones. Increase the value to darken the midtones.
		Shadows	Cyan Magenta Yellow Black Default	-5 to 5	Shadows are the darkest color values in an image. For each color, select a setting to adjust the darkness or lightness of shadows on the printed page. Decrease the value to lighten the shadows. Increase the value to darken the shadows.
		Restore Color Values			Resets all the color-density settings to the factory default values.

**Table 2-33 General Settings menu (continued)**

First level	Second level	Third level	Fourth level	Values	Description
Print Quality  (continued)	Image Registration	Adjust Tray <X>	Print Test Page		<p>Shift the margin alignment to center the image on the page from top to bottom and from left to right. This item can also align the image on the front with the image printed on the back.</p> <p>Use the <a href="#">Adjust Tray &lt;X&gt;</a> menu to adjust the registration settings for each tray. Before adjusting these values, print a registration test page. It provides alignment guides in the X and Y directions used to determine which adjustments are necessary. Adjust the values for X1 Shift, X2 Shift, Y1 Shift, and Y2 shift.</p> <p>Use the <a href="#">Print Test Page</a> option to print a page to test the image registration. It provides alignment guides in the X and Y directions used to determine which adjustments are necessary.</p>

**Table 2-33 General Settings menu (continued)**

First level	Second level	Third level	Fourth level	Values	Description
Print Quality (continued)			X1 Shift Y1 Shift X2 Shift Y2 Shift	-5.00 mm to 5.00 mm	<p>The direction that is perpendicular to the way the paper passes through the printer is referred to as X. This is also known as the scan direction. X1 is the scan direction for a single-sided page or for the second side of a two-sided page. X2 is the scan direction for the first side of a two-sided page.</p> <p>The direction that the paper feeds through the printer is referred to as Y. Y1 is the feed direction for a single-sided page or for the second side of a two-sided page. Y2 is the feed direction for the first side of a two-sided page.</p>
	Auto Sense Mode (M552/M553)	Tray 1 Sensing		Full sensing Expanded sensing* Transparency Only	<p>Use the <b>Auto Sense Mode</b> feature to configure which paper types the printer should automatically sense. The following settings are available:</p> <p><b>Full sensing:</b> Use this setting to suppress media type misprints (might result in slower printer performance and possible decreased cartridge life).</p> <p><b>Expanded sensing:</b> The printer senses only the first page and assumes the rest of the pages are the same type.</p> <p><b>Transparency Only:</b> The printer senses only the first page. The printer distinguishes transparencies from other paper types.</p>
	Auto Sense Behavior (M577)				

**Table 2-33 General Settings menu (continued)**

First level	Second level	Third level	Fourth level	Values	Description
Print Quality (continued)		Tray X Sensing (M552/M553)		Expanded sensing*	When configuring the <a href="#">Auto Sense Mode</a> option for Tray 1 and Tray 2, the <x> variable represents the highest number of trays installed on the printer.
		Tray >1 Sensing (M577)		Transparency Only	
	Adjust Paper Types	Select from a list of paper types that the printer supports. The available options are the same for each paper type.	Print Mode	Select from a list of print modes.	Changing the <a href="#">Print Mode</a> setting is usually the first thing to try to resolve print-quality problems. Problems can include toner not sticking well to the page, a faint image of the page repeated on the same or following page, incorrect gloss level, etc.
			Resistance Mode	Normal* Up Down	Use this setting to correct print quality problems in low-humidity environments and highly resistive paper. Use the <a href="#">Up</a> option to solve print quality problems that are related to poor toner-transfer. Use the <a href="#">Down</a> option in the event that small, “pin-hole” defects occur.
			Humidity Mode	Normal* Alternate 1 (M552/M553) Alternate 2 (M552/M553) Alternate 3 (M552/M553) High (M577)	Use this setting to correct print quality problems in high humidity environments. Use the alternate settings if the printer is in a high humidity environment and it is experiencing problems with low toner density on the first page of a job.
			Pre-Rotation Mode	Off On*	
			Fuser Temp Mode	Up Down Normal*	Use this feature to eliminate ghost images on printed pages.



**Table 2-33 General Settings menu (continued)**

First level	Second level	Third level	Fourth level	Values	Description
Print Quality (continued)	Optimize	Normal paper	Paper Curl Mode	Normal*	Use this setting to reduce paper curl in print jobs.
				Reduced	
			Standard*	Use to optimize various print modes that address print quality issues.	
					Smooth
			Heavy paper	Standard*	Use the <b>Smooth</b> setting to correct print quality problems when using very smooth paper of normal weight.
			Best Normal (M552/M553)	Normal*	If envelopes are sticking together in the output bin, use this setting to reduce the fuser temperature.
			Envelope Control (M577)	Normal*	Enable if the printer is operating in a low temperature environment and is having problems with print quality such as blisters in the printed image.
Environment (M552/M553)	Normal*	Use this setting if there are scattered lines in printed pages.			
			Low Voltage		
Line Voltage (M552/M553)	Normal*				
			Low Voltage		

**Table 2-33 General Settings menu (continued)**

First level	Second level	Third level	Fourth level	Values	Description
Print Quality (continued)		Tray 1		Normal* Alternate	Affects how often the printer performs an internal cleaning procedure. Use the <a href="#">Alternate</a> setting if the printer is having problems with extra toner on pages. In this mode, the printer performs the cleaning procedure after each job that is printed from Tray 1. Using this mode increases wear on all the toner cartridges.
		Background		Normal* Alternate 1 Alternate 2 Alternate 3	Use if pages are printing with a shaded background. Using this feature might reduce gloss levels. Use the <a href="#">Alternate 1</a> setting if the page shows a shaded background on the entire page. Use the <a href="#">Alternate 2</a> setting if the page is showing thin vertical lines on the background. The <a href="#">Alternate 3</a> setting applies the <a href="#">Alternate 1</a> setting and the <a href="#">Alternate 2</a> setting at the same time. Use this setting if the first two settings do not correct the problem.

**Table 2-33 General Settings menu (continued)**

First level	Second level	Third level	Fourth level	Values	Description
Print Quality  (continued)		Uniformity control		Normal*	This setting might help correct uniformity in print quality issues, such as a mottled appearance due to poor transfer of toner onto the page. The <a href="#">Alternate 1</a> setting increases the T1 transfer bias and can be used for any media type. The <a href="#">Alternate 2</a> setting decreases the fuser temperature and reduces the throughput. Use this setting if the printer is experiencing mottled output due to poor fusing on normal or light paper types. The <a href="#">Alternate 3</a> setting applies the <a href="#">Alternate 1</a> setting and the <a href="#">Alternate 2</a> setting at the same time. Use this setting if the first two settings do not correct the problem.
				<a href="#">Alternate 1</a>	
				<a href="#">Alternate 2</a> (M552/M553) <a href="#">Alternate 3</a> (M552/M553)	
			Tracking control	On*  Off	Normally, this setting should be set to <a href="#">On</a> . Tracking control algorithm is turned ON/OFF. It is not expected that the customer will ever need to change this setting.
			Registration	Normal*  Alternate	Use this setting if the printer is having trouble with color-planes shifting or overlapping on the page. Use the <a href="#">Alternate</a> setting if the page has color mis-registration problems.

**Table 2-33 General Settings menu (continued)**

First level	Second level	Third level	Fourth level	Values	Description
Print Quality  (continued)		Transfer control		Normal*	Use this setting to correct transfer issues in print jobs. Turn this feature on if green, mottled images are printed on the page. Note that using this mode can increase problems with blurry images or specks of toner on the leading or trailing edge of the paper. The <a href="#">Alternate 1</a> setting reduces the T1 bias and should be used when re-transfer occurs. The <a href="#">Alternate 2</a> setting increases the inter-page gap. Using this setting reduces throughput and might decrease the print-cartridge life. The <a href="#">Alternate 3</a> setting applies the <a href="#">Alternate 1</a> setting and the <a href="#">Alternate 2</a> setting at the same time. Use this setting if the first two settings do not correct the problem.
				<a href="#">Alternate 1</a>	
				<a href="#">Alternate 2</a> (M552/M553)	
				<a href="#">Alternate 3</a> (M552/M553)	
		<a href="#">Fuser Temp</a> (M552/M553)		Normal*	If the page shows a faint image of the page repeated at the bottom of the page or on the following page, first make sure the <a href="#">Adjust Paper Types</a> setting and the <a href="#">Print Mode</a> setting are correct for the type of paper used. If ghost images continue to appear on the print jobs, set the <a href="#">Fuser Temp</a> feature to the <a href="#">Alternate</a> setting.
				<a href="#">Alternate</a>	
		<a href="#">Restore Optimize</a>			Use to return all the settings in the <a href="#">Optimize</a> menu to the factory-default values.
	<a href="#">Resolution</a>			<a href="#">Image Ret 3600</a>	Sets the resolution at which the printer prints.

**Table 2-33 General Settings menu (continued)**

First level	Second level	Third level	Fourth level	Values	Description
Print Quality (continued)	Edge control			Off Light Normal* Maximum	<p>This setting determines how edges are rendered. <b>Edge Control</b> has two components: adaptive half-toning and trapping. Adaptive half-toning increases edge sharpness. Trapping reduces the effect of color-plane misregistration by overlapping the edges of adjacent objects slightly. Select one of the following options:</p> <p><b>Off:</b> Turns off both trapping and adaptive half-toning.</p> <p><b>Light:</b> Sets trapping at a minimal level, and adaptive half-toning is on.</p> <p><b>Normal:</b> Trapping is at a medium level and adaptive half-toning is on.</p> <p><b>Maximum:</b> Trapping is at the highest level, and adaptive half-toning is on.</p>

**Table 2-33 General Settings menu (continued)**

First level	Second level	Third level	Fourth level	Values	Description
Jam Recovery				Auto* (M552/M553) Automatic* (M577) Off On	<p>This printer provides a jam recovery feature that reprints jammed pages. Select one of the following options:</p> <p><b>Auto:</b> The printer attempts to reprint jammed pages when sufficient memory is available. This is the default setting.</p> <p><b>Off:</b> The printer does not attempt to reprint jammed pages. Because no memory is used to store the most recent pages, performance is optimal.</p> <p><b>NOTE:</b> When using this option, if the printer runs out of paper and the job is being printed on both sides, some pages can be lost.</p> <p><b>On:</b> The printer always reprints jammed pages. Additional memory is allocated to store the last few pages printed. This might cause a decrease in overall performance.</p>
Auto Recovery				Enabled Disabled*	The printer attempts to reprint jammed pages when sufficient memory is available. This is the default setting.
	General Stored Job Settings			Job Name* Date	This option lists the jobs either alphabetically or chronologically.
		Default Folder Name			Type the name for the stored jobs folder that is accessible to all users.

**Table 2-33 General Settings menu (continued)**

First level	Second level	Third level	Fourth level	Values	Description
Manage Stored Jobs  (continued)		Temporary Stored Jobs Limit		1-100  Default = 32	Configure global settings for jobs that are stored in the printer memory.  This feature specifies the number of jobs that can be stored on the printer. The maximum allowed value is 100.
	Temporary Stored Jobs Settings (M552/M553)	Delete Temporary Jobs After		Off*  30 Minutes (M577)  1 Hour  4 Hours  1 Day  1 Week  4 Weeks (M577)	Sets a maximum storage-time limit for stored jobs. If a stored job is not printed during this period, it is deleted.
		Sort Stored Jobs By (M577)		Job Name  Date	
		Retain Temporary Jobs after Reboot		Do not retain  Personal jobs only  All temporary jobs	
		Delete Standard Stored Jobs After (M577)		*Off*  30 Minutes  1 Hour  4 Hours  1 Day  1 Week  4 Weeks	
	Enable Retrieve from USB			Enabled  Disabled*	Enables the printer to open a file from a USB drive.
	Enable Device USB (M577)			Enabled*  Disabled	

**Table 2-33 General Settings menu (continued)**

First level	Second level	Third level	Fourth level	Values	Description
Hold Off Print Job				Enabled* Disabled	Enable this feature to prevent print jobs from starting while a user is initiating a copy job from the control panel. Held print jobs start printing after the copy job is finished, provided that no other copy job is in the print queue.
Enable Auto Send (M552/M553)				Enabled* Disabled	Use this item to enable or disable the auto send feature.
Restore Factory Settings				Restore Cancel	Use to restore all printer settings to their factory defaults.



## Copy Settings menu (M577 only)

**To display:** At the product control panel, select the [Administration](#) menu, and then select the [Copy Settings](#) menu.

In the following table, asterisks (\*) indicate the factory default setting.

**Table 2-34 Copy Settings menu (M577 only)**

First level	Second level	Third level	Values	Description
Copies			1–9999 Default = 1	Configure the default options for copy jobs. If the user does not specify the job options when creating the job, the default options are used.
Sides			1-sided original, 1-sided output* 2-sided original, 2-sided output 1-sided original, 2-sided output 2-sided original, 1-sided output	Use to indicate whether the original document is printed on one or both sides, and whether the copies should be printed on one or both sides. For example, select 1-sided original, 2-sided output when the original is printed on one side, but you want to make two-sided copies.
	Orientation	Portrait*		Specify portrait or landscape orientation and select the way the second sides are printed.  Portrait orientation means the short edge of the page is along the top.
		Landscape		Landscape orientation means the long edge of the page is along the top.

**Table 2-34 Copy Settings menu (M577 only) (continued)**

First level	Second level	Third level	Values	Description
Sides  (continued)		2-Sided Format	Book-style	If you are making two-sided copies, select a 2-sided format option.  <b>Book-style:</b> The back side of the original is printed right-side-up, and the back side of the copy is printed the same way. Use this option for originals and copies that are bound along the left edge.  <b>Flip-style:</b> The back side of the original is printed upside-down, and the back side of the copy is printed the same way. Use this option for originals and copies that are to be bound along the top edge.  <b>Book-style original; Flip-style copy:</b> The back side of the original is printed right-side-up, but the back side of the copy is printed upside-down. Use this option when the original is bound along the left edge, but you want the copies to be bound along the top edge.  <b>Flip-style original; Book-style copy:</b> The back side of the original is printed upside-down, but the back side of the copy is printed right-side-up. Use this option when the original is bound along the top edge, but you want the copies to be bound along the left edge.
			Flip-style	
			Book-style original; Flip-style copy	
			Flip-style original; Book-style copy	
Color/Black			Automatically Detect*	
			Color	
			Black	

**Table 2-34 Copy Settings menu (M577 only) (continued)**

First level	Second level	Third level	Values	Description
Collate			<p>Collate on (Sets in page order)*</p> <p>Collate off (Pages grouped)</p>	<p>If you are making more than one copy, select the <a href="#">Collate on (Sets in page order)</a> option to assemble the pages in the correct order in each set of copies.</p> <p>Select the <a href="#">Collate off (Pages grouped)</a> option to group the same pages together. For example, if you are making five copies of an original document that has two pages, all five first pages would be grouped together and all five second pages would be grouped together.</p>
Reduce/Enlarge			<p>Auto*</p> <p>100%</p> <p>75%</p> <p>50%</p> <p>125%</p> <p>150%</p> <p>200%</p> <p>Range X-Y (25-400%)</p>	<p>Use to scale the size of the document up or down. Select one of the predefined percentages, or select the <a href="#">Scaling</a> field and type a percentage between 25 and 400. The <a href="#">Auto</a> option automatically scales the image to fit the paper size in the tray.</p> <p><b>NOTE:</b> To reduce the image, select a scaling percentage that is less than 100. To enlarge the image, select a scaling percentage that is greater than 100.</p>
	Auto Include Margins			<p>The product reduces the image slightly to fit the entire scanned image within the printable area on the page.</p>
Paper Selection			<p>Manually feed</p> <p>Automatic</p> <p>Tray 1: [Type], [Size]</p> <p>Tray &lt;X&gt;: [Type], [Size]</p>	<p>For the best color and image quality, select the appropriate paper type from the control panel menu or from the print driver.</p>
Image Adjustment	Darkness		<p>Select a value using the slide bar, or touch <a href="#">Automatic</a>.</p>	<p>Use to improve the overall quality of the copy.</p> <p>Adjust the <a href="#">Darkness</a> setting to increase or decrease the amount of white and black in the colors.</p>

**Table 2-34 Copy Settings menu (M577 only) (continued)**

First level	Second level	Third level	Values	Description
Image Adjustment (continued)	Contrast		Select a value using the slide bar, or touch <a href="#">Automatic</a> .	Adjust the <a href="#">Contrast</a> setting to increase or decrease the difference between the lightest and darkest color on the page.
	Background Cleanup		Select a value using the slide bar, or touch <a href="#">Automatic</a> .	Adjust the <a href="#">Background Cleanup</a> setting if you are having trouble copying a faint image.
	Sharpness		Select a value using the slide bar, or touch <a href="#">Automatic</a> .	Adjust the <a href="#">Sharpness</a> setting to clarify or soften the image. For example, increasing the sharpness could make text appear crisper, but decreasing it could make photographs appear smoother.
	Default			Select this to make the selected <a href="#">Image Adjustment</a> setting the default value.
Content Orientation	Orientation		<a href="#">Portrait*</a> <a href="#">Landscape</a>	For some features to work correctly, you must specify the way the content of the original document is placed on the page. Portrait orientation means the short edge of the page is along the top. Landscape orientation means the long edge of the page is along the top.

**Table 2-34 Copy Settings menu (M577 only) (continued)**

First level	Second level	Third level	Values	Description
Content Orientation (continued)	2-Sided Format		Book-style	If you are making two-sided copies, select a 2-sided format option.
			Flip-style	
			Book-style original; Flip-style copy	<p><b>Book-style:</b> The back side of the original is printed right-side-up, and the back side of the copy is printed the same way. Use this option for originals and copies that are bound along the left edge.</p>
			Flip-style original; Book-style copy	<p><b>Flip-style:</b> The back side of the original is printed upside-down, and the back side of the copy is printed the same way. Use this option for originals and copies that are to be bound along the top edge.</p>
				<p><b>Book-style original; Flip-style copy:</b> The back side of the original is printed right-side-up, but the back side of the copy is printed upside-down. Use this option when the original is bound along the left edge, but you want the copies to be bound along the top edge.</p>
				<p><b>Flip-style original; Book-style copy:</b> The back side of the original is printed upside-down, but the back side of the copy is printed right-side-up. Use this option when the original is bound along the top edge, but you want the copies to be bound along the left edge.</p>
Optimize Text/Picture	Manually adjust*		Optimize For slider	Use this setting to optimize the output for a particular type of content.

**Table 2-34 Copy Settings menu (M577 only) (continued)**

First level	Second level	Third level	Values	Description	
Optimize Text/Picture (continued)			Text	<b>Manually adjust:</b> Use to manually optimize the setting for each document.  <b>Printed picture:</b> Use for line drawings and preprinted images, such as magazine clippings or pages from books. If you see bands of irregular color or intensity on copies, try selecting the <b>Printed picture</b> setting to improve the quality.  <b>Photograph:</b> Use for photographic prints.	
			Printed picture		
			Photograph		
Pages per Sheet			One (1)	Copies multiple pages onto one sheet of paper.  <b>NOTE:</b> Before using this screen, use the <b>Content Orientation</b> screen to describe the original document orientation.	
			Two (2)		
			Four (4)		
		Page Order		Right, then down	If you are printing four pages per sheet, select the page order. To print the pages in rows, select the <b>Right, then down</b> option. To print the pages in columns, select the <b>Down, then right</b> option.
				Down, then right	
				Add Page Borders	If you are printing two or more pages per sheet and you want to print a border around each page, select the <b>Add Page Borders</b> option.
Original Size			Select from a list of sizes that the product supports.	Describes the page size of the original document.	
Booklet	Booklet Format		Booklet off	Use to copy two or more pages onto one sheet of paper so you can fold the sheets in the center to form a booklet. The product arranges the pages in the correct order. For example, if the original document has eight pages, the product prints pages 1 and 8 on the same sheet.	
			Booklet on		
		Original Size	Select from a list of sizes that the product supports.	Describes the page size of the original document.	

**Table 2-34 Copy Settings menu (M577 only) (continued)**

First level	Second level	Third level	Values	Description
Booklet  (continued)	Sides		1-sided original, 1-sided output*	Use to indicate whether the original document is printed on one or both sides, and whether the copies should be printed on one or both sides. For example, select 1-sided original, 2-sided output when the original is printed on one side, but you want to make two-sided copies.
			2-sided original, 2-sided output	
			1-sided original, 2-sided output	
			2-sided original, 1-sided output	
	Borders on Each Page			To print a border around each page, select the <a href="#">Borders on Each Page</a> option.
	Paper Selection		Manually feed Automatic Tray 1: [Type], [Size] Tray <X>: [Type], [Size]	For the best color and image quality, select the appropriate paper type from the control panel menu or from the print driver.
Edge-to-Edge			Normal (recommended)* Edge-to-Edge output	Use to avoid shadows that can appear along the edges of copies when the original document is printed close to the edges. Combine with the <a href="#">Reduce/Enlarge</a> feature to ensure that the entire page is printed on the copies. When the <a href="#">Edge-to-Edge</a> feature is turned on, the product minimizes margins and prints as close to the edge of the paper as possible.
Job Build			Job Build off* Job Build on	Use to combine several original documents into one job. Also use this feature to scan an original document that has more pages than the document feeder can accommodate at one time. The product temporarily saves all the scanned images. After you have scanned all the pages for the job, touch the <a href="#">Finish</a> option to finish the job.

**Table 2-34 Copy Settings menu (M577 only) (continued)**

First level	Second level	Third level	Values	Description
Multi-feed Detection			Disabled	When enabled, scanning will stop if HP EveryPage technology detects multiple pages being fed at one time.  When disabled, this feature will not stop scanning when multi-feeds are detected.
			Enabled*	
2-sided ID Scan			ID Scan off*	Allows scanning both sides of an ID card and place both images on one page.
			ID Scan on	
Book Mode			Book Mode off*	Captures pages from a book. You can choose to scan the left page, the right page, or both pages together.
			Book Mode on	



## Scan/Digital Send Settings menu (M577 only)

**To display:** At the product control panel, select the [Administration](#) menu, and then select the [Scan/Digital Send Settings](#) menu.

In the following table, asterisks (\*) indicate the factory default setting.

**Table 2-35 Scan/Digital Send Settings menu (M577 only)**

First level	Second level	Third level	Fourth level	Values	Description
E-mail Settings	E-mail Setup Wizard				Use to configure settings that apply to sending documents through email or saving documents to a folder on the network or on a USB multi-drive.
Save to Network Folder Options	<b>NOTE:</b> Email Settings only				
Save to USB Options					
<b>NOTE:</b> The same options are available for each of these features, except where noted.					The <a href="#">E-mail Setup Wizard</a> feature configures the product to send scanned images as email attachments. To open the product HP Embedded Web Server and set up the email notification server, enter the product IP address into a Web browser.

**Table 2-35 Scan/Digital Send Settings menu (M577 only) (continued)**

First level	Second level	Third level	Fourth level	Values	Description
	Default Job Options	Image Preview		<a href="#">Make optional*</a> <a href="#">Require preview</a> <a href="#">Disable preview</a>	<p>Defines the default job options for each function. If you do not specify the job options when creating the job, the default options are used. For complete setup, go to the HP Embedded Web Server by typing the IP address of the product into a Web browser.</p> <p>Use the <a href="#">Image Preview</a> feature to scan a document and display a preview before completing the job. Select whether this feature is available on the product.</p> <p><b>Make optional:</b> The feature is optional, depending on the user who is signed in.</p> <p><b>Require preview:</b> Previews are required for all users.</p> <p><b>Disable preview:</b> Previews are disabled for all users.</p>
		Default File Name			<p>The product is shipped with a factory default file name of [Untitled] for any scanned files that are sent or saved. Use this feature to specify a different default file name. If you are saving a file to a network folder or USB storage product and a file with the default file name already exists, a number is appended to the file name, for example, [Untitled]001.</p>

**Table 2-35 Scan/Digital Send Settings menu (M577 only) (continued)**

First level	Second level	Third level	Fourth level	Values	Description
	Default Job Options (continued)	Document File Type		Select from a list of file types.	<p><b>PDF</b> provides the best overall image and text quality.</p> <p><b>JPEG</b> is a good choice for most graphics. Most computers have a browser that can view .JPEG files. This file type produces one file per page.</p> <p><b>TIFF</b> is a standard file format that many graphics programs support. This file type produces one file per page.</p> <p><b>MTIFF</b>: stands for multi-page TIFF. This file type saves multiple scanned pages in a single file.</p> <p><b>XPS</b> (XML Paper Specification) creates an XAML file that preserves the original formatting of the document and supports color graphics and embedded fonts.</p> <p><b>PDF/A</b></p> <p><b>Text (OCR)</b></p> <p><b>Unicode Text (OCR)</b></p> <p><b>RTF (OCR)</b></p> <p><b>Searchable PDF (OCR)</b></p> <p><b>Searchable PDF/A (OCR)</b></p> <p><b>HTML (OCR)</b></p> <p><b>CSV (OCR)</b></p>

**Table 2-35 Scan/Digital Send Settings menu (M577 only) (continued)**

First level	Second level	Third level	Fourth level	Values	Description
	Default Job Options (continued)	Optimize Text/Picture		Manually adjust* Text Printed picture Photograph	<p>Use to optimize the output for a particular type of content. You can optimize the output for text, printed pictures, or a mixture.</p> <p><b>Manually adjust:</b> Use the slider to manually optimize the setting for text or for pictures.</p> <p><b>Text:</b> Use to optimize the text portion of the copy when text and/or pictures are on the original.</p> <p><b>Printed picture:</b> Use for line drawings and preprinted images, such as magazine clippings or pages from books.</p> <p><b>Photograph:</b> Best suited for making copies of printed pictures.</p>
		Output Quality		High (large file) Medium* Low (small file)	<p>Use to select the quality for the output. Higher-quality images require a larger file size than lower-quality images. Larger files take more time to send, and some recipients might have trouble receiving larger files.</p>
		Original Sides		1-sided 2-sided	<p>Use to describe the layout for each side of the original document. First select whether the original document is printed on one side or both sides. Then touch the <b>Orientation</b> setting to indicate whether the original has portrait or landscape orientation. If it is printed on both sides, also select the 2-sided format that matches the original document.</p>

**Table 2-35 Scan/Digital Send Settings menu (M577 only) (continued)**

First level	Second level	Third level	Fourth level	Values	Description
	Default Job Options (continued)	Original Sides (continued)	Orientation	Automatically detect Portrait* Landscape	For some features to work correctly, you must specify the way the content of the original document is placed on the page. Portrait orientation means the short edge of the page is along the top. Landscape orientation means the long edge of the page is along the top. In the <a href="#">Orientation</a> area, select whether the original document has a portrait or landscape orientation.
			2-Sided Format	Book-style Flip-style	<p><b>Book-style:</b> The back side of the original is printed right-side-up, and the back side of the copy is printed the same way. Use this option for originals and copies that are bound along the left edge.</p> <p><b>Flip-style:</b> The back side of the original is printed upside-down, and the back side of the copy is printed the same way. Use this option for originals and copies that are to be bound along the top edge.</p>

**Table 2-35 Scan/Digital Send Settings menu (M577 only) (continued)**

First level	Second level	Third level	Fourth level	Values	Description
	Default Job Options (continued)	Resolution		600 dpi 400 dpi 300 dpi 200 dpi 150 dpi* 75 dpi	Sets the resolution for sent documents. Higher resolution images have more dots per inch (dpi), so they show more detail. Lower resolution images have fewer dots per inch and show less detail, but the file size is smaller. Some file types, for example a file that will be processed with OCR, require a specific resolution. When these file types are selected, the Resolution setting might automatically change to a valid value.
		Content Orientation	Orientation	Auto Detect Portrait* Landscape	For some features to work correctly, you must specify the way the content of the original document is placed on the page. Portrait orientation means the short edge of the page is along the top. Landscape orientation means the long edge of the page is along the top. In the Orientation area, select whether the original document has a portrait or landscape orientation.
			2-Sided Format	Book-style* Flip-style	Use to configure the default style for 2-sided print jobs. If the Book-style option is selected, the back side of the page is printed the right way up. This option is for print jobs that are bound along the left edge. If the Flip-style option is selected, the back side of the page is printed upside-down. This option is for print jobs that are bound along the top edge.

**Table 2-35 Scan/Digital Send Settings menu (M577 only) (continued)**

First level	Second level	Third level	Fourth level	Values	Description
	Default Job Options (continued)	Color/Black		Automatically detect* Color Black/Gray Black	Use to enable or disable color scanning.  <b>Automatically detect:</b> Automatically scans documents in color if at least one page has color.  <b>Color:</b> Scans documents in color.  <b>Black/Gray:</b> Scans documents in grayscale.  <b>Black:</b> Scans documents in black and white with a compressed file size.
		Original Size		Select from a list of supported sizes.	Use to describe the page size of the original document.
		Notification		Do not notify* Notify when job completes Notify only if job fails  Print E-mail	Configure to receive notification about the status of a sent document.  <b>Do not notify:</b> Turns off this feature.  <b>Notify when job completes:</b> Select to receive notification for this job only.  <b>Notify only if job fails:</b> Select to receive notification only if the job is not sent successfully.  <b>Print:</b> Select to print the notification at this product.
			Include Thumbnail		<b>NOTE:</b> When sending an analog fax, select <b>Include Thumbnail</b> to receive a thumbnail image of the first page of the fax in your notification.

**Table 2-35 Scan/Digital Send Settings menu (M577 only) (continued)**

First level	Second level	Third level	Fourth level	Values	Description
	Default Job Options (continued)	Notification (continued)	Notification E-mail address		E-mail: Select to receive the notification in an email. Touch the text box following <a href="#">Email Address</a> , and then type the email address for the notification.
		Image Adjustment	Darkness		Use to improve the overall quality of the copy.  Adjust the <a href="#">Darkness</a> setting to increase or decrease the amount of white and black in the colors.
			Contrast		Adjust the <a href="#">Contrast</a> setting to increase or decrease the difference between the lightest and darkest color on the page.
			Background Cleanup		Adjust the <a href="#">Background Cleanup</a> setting if you are having trouble copying a faint image.
			Sharpness		Adjust the <a href="#">Sharpness</a> setting to clarify or soften the image. For example, increasing the sharpness could make text appear crisper, but decreasing it could make photographs appear smoother.
			Automatic Tone		
			Default		Select this to make the selected <a href="#">Image Adjustment</a> setting the default value.



**Table 2-35 Scan/Digital Send Settings menu (M577 only) (continued)**

First level	Second level	Third level	Fourth level	Values	Description
	Default Job Options (continued)	Job Build		Job Build off* Job Build on	Use to combine several original documents into one job. Also use to scan an original document that has more pages than the document feeder can accommodate at one time. The product temporarily saves all the scanned images. After you have scanned all the pages for the job, touch <a href="#">Finish</a> to finish the job.
		Cropping Options		Do not crop* Crop to paper Crop to content	Use this menu item to automatically crop the scan for digital sending. Use the <a href="#">Crop to content</a> option to scan the smallest possible area that has detectable content.
		Erase Edges		Use Inches Back side erase Front side erase	Use this menu item to remove blemishes, such as dark borders or staple marks, by cleaning the specified edges of the scanned image. In each of the text boxes enter the measurements, in millimeters or inches, for how much of the top edge, bottom edge, left edge, and right edge to clean.
		Multi-feed Detection		Disabled Enabled*	When enabled, scanning will stop if HP EveryPage technology detects multiple pages being fed at one time.  When disabled, this feature will not stop scanning when multi-feeds are detected.
		Blank Page Suppression		Disabled* Enabled	Use to prevent blank pages in the original document from being included in the output document.

**Table 2-35 Scan/Digital Send Settings menu (M577 only) (continued)**

First level	Second level	Third level	Fourth level	Values	Description
	Default Job Options (continued)	Create Multiple Files		Disabled* Enabled	Enable this feature to scan pages into separate files based on a specified page limit set in <a href="#">Maximum pages per file</a> .
Digital Send Service Setup	Allow Usage of Digital Sending Software (DSS) Server			Enabled* Disabled	Configure how the product interacts with the HP Digital Sending Software (DSS) server. HP DSS handles digital sending tasks, such as faxing, emailing, and sending scanned documents to a network folder or USB storage device.  Use the <a href="#">Allow Usage of Digital Sending Software (DSS) Server</a> option to configure the product to use HP DSS.
	Allow Transfer to New Digital Sending Software (DSS) Server			Enabled* Disabled	Use the <a href="#">Allow Transfer to New Digital Sending Software (DSS) Server</a> option to specify whether DSS management of a product is transferable to a different DSS.

## Fax Settings menu (M577 only)

**To display:** At the product control panel, select the [Administration](#) menu, and then select the [Fax Settings](#) menu.

In the following table, asterisks (\*) indicate the factory default setting.

**Table 2-36 Fax Settings menu (M577 only)**

First level	Second level	Third level	Fourth level	Values	Description
Fax Send Settings	Fax Send Setup	Fax Setup Wizard			<p>Configure settings for sending faxes from the product.</p> <p>Use the <a href="#">Fax Setup Wizard</a> feature to set up options for faxing.</p> <p><b>NOTE:</b> To set up LAN fax or Internet fax, use the HP Embedded Web Server. To open the HP Embedded Web Server, type the product network address into a Web browser. To configure the fax features, select the <b>Fax</b> tab.</p>
		Fax Dialing Settings	Fax Dial Volume	Off Low* High	These settings control how the fax modem dials the outgoing fax number when faxes are sent.
			Dialing Mode	Tone* Pulse	
			Redial Interval	1 – 5 Minutes Default = 5 minutes	
			Fax Send Speed	Fast* Medium Slow	
			Dialing Prefix		
			Detect Dial Tone		
			Redial on Error	Range: 0 – 9 Default = 2	
			Redial on No Answer	Range: 0 – 2 Default = 0	
			Redial on Busy	Range: 0 – 9 Default = 3	

**Table 2-36 Fax Settings menu (M577 only) (continued)**

First level	Second level	Third level	Fourth level	Values	Description
Fax Send Settings (continued)	Fax Send Setup (continued)	General Fax Send Settings	Fax Number Confirmation	Enabled Disabled*	If this feature is enabled, you must enter the fax number twice.
			PC Fax Send	Enabled* Disabled	Enables users who have the correct driver installed to send faxes through the product from their computers.
			JBIG Compression	Enabled* Disabled	The JBIG compression reduces fax-transmission time, which can result in lower phone charges. However, using JBIG compression sometimes causes compatibility problems with older fax machines. If this occurs, turn off the JBIG compression.
			Error Correction Mode	Enabled* Disabled	When error-correction mode is enabled and an error occurs during fax transmission, the product sends or receives the error portion again.
			Fax Header	Prepend* Overlay	Use to prepend or overlay the fax header page.
			Fax Number Speed Dial Matching	Enabled Disabled*	Use this item to match the fax number that you type to numbers that are saved as a speed dial.

**Table 2-36 Fax Settings menu (M577 only) (continued)**

First level	Second level	Third level	Fourth level	Values	Description
Fax Send Settings (continued)	Fax Send Setup (continued)	Billing Codes	Enable Billing Codes	Off  On*	<p>When billing codes are enabled, a prompt displays that asks the user to enter the billing code for an outgoing fax. This prompt does not appear if the <a href="#">Allow users to edit billing codes</a> check box is not checked.</p> <p>You can also use the billing codes report in the <a href="#">Reports</a> menu to view the list of the billing codes that have been used for faxes that have been sent from the product. The list is grouped by billing code and also shows fax details. This feature can be used for billing or usage tracking.</p>
			Default Billing Code		Specify a default billing code for faxing. If you specify a default billing code, this code displays in the <a href="#">Billing Code</a> field when the user sends an outgoing fax. If this field is blank, no default billing code is provided for the user.
			Minimum Length	Range: 1 – 16  Default = 1	Specify the required length of the billing code. Billing codes can be between 1 and 16 characters long.
			Allow users to edit billing codes	Off  On*	

**Table 2-36 Fax Settings menu (M577 only) (continued)**

First level	Second level	Third level	Fourth level	Values	Description
Fax Send Settings  (continued)	Default Job Options	Image Preview		Make optional*	Use the <a href="#">Image Preview</a> feature to scan a document and display a preview before completing the job. Select whether this feature is available on the product.  <a href="#">Make optional</a> : The feature is optional, depending on the user who is signed in.  <a href="#">Require preview</a> : Previews are required for all users.  <a href="#">Disable preview</a> : Previews are disabled for all users.
				Require preview	
				Disable preview	
		Resolution		Standard (100 x 200dpi)*  Fine (200 x 200dpi)  Superfine (300 x 300dpi)	Select the resolution for outgoing faxes. If you increase the resolution, faxes might be clearer but they could transmit more slowly. Some file types, for example a file that will be processed with OCR, require a specific resolution. When these file types are selected, the <a href="#">Resolution</a> setting might be automatically changed to a valid value.
		Original Sides		1-sided*  2-sided	Use to describe the layout for each side of the original document. First select whether the original document is printed on one side or both sides. Then touch the <a href="#">Orientation</a> setting to indicate whether the original has portrait or landscape orientation. If it is printed on both sides, also select the 2-sided format that matches the original document.

**Table 2-36 Fax Settings menu (M577 only) (continued)**

First level	Second level	Third level	Fourth level	Values	Description
Fax Send Settings (continued)	Default Job Options (continued)	Original Sides (continued)	Orientation	Portrait* Landscape	<p>For some features to work correctly, you must specify the way the content of the original document is placed on the page.</p> <p><b>Portrait:</b> This setting means the short edge of the page is along the top.</p> <p><b>Landscape:</b> This setting means the long edge of the page is along the top.</p>
			2-Sided Format	Book-style* Flip-style	<p><b>Book-style:</b> The back side of the original is printed right-side-up, and the back side of the copy is printed the same way. Use this option for originals and copies that are bound along the left edge.</p> <p><b>Flip-style:</b> The back side of the original is printed upside-down, and the back side of the copy is printed the same way. Use this option for originals and copies that are to be bound along the top edge.</p>
		Notification		Do not notify* Notify when job completes Notify only if job fails	<p>Use to receive notification about the status of a sent document.</p> <p><b>Do not notify:</b> Turns off this feature.</p> <p><b>Notify when job completes:</b> Select to receive notification for this job only.</p> <p><b>Notify only if job fails:</b> Select to receive notification only if the job is not sent successfully.</p>

**Table 2-36 Fax Settings menu (M577 only) (continued)**

First level	Second level	Third level	Fourth level	Values	Description
Fax Send Settings (continued)	Default Job Options (continued)	Notification (continued)		Print E-mail	<p><b>Print:</b> Select to print the notification at this product.</p> <p><b>E-mail:</b> Select to receive the notification in an email. Touch the text box following <b>Email Address</b>, and then enter the email address for the notification.</p>
			Include Thumbnail		When sending an analog fax, select <b>Include Thumbnail</b> to receive a thumbnail image of the first page of the fax in your notification.
			Notification E-mail address		Provide the email address that will receive notifications.
			Prompt user prior to job start	On Off*	
		Content Orientation	Orientation	Portrait* Landscape	<p>For some features to work correctly, you must specify the way the content of the original document is placed on the page.</p> <p><b>Portrait:</b> This setting means the short edge of the page is along the top.</p> <p><b>Landscape:</b> This setting means the long edge of the page is along the top.</p>



**Table 2-36 Fax Settings menu (M577 only) (continued)**

First level	Second level	Third level	Fourth level	Values	Description
Fax Send Settings (continued)	Default Job Options (continued)	Content Orientation (continued)	2-Sided Format	Book-style* Flip-style	Use to configure the default style for 2-sided print jobs. If the <a href="#">Book-style</a> option is selected, the back side of the page is printed the right way up. This option is for print jobs that are bound along the left edge. If the <a href="#">Flip-style</a> option is selected, the back side of the page is printed upside-down. This option is for print jobs that are bound along the top edge.
				Original Size	Select from a list of sizes that the product supports. Use to describe the page size of the original document.
			Image Adjustment	Darkness	Use to improve the overall quality of the copy.  Adjust the <a href="#">Darkness</a> setting to increase or decrease the amount of white and black in the colors.
				Contrast	Adjust the <a href="#">Contrast</a> setting to increase or decrease the difference between the lightest and darkest color on the page.
				Background Cleanup	Adjust the <a href="#">Background Cleanup</a> setting if you are having trouble copying a faint image.
				Sharpness	Adjust the <a href="#">Sharpness</a> setting to clarify or soften the image. For example, increasing the sharpness could make text appear crisper, but decreasing it could make photographs appear smoother.

**Table 2-36 Fax Settings menu (M577 only) (continued)**

First level	Second level	Third level	Fourth level	Values	Description
Fax Send Settings (continued)	Default Job Options (continued)	Image Adjustment (continued)	Automatic Tone		The product automatically adjusts the <b>Darkness</b> , <b>Contrast</b> , and <b>Background Cleanup</b> settings to the most appropriate for the scanned document.
			Default		Select this to make the selected <b>Image Adjustment</b> setting the default value.
		Optimize Text/Picture	Manually adjust*	Optimize For Text Printed picture Photograph	Optimizes the output for a particular type of content. You can optimize the output for text, printed pictures, or a mixture.  <b>Manually adjust:</b> Use to manually optimize the setting for text or for pictures.  <b>Text:</b> Use to optimize the text portion of the copy where text and/or pictures are on the original.  <b>Printed picture:</b> Use for line drawings and preprinted images, such as magazine clippings or pages from books.  <b>Photograph:</b> Best suited for making copies of printed pictures.
		Job Build		Job Build off* Job Build on	Use to divide a complex job into smaller segments. This is useful when you are copying or scanning an original document that has more pages than the document feeder can hold, or when you want to combine pages that have different sizes into one job. You can use either the glass or the document feeder to scan the original documents.

**Table 2-36 Fax Settings menu (M577 only) (continued)**

First level	Second level	Third level	Fourth level	Values	Description
Fax Send Settings (continued)	Default Job Options (continued)	Multi-feed Detection		Disabled	When enabled, scanning will stop if HP EveryPage technology detects multiple pages being fed at one time.  When disabled, this feature will not stop scanning when multi-feeds are detected.
				Enabled*	
		Blank Page Suppression		Disabled* Enabled	Prevents blank pages in the original document from being included in the output document.
Fax Receive Settings	Fax Receive Setup	Fax Setup Wizard			Configure settings for receiving faxes from the product.  Use the <a href="#">Fax Setup Wizard</a> feature to set up options for faxing.  <b>NOTE:</b> To set up LAN fax or Internet fax, use the HP Embedded Web Server. To open the HP Embedded Web Server, type the product network address into a Web browser. To configure the fax features, select the <b>Fax</b> tab.
		Ringer Volume		Off Low* High	Use to configure settings for receiving faxes.
		Rings To Answer		Range: 1–6 Default = 1	
		Fax Receive Speed		Fast* Medium Slow	
		Ring Interval		Range: 220–600 ms Default = 600 ms	
		Ring Frequency		Range: 1–200 Default = 68hz	

**Table 2-36 Fax Settings menu (M577 only) (continued)**

First level	Second level	Third level	Fourth level	Values	Description
Fax Receive Settings  (continued)	Fax Printing Schedule			Always store faxes	If you have concerns about the security of private faxes, use this feature to store faxes rather than having them automatically print. Select Incoming Fax Options, and then you can choose to always store faxes, always print them, or you can set up a schedule for each day of the week.
				Always print faxes*	
				Use Fax Printing Schedule	
		Schedule	Add (plus sign)	Print incoming faxes	If you are using a fax printing schedule, use this menu to configure when to print faxes.
		Touch this to set up a fax printing schedule if you selected the Use Fax Printing Schedule option.	Edit	Store incoming faxes	
			Delete	Time	
				Event Days	

**Table 2-36 Fax Settings menu (M577 only) (continued)**

First level	Second level	Third level	Fourth level	Values	Description
Fax Receive Settings (continued)	Blocked Fax Numbers	Fax Number to Block			<p>The blocked fax list can contain up to 30 numbers. When the product receives a call from one of the blocked fax numbers, it deletes the incoming fax. It also logs the blocked fax in the activity log along with job-accounting information.</p> <p>Add blocked numbers: Enter a fax number into the <a href="#">Fax Number to Block</a> field, and then touch the arrow button to add a new number to the blocked fax list.</p> <p>To remove blocked numbers: Select a number and touch the <a href="#">Delete</a> button to delete it from the blocked fax list.</p> <p>To clear all blocked numbers: Touch the <a href="#">Delete All</a> button to clear all of the numbers from the blocked fax list.</p> <p>You can also use the <a href="#">Blocked Fax List</a> report in the <a href="#">Information</a> menu to view the list of the fax numbers that have been blocked on this product.</p>

**Table 2-36 Fax Settings menu (M577 only) (continued)**

First level	Second level	Third level	Fourth level	Values	Description	
Fax Receive Settings  (continued)	Default Job Options	Notification		Do not notify*	Configure to receive notification about the status of a sent document.	
				Notify when job completes		
				Notify only if job fails		Do not notify: Turns off this feature.  Notify when job completes: Select to receive notification for this job only.  Notify only if job fails: Select to receive notification only if the job is not sent successfully.
				Print	E-mail: Select to receive the notification in an email. Touch the text box following Email Address, and then enter the email address for the notification.	
				E-mail*		
				Include Thumbnail	<b>NOTE:</b> When sending an analog fax, select Include Thumbnail to receive a thumbnail image of the first page of the fax in your notification.	
				Notification E-mail address		
				Stamp Received Faxes	Enabled	Use this option to add the date, time, sender's phone number, and page number to each page of the faxes that this product receives.
					Disabled*	
				Fit to Page	Enabled*	Use to shrink faxes that are larger than Letter-size or A4-size so that they can fit onto a Letter-size or A4-size page. If this feature set to Disabled, faxes larger than Letter or A4 will flow across multiple pages.
		Disabled				


**Table 2-36 Fax Settings menu (M577 only) (continued)**

First level	Second level	Third level	Fourth level	Values	Description
Fax Receive Settings (continued)	Default Job Options (continued)	Paper Selection		Automatic*	Select from a list of the trays.
		Sides		1-sided* 2-sided	
Fax Forwarding	Enable Fax Forwarding			Disabled* Enabled	Use to forward received faxes to another fax machine.
		Type of Fax Job to Forward		All faxes Sent faxes Received faxes	
		Fax Forwarding Number			
Clear Fax Activity Log					Clears all events from the Fax Activity Log list.

## General Print Settings menu

**To display:** At the printer control panel, select the [Administration](#) menu, and then select the [General Print Settings](#) menu.

In the following table, asterisks (\*) indicate the factory default setting.

 **NOTE:** For the M553x model, use the [Save](#) button to save a selected option.

For all other models, use the up arrow ▲ button or down arrow ▼ button to highlight an option, and then press the [OK](#) button to save the selected option.

**Table 2-37 General Print Settings menu**

First level	Second level	Values	Description
Manual Feed		Enabled	Use to enable or disable the manual-feed feature, which allows the user to feed paper into the printer by hand. When this feature is enabled, the user can select manual feed from the control panel as the paper source for a job. If a tray is not specified as part of a job, manual feed is selected.
		Disabled*	
Courier Font		Regular*	Select which version of the Courier font to use. The factory default setting is <a href="#">Regular</a> , which uses an average stroke width. The <a href="#">Dark</a> setting can be used if a heavier Courier font is needed.
		Dark	
Wide A4		Enabled	Changes the printable area of A4-size paper. When enabled, eighty 10-pitch characters can be printed on a single line of A4 paper.
		Disabled*	
Print PS Errors		Enabled	Use this feature to select whether a PostScript (PS) error page is printed when the printer encounters a PS error.
		Disabled*	
Print PDF Errors		Enabled	Selects whether a PDF error page is printed when the printer encounters a PDF error.
		Disabled*	
Personality		Auto*	Configures the default print language or personality for the printer. Normally the printer language should not be changed. If this item is changed to a specific printer language, the printer does not automatically switch from one language to another unless specific software commands are sent to it.
		PCL	
		POSTSCRIPT	
		PDF	



**Table 2-37 General Print Settings menu (continued)**

First level	Second level	Values	Description
PCL	Form Length	Range: 5 – 128 Default = 60	Controls the PCL print-command options. PCL is a set of printer commands that Hewlett-Packard developed to provide access to printer features.  Use the <a href="#">Form Length</a> feature to select the user-soft default vertical form length.
	Orientation	<a href="#">Portrait</a> * <a href="#">Landscape</a>	Select the orientation that is most often used for copy or scan originals. Select the <a href="#">Portrait</a> option if the short edge is at the top or select the <a href="#">Landscape</a> option if the long edge is at the top.
	Font Source	<a href="#">Internal</a> *	Selects the font source for the user-soft default font. The list of available options varies depending on the installed printer options.
	Font Number	Range: 0 – 110 Default = 0	Specifies the font number for the user-soft default font using the source that is specified in the <a href="#">Font Source</a> menu. The printer assigns a number to each font and lists it on the PCL font list. The font number displays in the Font # column of the printout.
	Font Pitch	Range: 0.44 – 99.99 Default = 10	If the <a href="#">Font Source</a> option and the <a href="#">Font Number</a> setting indicate a contour font, then use this feature to select a default pitch (for a fixed-spaced font).
	Font Point Size	Range: 4.00 – 999.75 Default = 12.00	If the <a href="#">Font Source</a> option and the <a href="#">Font Number</a> setting indicate a contour font, then use this feature to select a default point size (for a proportional-spaced font).
	Symbol Set	Select from a list of symbol sets.	Select any one of several available symbol sets from the control panel. A symbol set is a unique grouping of all the characters in a font. The factory default value for this option is PC-8. Either PC-8 or PC-850 are recommended for line-draw characters.

**Table 2-37 General Print Settings menu (continued)**

First level	Second level	Values	Description
PCL (continued)	Append CR to LF	No* Yes	Configure whether a carriage return (CR) is appended to each line feed (LF) encountered in backwards-compatible PCL jobs (pure text, no job control). Select <b>Yes</b> to append the carriage return. The default setting is <b>No</b> . Some environments, such as UNIX, indicate a new line by using only the line-feed control code. This option allows the user to append the required carriage return to each line feed.
	Suppress Blank Pages	No* Yes	This option is for users who are generating their own PCL, which could include extra form feeds that would cause blank pages to be printed. When the <b>Yes</b> option is selected, form feeds are ignored if the page is blank.
	Media Source Mapping	Standard* Classic	Use this item to select and maintain input trays by number when the printer driver is not used, or when the software program has no option for tray selection. The following options are available:  <b>Standard:</b> Tray numbering is based on newer HP LaserJet models.  <b>Classic:</b> Tray numbering is based on HP LaserJet 4 and older models.

## Default Print Options menu

**To display:** At the printer control panel, select the [Administration](#) menu, and then select the [Default Print Options](#) menu.

In the following table, asterisks (\*) indicate the factory default setting.



**NOTE:** For the M553x model, use the [Save](#) button to save a selected option.

For all other models, use the up arrow ▲ button or down arrow ▼ button to highlight an option, and then press the [OK](#) button to save the selected option.

**Table 2-38 Default Print Options menu**

First level	Second level	Values	Description
Number of Copies		Range: 1–32000 Default = 1	Sets the default number of copies for a copy job. This default applies when the <a href="#">Copy</a> function or the <a href="#">Quick Copy</a> function is initiated from the printer Home screen.
Default Paper Size		Select from a list of sizes that the printer supports.	Configures the default paper size used for print jobs.
Default Custom Paper Size	X Dimension	Range: 3–8.5 inches Default = 8.5 inches	Configures the default paper size that is used when the user selects <b>Custom</b> as the paper size for a print job.
	Y Dimension	Range: 5–14 inches Default = 14 inches	
	Use Inches	<a href="#">Enabled</a> * <a href="#">Disabled</a>	
Sides		<a href="#">1-sided</a> * <a href="#">2-sided</a>	Use this item to indicate whether the original document is printed on one or both sides, and whether the copies should be printed on one or both sides. For example, select the <a href="#">1-sided original, 2-sided output</a> option when the original is printed on one side, but the print job requires two-sided copies.  Select the <a href="#">Orientation</a> setting to specify portrait or landscape orientation and to select the way the second sides are printed.


**Table 2-38 Default Print Options menu (continued)**

First level	Second level	Values	Description
2-Sided Format		Book-style* Flip-style	Configures the default style for 2-sided print jobs. If the <b>Book-style</b> option is selected, the back side of the page is printed the right way up. This option is for print jobs that are bound along the left edge. If the <b>Flip-style</b> option is selected, the back side of the page is printed upside-down. This option is for print jobs that are bound along the top edge.
Edge-to-Edge		Normal (recommended)* Edge-to-Edge output	Use to avoid shadows that can appear along the edges of copies when the original document is printed close to the edges.

## Display Settings menu

**To display:** At the printer control panel, select the [Administration](#) menu, and then select the [Display Settings](#) menu.

In the following table, asterisks (\*) indicate the factory default setting.

 **NOTE:** For the M553x model, use the [Save](#) button to save a selected option.

For all other models, use the up arrow ▲ button or down arrow ▼ button to highlight an option, and then press the [OK](#) button to save the selected option.

**Table 2-39 Display Settings menu**

First level	Second level	Values	Description
<a href="#">Display Brightness</a>		Range: -10 to 10 The default value is 0.	Use to specify the intensity of the LCD control-panel display.
<a href="#">Key Press Sound</a>		<a href="#">On</a> * <a href="#">Off</a>	Use to specify whether sounds are heard when touching the screen or pressing buttons on the control panel.
<a href="#">Language Settings</a>	<a href="#">Language</a>	Select from a list of languages that the printer supports.	Use this item to select a different language for control-panel messages.
<a href="#">How to Connect Button</a> (M552dn, M553dn, M553x, M577)		<a href="#">Display</a> * <a href="#">Hide</a>	Use this menu item to display or hide the <a href="#">How to Connect Button</a> on the Home screen.
<a href="#">Network Address Button</a> (M552dn, M553dn, M553x)		<a href="#">Display</a> * <a href="#">Hide</a>	Use this menu item to display or hide the IP address on the Home screen.
<a href="#">Date and Time</a> (M552dn, M553dn, M553x, M577)		<a href="#">Show Date and Time</a> * <a href="#">Hide Date and Time</a>	Select whether to display or hide the date and time on the control panel Home screen.
<a href="#">Inactivity Timeout</a>		Range: 10 – 300 seconds Default = 60 seconds	Specifies the amount of time that elapses between any activity on the control panel and when the printer resets to the default settings. When the timeout expires, the control-panel display returns to the Home menu, and any user signed in to the printer is signed out.


**Table 2-39 Display Settings menu (continued)**

First level	Second level	Values	Description
Clearable Warnings		On Job*	Use this feature to set the period that a clearable warning displays on the control panel. If the <b>On</b> setting is selected, clearable warnings appear until the <b>Clearable Warnings</b> button is pressed. If the <b>Job</b> setting is selected, clearable warnings stay on the display during the job that generated the warning and disappear from the display when the next job starts.
Continuable Events		Auto-continue (10 seconds)* Touch OK to continue	Use this option to configure the printer behavior when the printer encounters certain errors. If the <b>Auto-continue (10 seconds)</b> option is selected, the job will continue after 10 seconds. If the <b>Touch OK to continue</b> option is selected, the job will stop and require the user to press the <b>OK</b> button before continuing.

## Manage Supplies menu

**To display:** At the printer control panel, select the [Administration](#) menu, and then select the [Manage Supplies](#) menu.

In the following table, asterisks (\*) indicate the factory default setting.

 **NOTE:** For the M553x and M577 models, use the [Save](#) button to save a selected option.

For all other models, use the up arrow ▲ button or down arrow ▼ button to highlight an option, and then press the [OK](#) button to save the selected option.

**Table 2-40 Manage Supplies menu**

First level	Second level	Third level	Fourth level	Values	Description
Supplies Status				Print	
				View (M577 only)	
Supply Settings	Black Cartridge	Low Threshold Settings		1 - 100%	Set the estimated percentage at which the printer notifications appear when the toner cartridge is very low.
				Default = 10%	
		Very Low Settings		Stop	Specifies how the printer notifications appear when the toner cartridge is very low.
				Prompt to continue*	<p>Stop: The printer stops until the toner cartridge is replaced.</p> <p>Prompt to continue: The printer stops and a prompt appears to replace the toner cartridge. Acknowledging the prompt to continue printing.</p> <p>Continue: The printer alerts the user that a toner cartridge is very low, but it continues printing.</p>
				Continue	
	Color Cartridges	Low Threshold Settings	Cyan	1 - 100%	Set the estimated percentage at which printer notification appears when the toner cartridge is very low. A different percentage for each color is allowed.
			Magenta	Default = 10%	
			Yellow		

**Table 2-40 Manage Supplies menu (continued)**

First level	Second level	Third level	Fourth level	Values	Description
Supply Settings (continued)	Color Cartridges (continued)	Very Low Settings		Stop Prompt to continue* Continue	<p>Specifies how the printer notifications appear when the toner cartridge is very low.</p> <p><b>Stop:</b> The printer stops until the toner cartridge is replaced.</p> <p><b>Prompt to continue:</b> The printer stops and a prompt appears to replace the toner cartridge. Acknowledging the prompt to continue printing.</p> <p><b>Continue:</b> The printer alerts the user that a toner cartridge is very low, but it continues printing.</p>
	Toner Collection Unit (M552, M553)	Very Low Settings		Stop Prompt to continue* Continue	<p>Configure how the printer responds when the toner collection unit (TCU) is reaching the end of its estimated life.</p> <p><b>Stop:</b> The printer stops until the TCU is replaced.</p> <p><b>Prompt to continue:</b> The printer stops and a prompt appears to replace the TCU. Acknowledge the prompt and continue printing.</p> <p><b>Continue:</b> The printer alerts the user that the TCU is almost full, but it continues printing.</p>
	Fuser Kit	Low Threshold Settings		1-100% Default = 10%	<p>Set the estimated percentage at which the printer notification appears when the fuser is low.</p>



**Table 2-40 Manage Supplies menu (continued)**

First level	Second level	Third level	Fourth level	Values	Description
Supply Settings (continued)	Fuser Kit (continued)	Very Low Settings		Stop Prompt to continue* Continue	Configure how the printer responds when the fuser is reaching the end of its estimated life.  <b>Stop:</b> The printer stops until the fuser is replaced.  <b>Prompt to continue:</b> The printer stops and a prompts appears to replace the fuser. Acknowledge the prompt and continue printing.  <b>Continue:</b> The printer alerts the user that the fuser is very low, but it continues printing.
	Document Feeder Kit	Low Threshold Settings		1-100% Default = 10%	
		Very Low Settings		Stop Prompt to continue* Continue	
	Restrict Color Use			Enable Disable color Color if allowed*	Use this feature to enable, restrict, or disable color printing or copying.

**Table 2-40 Manage Supplies menu (continued)**

First level	Second level	Third level	Fourth level	Values	Description
Supply Settings  (continued)	Color/Black Mix			Auto*	<p>Instructs the printer when to switch between color and monochrome printing modes for the best overall performance.</p> <p><b>Auto:</b> Uses the mode that is appropriate for the first page of the job. If necessary, the printer switches modes during the middle of a job and then stays in that mode until the job is finished.</p> <p><b>Mostly Color Pages:</b> The printer uses color mode for all jobs, even if the job contains no color pages.</p> <p><b>Mostly Black Pages:</b> The printer uses monochrome mode until it detects a color page. The printer switches back to monochrome mode when it detects a sequence of several monochrome pages.</p>
				Mostly Color Pages	
				Mostly Black Pages	
				On supplies	<p>The <b>Store Usage Data</b> menu provides a way to suppress the toner cartridges from storing most of the information gathered exclusively for the purpose of understanding the usage of the printer. Select the <b>On supplies</b> setting to store the data on the toner cartridge memory chip. Select the <b>Not on supplies</b> setting to suppress the information from being stored on the memory chip.</p>
				Not on supplies	
				Off*	<p>Select to permanently protect cartridges so that they can be used only in this product or fleet of products.</p>
				Protect Cartridges	
				Off*	<p>Set to <b>Authorized HP</b> to allow only genuine HP cartridges to be used in this product.</p>
				Authorized HP	

**Table 2-40 Manage Supplies menu (continued)**

First level	Second level	Third level	Fourth level	Values	Description
Supply Messages	Low Message			On* Off	Use to configure whether a message displays on the control panel when supplies are getting low, but have not yet reached the low threshold.
Reset Supplies	New Fuser Kit			No* Yes	Select this option when a new fuser kit is installed.
	New Document Feeder Kit			No* Yes	Select this option when a new document feeder kit is installed.

## Manage Trays menu

**To display:** At the printer control panel, select the [Administration](#) menu, and then select the [Manage Trays](#) menu.

In the following table, asterisks (\*) indicate the factory default setting.



**NOTE:** For the M553x model, use the [Save](#) button to save a selected option.

For all other models, use the up arrow ▲ button or down arrow ▼ button to highlight an option, and then press the [OK](#) button to save the selected option.

**Table 2-41** Manage Trays menu

First level	Values	Description
Use Requested Tray	Exclusively*	Controls how the printer handles jobs that have specified a specific input tray. Two options are available:  <b>Exclusively:</b> The printer never selects a different tray when the user has indicated that a specific tray should be used, even if that tray is empty.  <b>First:</b> The printer pulls from another tray if the specified tray is empty, even though the user specifically indicated a tray for the job.
	First	
Manually Feed Prompt	Always*	Indicate whether a prompt should appear when the type or size for a job does not match the specified tray and the printer pulls from the multipurpose tray instead. Two options are available:  <b>Always:</b> A prompt always displays before using the multipurpose tray.  <b>Unless loaded:</b> A message displays only if the multipurpose tray is empty.
	Unless loaded	
Size/Type Prompt	Display*	Controls whether the tray configuration message displays whenever a tray is closed. Two options are available:  <b>Display:</b> Shows the tray configuration message when a tray is closed. The user is able to configure the tray settings directly from this message.  <b>Do not display:</b> Prevents the tray configuration message from automatically appearing.
	Do not display	
Use Another Tray	Enabled*	Use to turn on or off the control panel prompt to select another tray when the specified tray is empty. Two options are available:  <b>Enabled:</b> When this option is selected, the user is prompted either to add paper to the selected tray or to choose a different tray.  <b>Disabled:</b> When this option is selected, the user is not given the option of selecting a different tray. The printer prompts the user to add paper to the tray that was initially selected.
	Disabled	

**Table 2-41 Manage Trays menu (continued)**

First level	Values	Description
Alternative Letterhead Mode	Disabled* Enabled	Use this item to load letterhead or preprinted paper into the tray the same way for all print jobs (for printing either to one side of the sheet or to both sides of the sheet). When this option is selected, load the paper as if printing on both sides. See the user documentation that came with the printer for instructions about loading letterhead for printing on both sides. When this option is selected, the printer speed slows to the speed required for printing on both sides.
Duplex Blank Pages	Auto* Yes	Controls how the printer handles two-sided jobs (duplexing). Two options are available:  <b>Auto:</b> Enables Smart Duplexing, which instructs the printer not to process blank pages.  <b>Yes:</b> Disables Smart Duplexing and forces the duplexer to flip the sheet of paper even if it is printed on only one side. This might be preferable for certain jobs that use paper types such as letterhead or prepunched paper.
Override A4/Letter	Yes* No	Prints on letter-size paper when an A4 job is sent but no A4-size paper is loaded in the printer (or to print on A4 paper when a letter-size job is sent but no letter-size paper is loaded). This option will also override A3 with ledger-size paper and ledger with A3-size paper.

## Network Settings menu

**To display:** At the printer control panel, select the [Administration](#) menu, and then select the [Network Settings](#) menu.

In the following table, asterisks (\*) indicate the factory default setting.



**NOTE:** For the M553x model, use the [Save](#) button to save a selected option.

For all other models, use the up arrow ▲ button or down arrow ▼ button to highlight an option, and then press the [OK](#) button to save the selected option.

**Table 2-42 Network Settings menu**

First level	Values	Description
I/O Timeout	Range: 5 – 300 sec Default = 15	Use to set the I/O timeout period in seconds. I/O timeout refers to the elapsed time before a print job fails. If the stream of data that the printer receives for a print job is interrupted, this setting indicates how long the printer will wait before it reports that the job has failed.
Wireless Menu	See <a href="#">Table 2-43 Wireless Menu on page 246</a> for details.	
Embedded Jetdirect Menu	See <a href="#">Table 2-44 Embedded Jetdirect Menu on page 246</a> for details. These menus have the same structure. If an additional HP Jetdirect network card is installed in the EIO slot, then both menus are available.	

**Table 2-43 Wireless Menu**

First level	Second level	Third level	Fourth level	Values	Description
Wii-Fi Direct	Status			On Off*	Please refer to the Jetdirect Administrator's Guide
Security	Secure Web			HTTPS Required* HTTPS Optional	Please refer to the Jetdirect Administrator's Guide
	Reset Security			Yes No*	Please refer to the Jetdirect Administrator's Guide

**Table 2-44 Embedded Jetdirect Menu**

First level	Second level	Third level	Fourth level	Values	Description
Information	Print Sec Report			Yes No*	Yes: Prints a page that contains the current security settings on the HP Jetdirect print server.  No: A security settings page is not printed.

**Table 2-44 Embedded Jetdirect Menu (continued)**

First level	Second level	Third level	Fourth level	Values	Description
TCP/IP	Enable			On*	On: Enable the TCP/IP protocol.
				Off	Off: Disable the TCP/IP protocol.
	Host Name			Use the arrow buttons to edit the host name.  <b>NP1XXXXXX*</b>	An alphanumeric string, up to 32 characters, used to identify the printer. This name is listed on the HP Jetdirect configuration page. The default host name is NP1xxxxxx, where xxxxxx is the last six digits of the LAN hardware (MAC) address.
IPV4 Settings		Config Method		Bootp DHCP* Auto IP Manual	<p>Specifies the method that TCP/IPv4 parameters will be configured on the HP Jetdirect print server.</p> <p><b>Bootp</b> (Bootstrap Protocol): Use for automatic configuration from a BootP server.</p> <p><b>DHCP</b> (Dynamic Host Configuration Protocol): Use for automatic configuration from a DHCPv4 server. If selected and a DHCP lease exists, the <b>DHCP Release</b> menu and the <b>DHCP Renew</b> menu are available to set DHCP lease options.</p> <p><b>Auto IP</b>: Use for automatic link-local IPv4 addressing. An address in the form 169.254.x.x is assigned automatically.</p> <p>When this option is set to the <b>Manual</b> setting, use the <b>Manual Settings</b> menu to configure TCP/IPv4 parameters.</p>

**Table 2-44 Embedded Jetdirect Menu (continued)**

First level	Second level	Third level	Fourth level	Values	Description
TCP/IP  (continued)	IPV4 Settings  (continued)	Manual Settings  <b>NOTE:</b> This menu is available only available when using the <a href="#">Manual</a> option under the <a href="#">Config Method</a> menu.	IP Address	Enter the address.	(Available only if the <a href="#">Config Method</a> option is set to the <a href="#">Manual</a> option.) Configure parameters directly from the printer control panel.
			Subnet Mask	Enter the address.	
			Default Gateway	Enter the address.	
		Default IP		<a href="#">Auto IP*</a>  <a href="#">Legacy</a>	Specify the IP address to default to when the print server is unable to obtain an IP address from the network during a forced TCP/IP reconfiguration (for example, when manually configured to use BootP or DHCP).  <b>NOTE:</b> This feature assigns a static IP address that might interfere with a managed network.  <a href="#">Auto IP:</a> A link-local IP address 169.254.x.x is set.  <a href="#">Legacy:</a> The address 192.0.0.192 is set, consistent with older HP Jetdirect products.
		Primary DNS		<a href="#">Range: 0 – 255</a>  <a href="#">Default = xxx.xxx.xx.xx</a>	Specify the IP address (n.n.n.n) of a Primary Domain Name System (DNS) Server.
		Secondary DNS		<a href="#">Range: 0 – 255</a>  <a href="#">Default = 0.0.0.0</a>	Specify the IP address (n.n.n.n) of a Secondary DNS Server.
	IPV6 Settings	Enable		<a href="#">Off</a>  <a href="#">On*</a>	Use this item to enable or disable IPv6 operation on the print server.  <a href="#">Off:</a> IPv6 is disabled.  <a href="#">On:</a> IPv6 is enabled.
		Address	Manual Settings	<a href="#">Enable</a>  <a href="#">Address</a>	Use this item to enable and manually configure a TCP/IPv6 address.



**Table 2-44 Embedded Jetdirect Menu (continued)**

First level	Second level	Third level	Fourth level	Values	Description
TCP/IP (continued)	IPV6 Settings (continued)	DHCPV6 Policy		Router Specified Router Unavailable* Always	<p><b>Router Specified:</b> The stateful auto-configuration method to be used by the print server is determined by a router. The router specifies whether the print server obtains its address, its configuration information, or both from a DHCPv6 server.</p> <p><b>Router Unavailable:</b> If a router is not available, the print server should attempt to obtain its stateful configuration from a DHCPv6 server.</p> <p><b>Always:</b> Whether a router is available, the print server always attempts to obtain its stateful configuration from a DHCPv6 server.</p>
		Primary DNS		Range: 0 – 255 Default = xxx.xxx.xx.xx	Specify the IP address (n.n.n.n) of a Primary Domain Name System (DNS) Server.
		Secondary DNS		Range: 0 – 255 Default = 0.0.0.0	Specify the IP address (n.n.n.n) of a Secondary DNS Server.

**Table 2-44 Embedded Jetdirect Menu (continued)**

First level	Second level	Third level	Fourth level	Values	Description
TCP/IP (continued)	Proxy Server			Select from a provided list.	<p>Specifies the proxy server to be used by embedded applications in the printer. A proxy server is typically used by network clients for Internet access. It caches Web pages, and provides a degree of Internet security for those clients.</p> <p>To specify a proxy server, enter its IPv4 address or fully-qualified domain name. The name can be up to 255 octets.</p> <p>For some networks, contact the Internet Service Provider (ISP) for the proxy server address.</p>
	Proxy Port			Default = <b>0080</b>	<p>Enter the port number used by the proxy server for client support. The port number identifies the port reserved for proxy activity on the network, and can be a value from 0 to 65535.</p>
	Idle Timeout			Default = <b>0270</b>	<p>The time period, in seconds, after which an idle TCP print data connection is closed (default is 270 seconds, 0 disables the timeout).</p>
Security	Secure Web			<p><b>HTTPS Required*</b></p> <p><b>HTTPS Optional</b></p>	<p>For configuration management, specify whether the HP Embedded Web Server will accept communications using HTTPS (Secure HTTP) only, or both HTTP and HTTPS.</p> <p><b>HTTPS Required:</b> For secure, encrypted communications, only HTTPS access is accepted. The print server will appear as a secure site.</p>

**Table 2-44 Embedded Jetdirect Menu (continued)**

First level	Second level	Third level	Fourth level	Values	Description
Security (continued)	IPSEC			Keep	Specify the IPsec status on the print server.  Keep: IPsec status remains the same as currently configured.  Disable: IPsec operation on the print server is disabled.
				Disable*	
	802.1X			Reset Keep*	Specify whether the 802.1X settings on the print server are reset to the factory defaults.  Reset: The 802.1X settings are reset to the factory defaults.  Keep: The current 802.1X settings are maintained.
	Announcement Agent			Enable* Disable	
	Reset Security			Yes No*	Specify whether the current security settings on the print server will be saved or reset to factory defaults.  Yes: Security settings are reset to factory defaults.  No: The current security settings are maintained.

**Table 2-44 Embedded Jetdirect Menu (continued)**

First level	Second level	Third level	Fourth level	Values	Description
Diagnostics (M552, M553)	Embedded Tests	LAN HW Test		Yes	<p>Provides tests to help diagnose network hardware or TCP/IP network connection problems.</p> <p>Embedded tests help to identify whether a network fault is internal or external to the printer. Use an embedded test to check hardware and communication paths on the print server. After selecting and enabling a test, and setting the execution time, select the <b>Execute</b> option to initiate the test.</p> <p>Depending on the execution time, a selected test runs continuously until either the printer is turned off, or an error occurs and a diagnostic page is printed.</p> <p><b>CAUTION:</b> Running this embedded test will erase the TCP/IP configuration.</p> <p>This test performs an internal loop-back test. An internal loop-back test will send and receive packets only on the internal network hardware. There are no external transmissions to the network.</p>
				No*	
		HTTP Test		Yes No*	<p>This test checks operation of HTTP by retrieving predefined pages from the printer, and tests the HP Embedded Web Server.</p> <p>Select the <b>Yes</b> option to choose this test, or the <b>No</b> option to not choose it.</p>

**Table 2-44 Embedded Jetdirect Menu (continued)**

First level	Second level	Third level	Fourth level	Values	Description
Diagnostics (M552, M553)  (continued)	Embedded tests  (continued)	SNMP Test		Yes  No*	This test checks operation of SNMP communications by accessing predefined SNMP objects on the printer.  Select the <b>Yes</b> option to choose this test, or the <b>No</b> option to not choose it.
		Data Path Test		Yes  No*	This test helps to identify data path and corruption problems on an HP postscript level 3 emulation printer. It sends a predefined PS file to the printer. However, the test is paperless; the file will not print.  Select the <b>Yes</b> option to choose this test, or the <b>No</b> option to not choose it.
		Select All Tests		Yes  No*	Use this item to select all available embedded tests.  Select the <b>Yes</b> option to choose all tests. Select the <b>No</b> option to select individual tests.
		Execution Time [H]		Range: 1 – 24 hours  Default = 1 hour	Specify the length of time (in hours) that an embedded test will be run. Select zero (0) to run the test runs indefinitely, until an error occurs or the printer is turned off.  Data gathered from the HTTP, SNMP, and Data Path tests is printed after the tests have completed.
		Execute		No*  Yes	<b>No:</b> Do not initiate the selected tests.  <b>Yes:</b> Initiate the selected tests.

**Table 2-44 Embedded Jetdirect Menu (continued)**

First level	Second level	Third level	Fourth level	Values	Description	
Diagnostics (M552, M553)  (continued)	Ping Test	Dest Type		IPv4	This test is used to check network communications. It sends link-level packets to a remote network host, then waits for an appropriate response.  Specify whether the target printer is an IPv4 or IPv6 node.	
				IPv6		
			Dest IPv4	Range: 0 – 255  Default = <b>127.0.0.1</b>		Enter the IPv4 address.
			Dest IPv6	Select from a provided list.  Default = <b>:: 1</b>		Enter the IPv6 address.
			Packet Size	Default = <b>64</b>		Specify the size of each packet, in bytes, to be sent to the remote host. The minimum is 64 (default) and the maximum is 2048.
			Timeout	Default = <b>001</b>		Specify the length of time, in seconds, to wait for a response from the remote host. The maximum is 100.
			Count	Default = <b>004</b>		Specify the number of ping test packets to send for this test. Select a value from 0 to 100. To configure the test to run continuously, select 0.
			Print Results	Yes  No*		
			Execute	Yes  No*		No: Do not initiate the selected tests.  Yes: Initiate the selected tests.
			Ping Results	Packets Sent		

**Table 2-44 Embedded Jetdirect Menu (continued)**

First level	Second level	Third level	Fourth level	Values	Description
Diagnostics (M552, M553)  (continued)	Ping Results  (continued)	Packets Received		Default = <b>00000</b>	Shows the number of packets (0 - 65535) received from the remote host since the most recent test was initiated or completed. The default is 0.
		Percent Lost		Default = <b>000</b>	Shows the percent (0 to 100) of ping test packets that were sent with no response from the remote host since the most recent test was initiated or completed.
		RTT Min		Default = <b>0000</b>	Shows the minimum detected roundtrip-time (RTT), from 0 to 4096 milliseconds, for packet transmission and response.
		RTT Max		Default = <b>0000</b>	Shows the maximum detected roundtrip-time (RTT), from 0 to 4096 milliseconds, for packet transmission and response.
		RTT Average		Default = <b>0000</b>	Shows the average round-trip-time (RTT), from 0 to 4096 milliseconds, for packet transmission and response.
		Ping In Progress		Yes No*	Shows whether a ping test is in progress. <b>Yes</b> Indicates a test in progress. <b>No</b> Indicates that a test completed or was not run.
		Refresh		Yes No*	When viewing the ping test results, this item upgrades the ping test data with current results. Select the <b>Yes</b> option to upgrade the data, or the <b>No</b> option to maintain the existing data. However, a refresh automatically occurs when the menu times out or the user manually returns to the main menu.

**Table 2-44 Embedded Jetdirect Menu (continued)**

First level	Second level	Third level	Fourth level	Values	Description
Link Speed				Auto*	<p>The link speed and communication mode of the print server must match the network. The available settings depend on the printer and installed print server. Select one of the following link configuration settings:</p> <p><b>CAUTION:</b> Changing the link setting might result in lost network communications between the print server and networked printer.</p> <p>The print server uses auto-negotiation to configure itself with the highest link speed and communication mode allowed. If auto-negotiation fails, either the <b>100TX Half</b> feature or the <b>10T Half</b> feature is set depending on the detected link speed of the hub/switch port. (A 1000T half-duplex selection is not supported.)</p>
				10T Half	10 Mbps, half-duplex operation.
				10T Full	10 Mbps, full-duplex operation.
				10T Auto	100 Mbps, half-duplex operation.
				100TX Half	100 Mbps, full-duplex operation.
				100TX Full	Limits auto-negotiation to a maximum link speed of 100 Mbps.
				100TX Auto	1000 Mbps, full-duplex operation.



## Troubleshooting menu

**To display:** At the printer control panel, select the [Administration](#) menu, and then select the [Troubleshooting](#) menu.

In the following table, asterisks (\*) indicate the factory default setting.



**NOTE:** For the M553x model, use the [Save](#) button to save a selected option.

For all other models, use the up arrow ▲ button or down arrow ▼ button to highlight an option, and then press the [OK](#) button to save the selected option.

**Table 2-45 Troubleshooting menu**

First level	Second level	Third level	Fourth level	Values	Description
Event Log				View* (M553) Print	Use to print a list of the 1,000 most recent events in the Event Log. For each event, the printed log shows the error number, page count, error code, and description or personality.
Paper Path Page				View* (M553x) Print	Shows how many pages were printed from each tray.
Fax (M577 only)	Fax T.30 Trace	Print T.30 Report		Print	Use to print or configure the fax T.30 trace report. T.30 is the standard that specifies handshaking, protocols, and error correction between fax machines.
		When to Print Report		Never automatically print* Print after every fax Print only after fax send jobs Print after any fax error Print only after fax send errors Print only after fax receive errors	Configure the T.30 report to print after certain events. You can choose to print the report after every fax job, every fax job sent, every fax job received, every send error, or every receive error.
	Fax V.34			Normal* Off	Use to disable V.34 modulations if several fax failures have occurred or if phone line conditions require it.
	Fax Speaker Mode			Normal* Diagnostic	Used by a technician to evaluate and diagnose fax issues by listening to the sounds of fax modulations

**Table 2-45 Troubleshooting menu (continued)**

First level	Second level	Third level	Fourth level	Values	Description
Fax (M577 only) (continued)	Fax Log Entries			Standard* Detailed*	The standard fax log includes basic information such as the time and whether the fax was successful. The detailed fax log shows the intermediate results of the redial process not shown in the standard fax log.
Print Quality Pages	Print PQ Troubleshooting Page			Print	Use this item to print pages that can help resolve problems with print quality.
	Diagnosics Page			Print	Use to print a diagnostics page. The page includes color swatches and a table of electrophotographic (EP) parameters.
	Color Band Test	Print Test Page		Print	Use to print a page to help identify arcing in the high-voltage power supply for each color. The page contains a series of colored bars. If streaks appear on a bar, the high-voltage power supply for the corresponding color might have a problem.
		Copies		Range: 1 – 30 Default = 1	Some problems with the high-voltage power supply do not appear until after several pages have been printed, so this test includes an option to print up to 30 pages.
Diagnostic Tests	Disable Cartridge Check				Use this diagnostic test to print internal pages or send an external job to the printer when the toner cartridge is removed or exchanged. Supply errors are ignored while the printer is in this mode.
	Paper Path Sensors			Select from a list of the printer sensors.	Initiates a test of the paper path sensors.
	Paper Path Test	Source Tray		Select from a list of the available trays.	Generates a test page for testing paper handling features. Test specific paper paths by choosing which path the printer uses for the test.

**Table 2-45 Troubleshooting menu (continued)**

First level	Second level	Third level	Fourth level	Values	Description
Diagnostic Tests (continued)	Paper Path Test (continued)	Test Duplex Path		Off* On	
		Number of Copies		Range: 1–500 Default = 1	Sets the default number of copies for a copy job. This default applies when the Copy or Quick Copy function is initiated from the printer Home screen. The factory default setting is 1.
	Manual Sensor Test			Select from a list of available components.  Reset Sensors	Test the printer sensors and switches for correct operation. Each sensor is displayed on the control-panel screen, along with its status. Manually trip each sensor and watch for it to change on the screen. Press the <b>Stop</b> button to abort the test.
	Tray/Bin Manual Sensor Test			Select from a list of available components.  Reset Sensors	Test the sensors in the trays and bins for correct operation. Each sensor is displayed on the control-panel screen, along with its status. Manually trip each sensor and watch for it to change on the screen. Press the <b>Stop</b> button to abort the test.
	Component Test			Select from a list of available components.	Use this item to exercise individual parts independently to isolate noise, leaking, or other issues. To start the test, select one of the components. The test will run the number of times specified by the <b>Repeat</b> option. The user might be prompted to remove parts from the printer during the test. Press the <b>Stop</b> button to abort the test.
	Print/Stop Test (M552, M553)				Specify the length of time in milliseconds (0–60,000).
	Scanner Tests (M577)			Sensors	
	Fax Test Report (M577)				Touch <b>Start</b> to process the Fax Test Report.
	Continuous Scan (M577)			2-sided	

**Table 2-45 Troubleshooting menu (continued)**

First level	Second level	Third level	Fourth level	Values	Description
Retrieve Diagnostic Data				Create device data file Create zipped debug information file Include crash dump files Clean up debug information Export to USB	Create files that contain information about the printer that can help identify the cause of problems.
Generate Debug Data				Start	
Retrieve Fax Diagnostic Data (M577)					Enter user access code to retrieve fax diagnostic data.

## Device Maintenance menu

### Backup/Restore menu

**To display:** At the printer control panel, select the [Device Maintenance](#) menu, and then select the [Backup/Restore](#) menu.

In the following table, asterisks (\*) indicate the factory default setting.



**NOTE:** For the M553x model, use the [Save](#) button to save a selected option.

For all other models, use the up arrow ▲ button or down arrow ▼ button to highlight an option, and then press the [OK](#) button to save the selected option.

**Table 2-46 Backup/Restore menu**

First level	Second level	Third level	Values	Description
Back up Data	Backup Now			Initiate a backup.
Restore Data			Insert a USB drive that contains the backup file.	Restore data from an external source.

### Calibration/Cleaning menu (M577 only)

**To display:** At the product control panel, select the [Device Maintenance](#) menu, and then select the [Calibration/Cleaning](#) menu.

In the following table, asterisks (\*) indicate the factory default setting.

**Table 2-47 Calibration/Cleaning menu (M577)**

First level	Second level	Values	Description
Cleaning Settings	Auto Cleaning	Off*	Use to select the <a href="#">Auto Cleaning</a> menu or the <a href="#">Cleaning Interval</a> menu.
		On	

**Table 2-47 Calibration/Cleaning menu (M577) (continued)**

First level	Second level	Values	Description
	Cleaning Interval	Select from a list of cleaning intervals.	Use to set the interval when the cleaning page should be printed. The interval is measured by the number of pages printed.
	Cleaning Size	Select from a list of support sizes.	Select the paper size to use for the cleaning page.
Cleaning Page		Print	Use to process the cleaning page that was created by using the <a href="#">Create Cleaning Page</a> menu. The process takes up to 1.5 minutes.
Quick Calibration		Start	<p>The product automatically calibrates itself at various times. However, you can calibrate the product immediately if you see problems with print quality. Use this feature to perform a partial calibration. Use this calibration if color density or tone seems incorrect.</p> <p>Before calibrating the product, make sure that the <b>Ready</b> indicator displays on the control-panel display. If a job is in progress, the calibration occurs when that job is complete.</p>
Full Calibration		Start	<p>The product automatically calibrates itself at various times. However, you can calibrate the product immediately if you see problems with print quality. Use this feature to perform a full calibration, which can take up to three minutes. Use this calibration if the color layers seem to be shifted on the page.</p> <p>Before calibrating the product, make sure that the <b>Ready</b> indicator displays on the control-panel display. If a job is in progress, the calibration occurs when that job is complete.</p>
Restore Calibration		Restore	If there are problems with print quality that have not been resolved using a <a href="#">Full Calibration</a> , touch <a href="#">Restore</a> to restore the calibration values to factory default settings. The product will turn off, then on.

**Table 2-47 Calibration/Cleaning menu (M577) (continued)**

First level	Second level	Values	Description
Delay Calibration at Wake/Power On		Disabled Enabled*	<p>Controls the timing of power-on calibration when the product wakes up or is turned on.</p> <p><b>Wake:</b> Select if you are not using the feature and want to print jobs immediately when the product wakes up or is turned on, before calibration begins.</p> <p><b>No:</b> The product will calibrate immediately when it wakes up or is turned on. The product will not print any jobs until it finishes calibrating.</p> <p><b>Yes:</b> Enables the product that is asleep to accept print jobs before it calibrates. It might start calibrating before it has printed all the jobs it has received. This option allows quicker printing when coming out of sleep mode or when you turn the product on, but print quality might be reduced.</p> <p><b>NOTE:</b> For the best results, allow the product to calibrate before printing. Print jobs performed before calibration might not be of the highest quality.</p>
Calibrate Scanner			Touch <b>Next</b> to calibrate the device scanner. Messages on the control-panel display will lead you through the calibration process.
Clean Rollers		Reset Cancel	<b>Maintenance History</b> screen is view only. There are two options: the <b>Reset</b> option to reset the page count, or the <b>Cancel</b> option to go back to the previous screen.
Clean Document Feeder Settings	Low Threshold Settings	Range: 0 – 100% Default = 10%	Configure cleaning settings for the document feeder.
	Very Low Settings	Stop Prompt to continue* Continue	

### USB Firmware Upgrade menu

**To display:** At the printer control panel, select the [Device Maintenance](#) menu, and then select the [USB Firmware Upgrade](#) menu.

Insert a USB storage device with a firmware upgrade bundle into the USB port, and follow the on-screen instructions.

### HP FutureSmart Level menu

**To display:** At the printer control panel, select the [Device Maintenance](#) menu, and then select the [HP FutureSmart Level](#) menu.

Select an HP FutureSmart level that is available in the currently installed firmware, and then select [Change](#).

### Service menu

**To display:** At the printer control panel, select the [Device Maintenance](#) menu, and then select the [Service](#) menu.

The [Service](#) menu is locked and requires a PIN for access. This menu is intended for use by authorized service personnel. See the Service mode function section in the printer troubleshooting manual.

## Control panel message document (CPMD)

### Control-panel message types

The control-panel messages and event code entries indicate the current printer status or situations that might require action.

---

 **NOTE:** Event log errors do not appear on the control-panel display. Open the event log to view (M553x only) or print the event log errors.

---


A control-panel message displays temporarily and might require the user to acknowledge the message by touching the **OK** button to resume printing or by touching the **Stop** button to cancel the job. With certain messages, the job might not finish printing or the print quality might be affected. If the message is related to printing and the auto-continue feature is on, the printer will attempt to resume printing after the message has appeared for 10 seconds without acknowledgement.

For some messages, restarting the printer might fix the problem. If a critical error persists, the printer might require service.

### Control-panel messages and event log entries

---

 **NOTE:** Some of the messages in the following sections only appear in the event log.

 **TIP:** Some control-panel messages and event log entries refer to a specific product sensor or switch in the recommended action to solve the problem. See the diagrams in the clear jams section of the product troubleshooting manual for sensor and switch locations.

---

### 10.XX.YZ Error Messages

#### Event log error message


#### 10.39.70 Document feeder kit very low


#### Description

The 10.XX.70 is an event log only message, it will not show on the control panel. The only message to display will be a warning message **<Supply> very low**.

The product indicates when Automatic Document feeder (ADF) maintenance kit is very low. The actual remaining Automatic Document feeder (ADF) maintenance kit life might vary.

---

 **NOTE:** Check the Event Log for the 10.39.70 code. If this error is listed, proceed with the below Recommend Action.

 **NOTE:** After an HP supply has reached the very low threshold, the HP Premium Protection Warranty for that supply has ended.

---

#### Recommended action

The customer must order and pay for a replacement ADF roller maintenance kit.

---

 **NOTE:** After replacing the Document feeder Maintenance kit, reset the Maintenance kit page counter by selecting New Document Feeder Kit in the Manage Supplies sub-menu.

---



## 10.0X.00 Supply memory error

### Description

- 10.00.00 Black toner cartridge
- 10.01.00 Cyan toner cartridge
- 10.02.00 Magenta toner cartridge
- 10.03.00 Yellow toner cartridge

The product is unable to read the toner cartridge data. The toner cartridge is present but defective.

When this error occurs, a question mark appears on the gas gauge of the supply or supplies with the error.

If multiple supplies have this error, a 10.0X.Y0 error for the first supply detected with the error displays. After the user resolves the error that corresponds to the first supply, another 10.0X.00 error displays for the next supply. This continues for all supplies memory errors.

### Recommended action

1. Open the front door and remove the toner cartridge suspected.
2. Check the supplies memory chip. If it is damaged, replace the toner cartridge.
3. Reinsert the toner cartridge.
4. Close the front door.
5. If the message displays again, turn the product off, then on again.
6. If the error persists, replace the toner cartridge suspected.

## 10.0X.10 Supply memory error

### Description

The product is unable to read the toner cartridge data. The toner cartridge is present but defective.

When this error occurs, a question mark appears on the gas gauge of the supply or supplies with the error.

If multiple supplies have this error, a 10.0X.10 error for the first supply detected with the error displays. After the user resolves the error that corresponds to the first supply, another 10.0X.Y0 error displays for the next supply. This continues for all supplies memory errors.

- 10.00.10 : Black toner cartridge
- 10.01.10 : Cyan toner cartridge
- 10.02.10 : Magenta toner cartridge
- 10.03.10: Yellow toner cartridge

### Recommended action

1. Open the front door and remove the toner cartridge.
2. Check the supplies memory chip. If it is damaged, replace the toner cartridge.
3. Reinsert the toner cartridge.

4. Close the front door. If the message reappears, turn the product off, and then on again.
5. If the error persists, replace the toner cartridge.

#### 10.OX.15 Install <supply>

##### Description

A supply is either not installed or not correctly installed in the product.

The 10.XX.15 is an event log only message, it will not show on the control panel. The only message to display will be **Install <Supply>** message.

- 10.00.15: Black toner cartridge (event code)
- 10.01.15: Cyan toner cartridge (event code)
- 10.02.15: Magenta toner cartridge (event code)
- 10.03.15: Yellow toner cartridge (event code)

##### Recommended action

Replace or reinstall the toner cartridge correctly to continue printing.

#### 10.OX.25 Wrong cartridge in <color> slot

##### Description

The product displays this message when a toner cartridge is installed in the wrong slot.

The 10.XX.25 is an event log only message, it will not show on the control panel. The only message to display will be **Wrong cartridge in <color> slot** message.

##### The indicated cartridge is installed in the wrong position:

- 10.00.25: Black toner cartridge (event code)
- 10.01.25: Cyan toner cartridge (event code)
- 10.02.25: Magenta toner cartridge (event code)
- 10.03.25: Yellow toner cartridge (event code)

##### Recommended action

From left to right, the toner cartridges should be installed in this order:

- Yellow
- Magenta
- Cyan
- Black

Reinstall the toner cartridges in the correct slots.

### 10.0X.35 Incompatible <supply>

#### Description

The product displays this message when the indicated supply is not compatible with this product.

The 10.XX.35 is an event log only message, it will not show on the control panel. The only message to display will be **Incompatible <supply>** message.

- 10.00.35: Black toner cartridge (event code)
- 10.01.35: Cyan toner cartridge (event code)
- 10.02.35: Magenta toner cartridge (event code)
- 10.03.35: Yellow toner cartridge (event code)

#### Recommended action

Install a supply that is designed for this product.

See the product repair and replacement service manual for the correct supply part numbers.

### 10.0X.60 <Supply> low

#### Description

The product indicates when a supply level is low. Actual toner cartridge life might vary. You do not need to replace the toner cartridge at this time unless print quality is no longer acceptable.

The 10.XX.60 is an event log only message, it will not show on the control panel. The only message to display will be **<Supply> low** message.

- 10.00.60: Black toner cartridge (event code)
- 10.01.60: Cyan toner cartridge (event code)
- 10.02.60: Magenta toner cartridge (event code)
- 10.03.60: Yellow toner cartridge (event code)

#### Recommended action

If print quality is no longer acceptable, replace the toner cartridge. Consider purchasing a replacement cartridge so it is available when the installed cartridge has reached the end of its estimated life.

### 10.0X.69 <Supply> very low

#### Description

The product indicates when a supply level is very low. Actual toner cartridge life might vary. Consider having a replacement toner cartridge available to install when print quality is no longer acceptable. You do not need to replace the toner cartridge at this time unless the print quality is no longer acceptable.

The 10.XX.69 is an event log only message, it will not show on the control panel. The only message to display will be **<Supply> very low** message.



**NOTE:** After an HP supply has reached the very low threshold, the HP Premium Protection Warranty for that supply has ended.

- 10.00.69: Black toner cartridge very low (event code)
- 10.01.69: Cyan toner cartridge very low (event code)
- 10.02.69: Magenta toner cartridge very low (event code)
- 10.03.69: Yellow toner cartridge very low (event code)

**Recommended action**

If print quality is no longer acceptable, replace the toner cartridge.

**10.0X.70 Printing past very low**

**Description**

The product indicates when one of the consumables is very low. The actual remaining consumable life might vary. You do not need to replace the toner cartridge at this time unless the print quality is no longer acceptable.

The 10.XX.70 is an event log only message, it will not show on the control panel. The only message to display will be a warning message **<Supply> very low**.




---

**NOTE:** After an HP supply has reached the very low threshold, the HP Premium Protection Warranty for that supply has ended.

---

- 10.00.70: Black toner cartridge (event code)
- 10.01.70: Cyan toner cartridge (event code)
- 10.02.70: Magenta toner cartridge (event code)
- 10.03.70: Yellow toner cartridge (event code)

**Recommended action**

If print quality is no longer acceptable, the customer must order and pay for a new toner cartridge.




---

**NOTE:** Advise the customer that HP recommends that they have replacement supplies available to install when the print quality is no longer acceptable.

---

**10.0X.91 <supply> error**

**Description**

Toner cartridge motor stall.

- 10.00.91: Black toner cartridge
- 10.01.91: Cyan toner cartridge
- 10.02.91: Magenta toner cartridge
- 10.03.91: Yellow toner cartridge

**Recommended action**

1. Check Event log for occurrences of 59.6X errors. If these are seen troubleshooting that error.
2. Perform the image-drum motors component test under the [Troubleshooting menu](#).
3. Replace the toner cartridge.

**10.0X.92 <Cartridge> error****Description**

Toner cartridges not engaged.

- 10.00.92: Black toner cartridge
- 10.01.92: Cyan toner cartridge
- 10.02.92: Magenta toner cartridge
- 10.03.92: Yellow toner cartridge

**Recommended action**

1. Open front door, Remove and reinstall toner cartridge.
2. Check toner cartridge for any damage or defects.
3. Replace the toner cartridge.

**10.22.15 Install transfer unit****Description**

The transfer unit has been removed or is installed incorrectly.

**Recommended action**

Install the transfer unit. If already installed, remove the transfer unit and then reinstall it.

If the product could not find the ITB contact alienation home position, check the ITB alienation sensor SR5.

Use the [ITB Contact/Alienation](#) in the [Component Test](#) to verify that the ITB alienation mechanism is functioning properly. If it is not, replace the fuser drive assembly.



---

**NOTE:** Replacing the fuser drive assembly involves removing the main drive assembly. Only perform this step after contacting HP support.

---

Check and reconnect the connector (J15) of the T1 roller alienation sensor, connectors (J2504 and J2502) on the high-voltage power supply T PCA and connector (J131) on the DC controller PCA.

**10.22.60 Transfer Kit low 10.22.69 Transfer Kit very low****Description**

The product indicates when a supply level is low or very low.

**Recommended action**

Replace the ITB kit when print quality becomes unacceptable.


### 10.22.70 Transfer Kit Printing past very low


#### Description

The product indicates when a supply level is very low.

The 10.XX.70 is an event log only message, it will not show on the control panel. The only message to display will be a warning message **<Supply> very low**.

---

 **NOTE:** Check the Event Log for the 10.22.70 code. If this error is listed, proceed with the below Recommend Action.

 **NOTE:** After an HP supply has reached the very low threshold, the HP Premium Protection Warranty for that supply has ended.


---

#### Recommended action

If print quality is no longer acceptable, the customer (at a minimum) must order and pay for a replacement Intermediate Transfer Belt (ITB). However, HP recommends that the customer order and install a Intermediate transfer belt Kit at this time.

- Intermediate transfer belt (ITB) and secondary transfer roller kit: B5L24-67901

---

 **NOTE:** Advise the customer that HP recommends that they have replacement supplies available to install when the print quality is no longer acceptable.

---

### 10.23.15 Install Fuser kit

#### Description

The fuser is either not installed, or not correctly installed in the product.

#### Recommended action

---

 **CAUTION:** Use caution when handling the fuser. The fuser might be hot when the product is operating.

---

Remove, and then reinstall the fuser. Make sure that the fuser is fully seated.

### 10.23.60 Fuser Kit low


#### Description

The product indicates when a supply level is low.

#### Recommended action

Replace the fuser kit.

---

 **NOTE:** After replacing the fuser kit, reset the fuser page counter by selecting the [new fuser kit](#) in the [reset supplies](#) menu.

---

### 10.23.70 Replace Fuser Kit


#### Description


The 10.XX.70 is an event log only message, it will not show on the control panel. The only message to display will be a warning message **<Supply> very low**.

The product indicates when the fuser kit is at its estimated end of life. The actual life remaining might be different than the estimation. Have a replacement fuser kit available to install when print quality is no longer acceptable.

The fuser kit does not need to be replaced now unless the print quality is no longer acceptable.

---

 **NOTE:** Check the Event Log for the 10.23.70 code. If this error is listed, proceed with the below Recommend Action.

 **NOTE:** After the fuser kit reaches its approximated end of life, the HP Premium Protection Warranty on that fuser kit ends.

---

#### **Recommended action**

If print quality is no longer acceptable, the customer must order and pay for a replacement Fuser Kit.

- B5L35-67901 — Fuser kit (110V)
- B5L36-67901 — Fuser Kit (220V)

---

 **WARNING!** Use caution when handling the fuser. The fuser might be hot when the product is operating.

---

1. Open the right door.
2. Grasp the blue handles on both sides of the fuser and pull straight out to remove it.
3. Install the replacement fuser.
4. Close the right door.

### **10.31.60 Toner collection unit almost full**

#### **Description**

Toner collection unit is almost full.

#### **Recommended action**

Replace the toner collection unit.


### **10.31.70 Replace Toner Collection Unit**

#### **Description**

The 10.XX.70 is an event log only message, it will not show on the control panel. The only message to display will be a warning message **<Supply> very low** .

The product indicates when a toner collection unit is at its estimated end of life.

---


 **NOTE:** After a toner collection unit has reached its end of life, the HP Premium Protection Warranty on that toner collection unit ends.

---

#### **Recommended action**

Replace the toner collection unit.

---

 **NOTE:** Printing past the **Replace Toner Collection Unit** message is not a recommended option because of the risk of overfilling the toner collection unit, which could result in the need to service the product.

---

### 10.39.60 Document feeder kit low

#### Description

The product indicates when a supply level is low.

#### Recommended action

Replace the document feeder kit.

### 10.99.31 Non-HP supply in use.

#### Description


The product displays this message when a used supply (a remanufactured or refilled genuine HP or non-HP product) has been installed.


The 10.99.31 is an event log only message, it will not show on the control panel. The only message to display will be **Used supply in use** message.

#### Recommended action

The toner cartridge has been previously used. Touch the **OK** to continue.

---

 **NOTE:** Removing a cartridge from one product and then installing it in a different product (for testing functionality) will cause this event code.

 **NOTE:** If you believe you purchased a genuine HP supply, go to [www.hp.com/go/anticounterfeit](http://www.hp.com/go/anticounterfeit).

---

### 10.99.34 Used supply in use.

#### Description


The product displays this message when a used supply (a remanufactured or refilled genuine HP or non-HP product) has been installed.

The 10.99.34 is an event log only message, it will not show on the control panel. The only message to display will be **Used supply in use** message.

#### Recommended action

The toner cartridge has been previously used. Touch the **OK** to continue.

---

 **NOTE:** Removing a cartridge from one product and then installing it in a different product (for testing functionality) will cause this event code.

 **NOTE:** If you believe you purchased a genuine HP supply, go to [www.hp.com/go/anticounterfeit](http://www.hp.com/go/anticounterfeit).

---

### 10.99.40 Genuine HP supplies installed

#### Description

The product displays this message when a new cartridge has been installed and all cartridges are Genuine HP.

#### Recommended action

Touch the **(OK)** to continue.



## 10.99.41 Unsupported Supply in use

### Description

The indicated toner cartridge is for a different product.

### Recommended action

Remove the indicated toner cartridge, and then install the correct cartridge for this product.

 **TIP:** See the parts chapter in the product repair manual for the correct cartridge part number.

---

## 11.XX.YZ Error Messages

### 11.00.01 or 11.00.02 Internal clock error

#### Description

The printer real time clock has experienced an error.

01=dead clock

02=dead real time clock

#### Recommended action

1. Whenever the printer is turned off and then turned on again, set the time and date on the control panel.
2. If the error persists, you might need to replace the formatter.

## 13.XX.YZ Error Messages

### 13.00.00

#### Description

Generic jam event code.

#### Recommended action

Check the printer for a jam. See the clear jams section in the service manual.

### 13.00.EE

#### Description

Unknown door open.

#### Recommended action

make sure that all of the doors and covers are closed.

### 13.A3.DX

#### Description

Media Delay Jam in Tray X.

Media did not reach the Tray 3 Feed sensor (SR21) in the designated amount of time printing from Tray X.

The 550 Sheet feeders can be stacked for 3 extra trays. These trays have all the same sensors and connectors.

- **13.A3.D3**

Media did not reach the Tray 3 feed sensor in the designated amount of time printing from Tray 3.

- **13.A3.D4**

Media did not reach the Tray 3 feed sensor in the designated amount of time printing from Tray 4.

- **13.A3.D5**

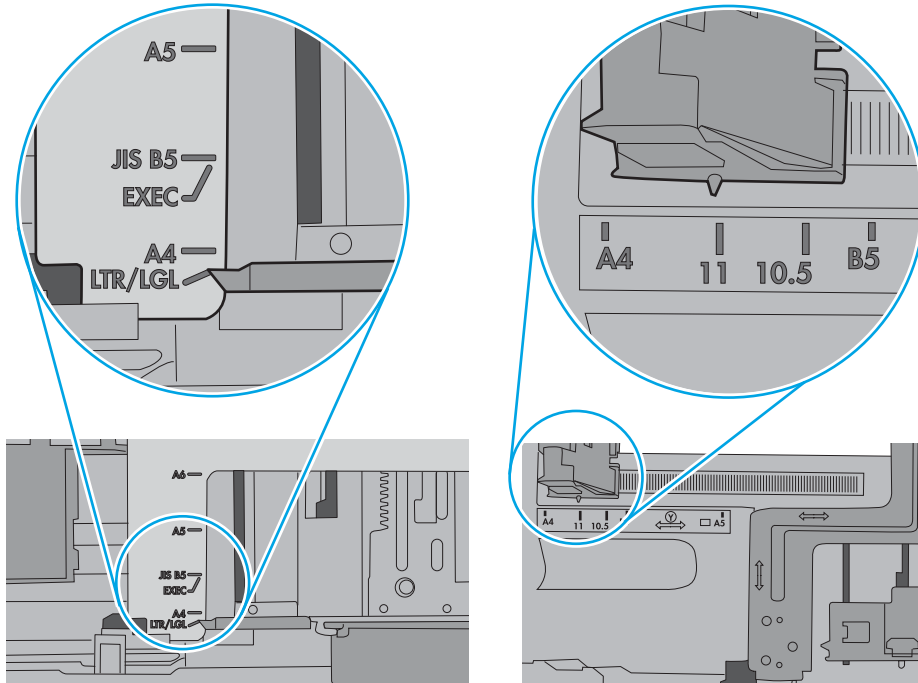
Media did not reach the Tray 3 feed sensor in the designated amount of time printing from Tray 5.

**Recommended action**

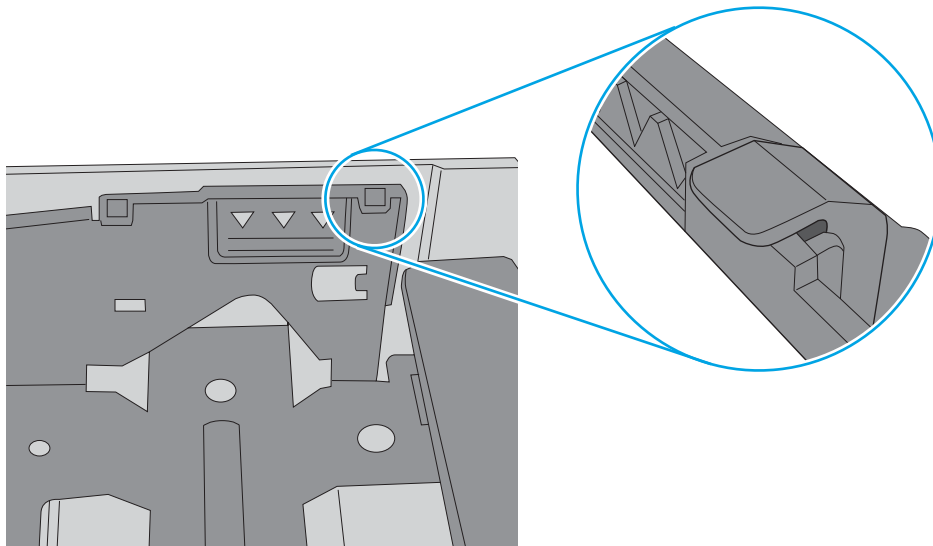
1. Open Tray X, remove any jammed paper, and then close the tray.
2. Open and close the upper right door to allow the printer to attempt to clear the jam.

3. Make sure that the tray width and length guides are set to the correct paper size being installed into the tray and that the tray is not over filled above fill mark and over the tab on the tray.

**Figure 2-73** Paper Tray guides



**Figure 2-74** Paper height guides



4. Make sure that the Tray X pickup, feed, and separation roller are installed correctly and show no damage or wear.
5. Clean or replace the pickup/feed rollers as needed.
6. If printer has multiple 550 sheet feeders swap feeder position and test.
7. Check the connectors at the sensor (J1904), feed motor (J1903), on the Paper Feeder controller PCA for Tray 3.
8. Open the following menus:

- **Administration**
- **Troubleshooting**
- **Diagnostic Tests**

9. Test SR21 using the Tray/Bin Manual sensor test to verify that the sensors are functioning correctly.
10. Run the Tray X pickup/feed motor drive test to verify that the feed motor is functioning correctly (listen for the motor to activate). If it is not, replace the pickup assembly.
11. If the error persists, replace the paper pickup assembly.

### 13.A4.DX

#### Description

Media Delay Jam in Tray X.

Media did not reach the Tray 4 Feed sensor (SR21) in the designated amount of time printing from Tray X.

The 550 Sheet feeders can be stacked for 3 extra trays. These trays have all the same sensors and connectors.

- **13.A4.D4**

Media did not reach the Tray 3 feed sensor in the designated amount of time printing from Tray 4.

- **13.A4.D5**

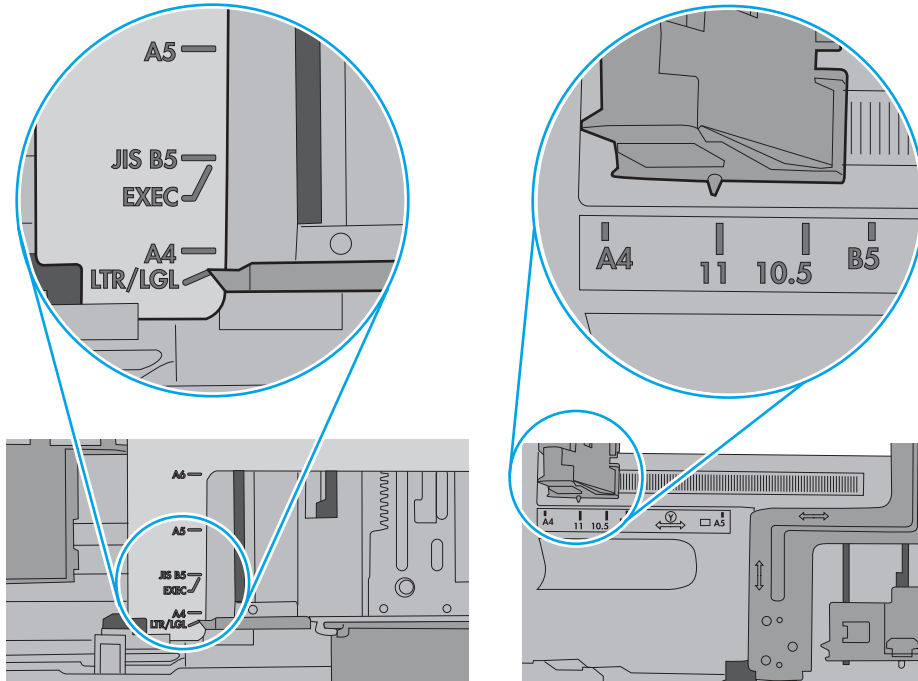
Media did not reach the Tray 3 feed sensor in the designated amount of time printing from Tray 5.

#### Recommended action

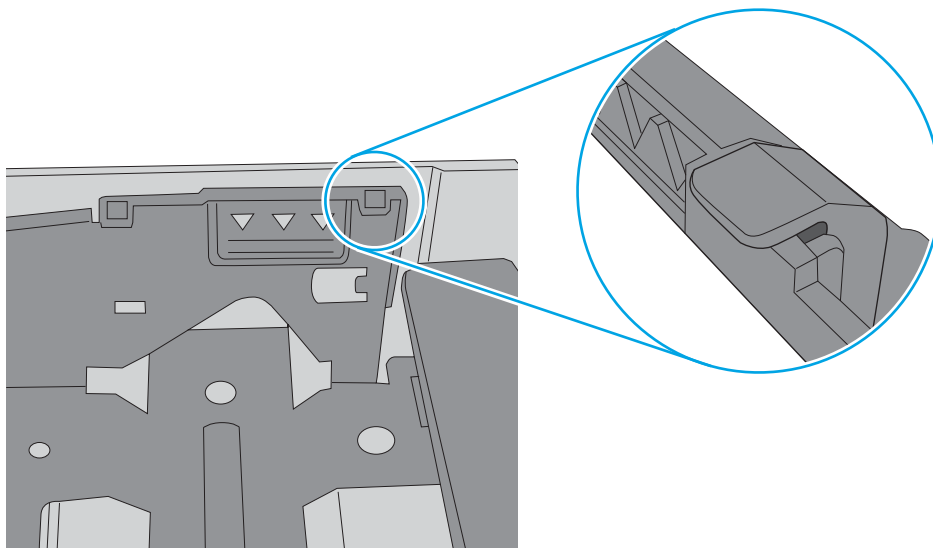
1. Open Tray X, remove any jammed paper, and then close the tray.
2. Open and close the upper right door to allow the printer to attempt to clear the jam.

3. Make sure that the tray width and length guides are set to the correct paper size being installed into the tray and that the tray is not over filled above fill mark and over the tab on the tray.

**Figure 2-75** Paper Tray guides



**Figure 2-76** Paper height guides



4. Make sure that the Tray X pickup, feed, and separation roller are installed correctly and show no damage or wear.
5. Clean or replace the pickup/feed rollers as needed.
6. If printer has multiple 550 sheet feeders swap feeder position and test.
7. Check the connectors at the sensor (J1904), feed motor (J1903), on the Paper Feeder controller PCA for Tray 4.
8. Open the following menus:

- **Administration**
- **Troubleshooting**
- **Diagnostic Tests**

9. Test SR21 using the Tray/Bin Manual sensor test to verify that the sensors are functioning correctly.
10. Run the Tray X pickup/feed motor drive test to verify that the feed motor is functioning correctly (listen for the motor to activate). If it is not, replace the pickup assembly.
11. If the error persists, replace the paper pickup assembly.

### 13.A5.D5

#### **Description**

Media Delay Jam in Tray X.

Media did not reach the Tray 5 Feed sensor (SR21) in the designated amount of time printing from Tray X.

- **13.A5.D5**

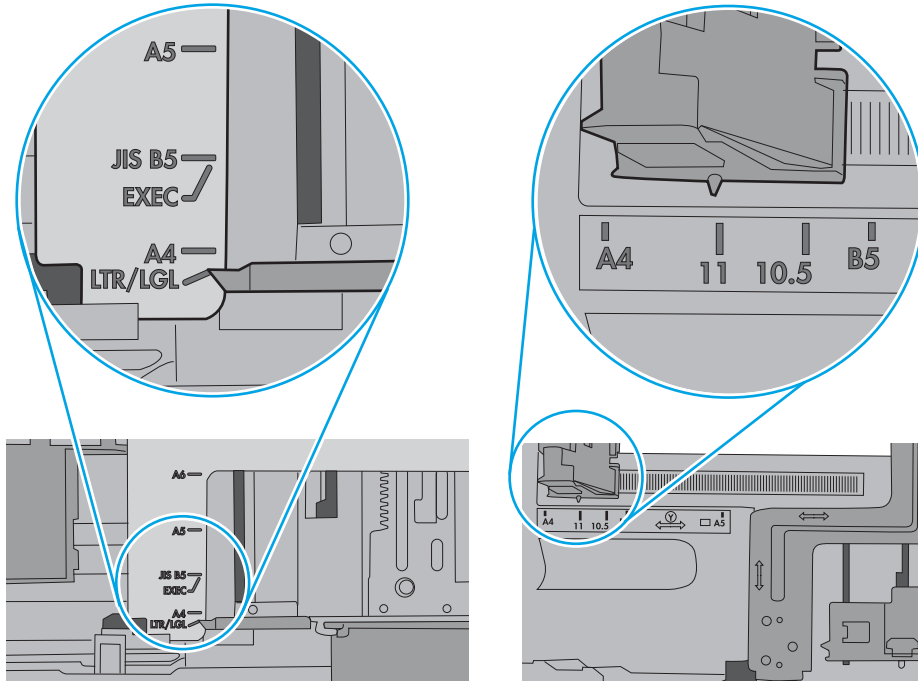
Media did not reach the Tray 5 feed sensor in the designated amount of time printing from Tray 5.

#### **Recommended action**

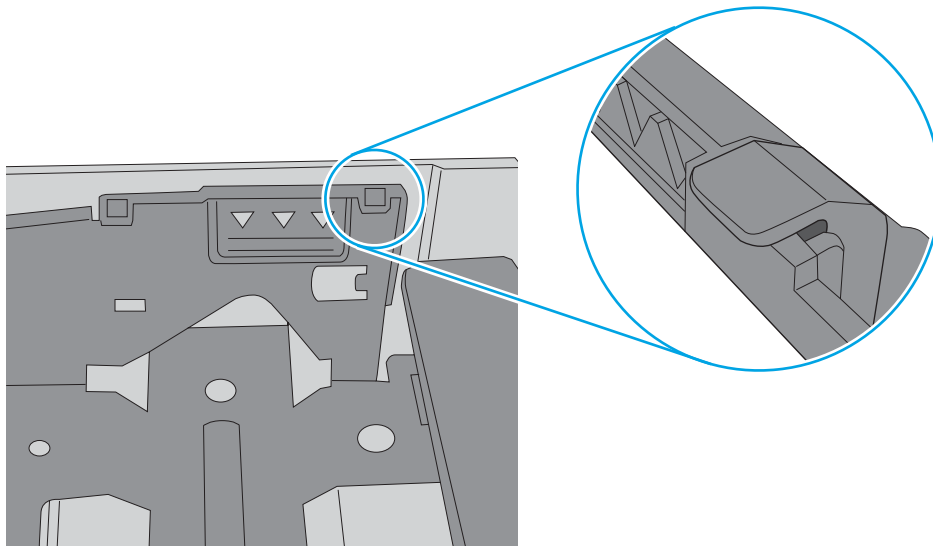
1. Open Tray X, remove any jammed paper, and then close the tray.
2. Open and close the upper right door to allow the printer to attempt to clear the jam.

3. Make sure that the tray width and length guides are set to the correct paper size being installed into the tray and that the tray is not over filled above fill mark and over the tab on the tray.

**Figure 2-77** Paper Tray guides



**Figure 2-78** Paper height guides



4. Make sure that the Tray X pickup, feed, and separation roller are installed correctly and show no damage or wear.
5. Clean or replace the pickup/feed rollers as needed.
6. If printer has multiple 550 sheet feeders swap feeder position and test.
7. Check the connectors at the sensor (J1904), feed motor (J1903), on the Paper Feeder controller PCA for Tray 5.
8. Open the following menus:

- **Administration**
  - **Troubleshooting**
  - **Diagnostic Tests**
9. Test SR21 using the Tray/Bin Manual sensor test to verify that the sensors are functioning correctly.
  10. Run the Tray X pickup/feed motor drive test to verify that the feed motor is functioning correctly (listen for the motor to activate). If it is not, replace the pickup assembly.
  11. If the error persists, replace the paper pickup assembly.

### 13.Ax.FF

#### Description

Residual Media Jam in Tray X.

This jam occurs when residual media is detected at the Tray X feed sensor (SR21).

- **13.A3.FF**  
Residual Media Jam in Tray 3
- **13.A4.FF**  
Residual Media Jam in Tray 4.
- **13.A5.FF**  
Residual Media Jam in Tray 5.

#### Recommended action

1. Open Tray X, remove any jammed paper, and then close the tray.
2. Open and close the upper right door to allow the printer to attempt to clear the jam.
3. Make sure that the Tray X pickup, feed, and separation roller are installed correctly and show no damage or wear.
4. Clean or replace the pickup/feed rollers as needed.
5. Check the connectors at the sensor (J1904), feed motor (1903), and the Paper Feeder controller PCA.
6. Open the following menus:
  - **Administration**
  - **Troubleshooting**
  - **Diagnostic Tests**
7. Test SR21 using the Tray/Bin Manual sensor test to verify that the sensors are functioning correctly.
8. Run the Tray X pickup/feed motor drive test to verify that the feed motor is functioning correctly (listen for the motor to activate). If it is not, replace the pickup assembly.
9. If the error persists, replace the paper pickup assembly.



## 13.B2.Az Jam in Right door

### Description

Media STAY jam in top cover at image area.

Paper present at SR6 after specified time limit passed

- **13.B2.A1**

This jam occurs when the media is present longer than "the expected media length plus 50mm" or more is detected at the Registration sensor (SR6) when printing from the Tray 1.

- **13.B2.A2**

This jam occurs when the media is present longer than" the expected media length plus 50mm" or more is detected at the Registration sensor (SR6) when printing from the Tray 2.

- **13.B2.A3**

This jam occurs when the media is present longer than "the expected media length plus 50mm" or more is detected at the Registration sensor (SR6) when printing from the Tray 3.

- **13.B2.A4**

This jam occurs when the media is present longer than "the expected media length plus 50mm" or more is detected at the Registration sensor (SR6) when printing from the Tray 4.

- **13.B2.AD**

This jam occurs when the media is present longer than "the expected media length plus 50mm" or more is detected at the Registration sensor (SR6) when printing from the Duplexer.

### Recommended action

1. Open upper right door and check for media jammed in feed area.
2. Test the top of page sensor (SR6) to ensure that it moves freely.
3. Check the ITB and T2 roller at transfer area, make sure everything is properly seated and there are no damaged parts.
4. Ensure the type and quality of the media that you are using meet HP specifications.
5. Open the following menus:
  - **Administration**
  - **Troubleshooting**
  - **Diagnostic Tests**
6. Test Registration Sensor Test (TOP sensor) (SR6) using the Tray/Bin manual sensor test to verify that the sensor is functioning correctly. If not replace the Registration assembly.
7. Test the Media Width sensors SR13 and SR14 if defective replace the Registration assembly.
8. If sensor functioning properly, run a few pages to check where the leading edge of the paper actually stops.

9. Test the registration assembly and check connectors J118 and J16 on the DC Controller.
10. If any test shows defective part replace the appropriate assembly.

### 13.B2.Dz Jam in Right Door

#### Description

Media delay jam in top cover at image area.

Paper did not reach SR6 in specified time.

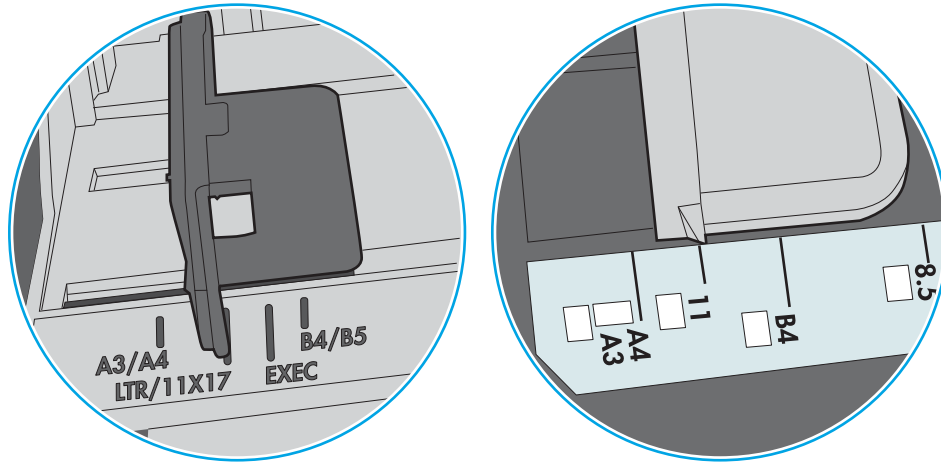
- **13.B2.D1**  
Media did not reach the Registration sensor in the designated amount of time printing from Tray 1.
- **13.B2.D2**  
Media did not reach the Registration sensor in the designated amount of time printing from Tray 2.
- **13.B2.D3**  
Media did not reach the Registration sensor in the designated amount of time printing from Tray 3.
- **13.B2.D4**  
Media did not reach the Registration sensor in the designated amount of time printing from Tray 4.
- **13.B2.DD**  
Media did not reach the Registration sensor in the designated amount of time printing duplexed.

#### Recommended action

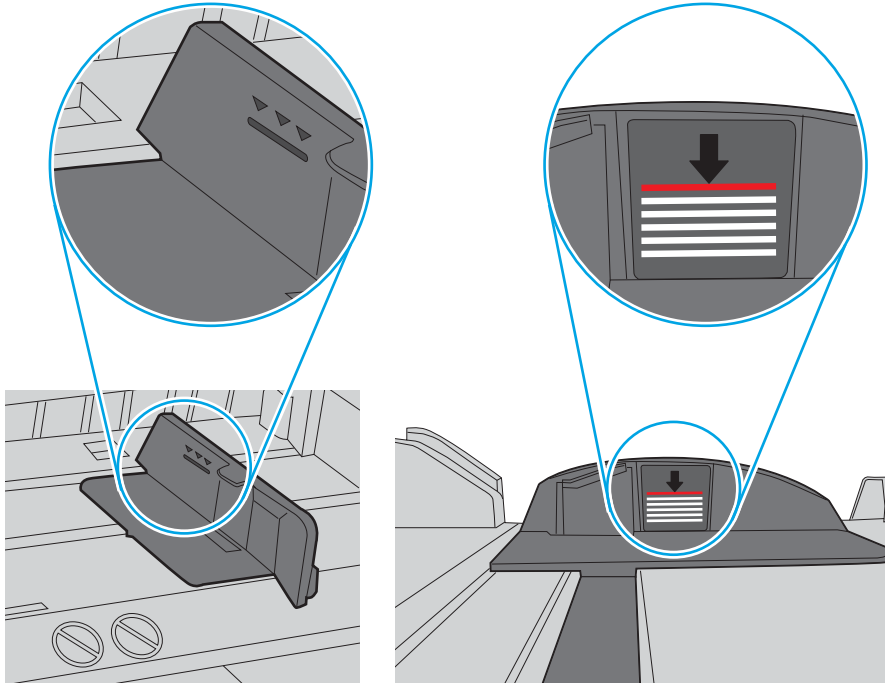
1. Open upper right door and check for media jammed in feed area.

2. For Tray 1, make sure that the tray width and length guides are set to the correct paper size being installed into the tray and that the tray is not over filled above fill mark and over the tab on the tray.

**Figure 2-79** Tray 1 Paper guides

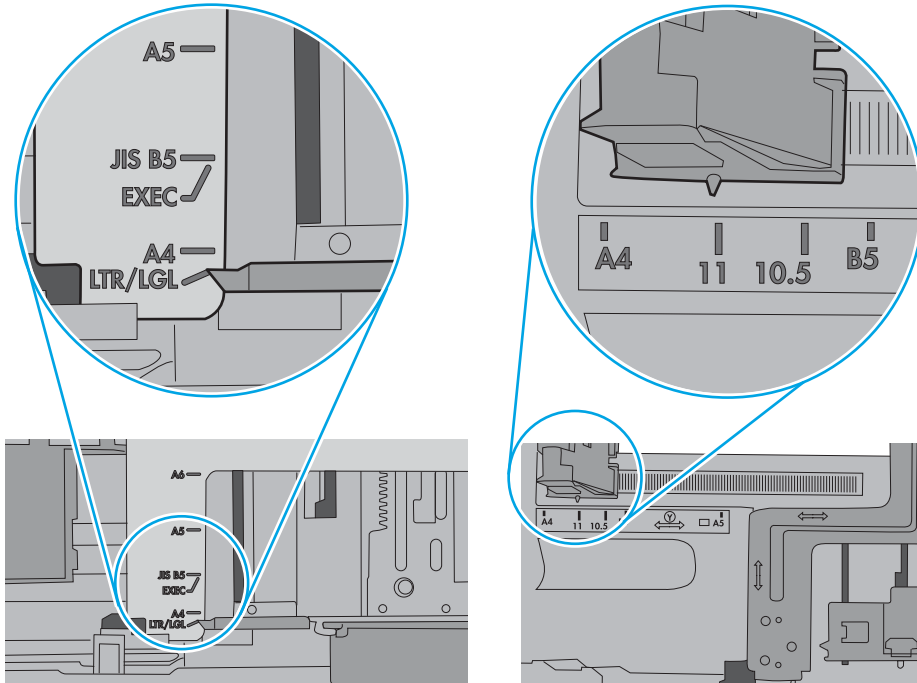


**Figure 2-80** Tray 1 Paper height guides

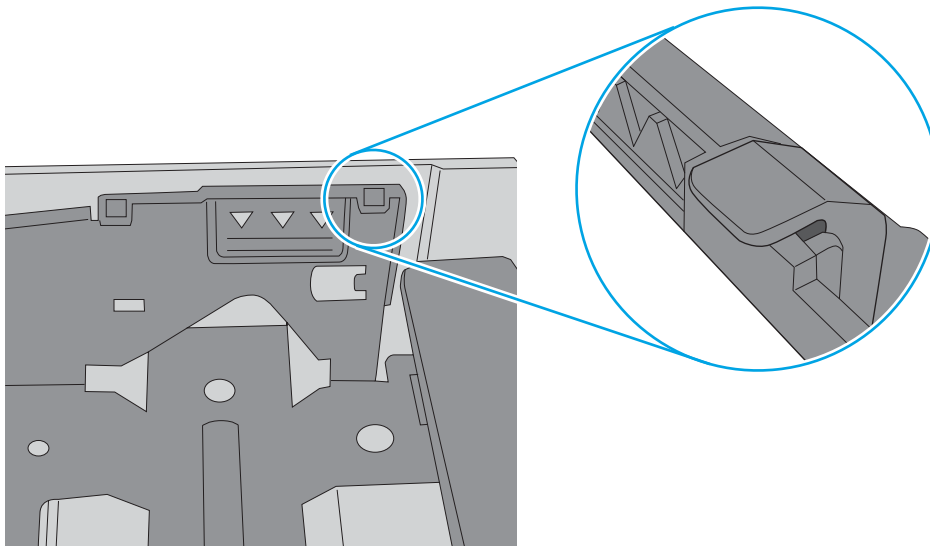


- For Tray 2, make sure that the tray width and length guides are set to the correct paper size being installed into the tray and that the tray is not over filled above fill mark and over the tab on the tray.

**Figure 2-81** Tray 2 Paper guides



**Figure 2-82** Tray 2 Paper height guides



- Check for worn out Tray Feed and Separation rollers, replace if found worn out.
- Test the top of page sensor (SR6) and the Media width sensors (SR13, SR14). If any of these sensors does not function correctly, replace the Registration assembly.
- Test the registration assembly and check connectors J118 and J16 on the DC controller.
- Replace parts as determined by tests.

### 13.B2.FF Jam in Right door

#### Description

Media residual jam in top cover at image area.

Paper present at SR6, SR13 or SR13 at power on or after clearing jam.

#### Recommended action

1. Open upper right door and check for media jammed in feed area.
2. Check under toner cartridge at transfer area, make sure everything is properly seated.
3. Test the top of page sensor (SR6) and the Media width sensors (SR13, SR14)

### 13.B4.FF Jam in Right Door

#### Description

Media residual jam at image area .

Paper present at Fuser Loop sensor PS1 or SR9 at power on or after clearing jam.

#### Recommended action

1. Open right cover and check for media jammed in feed area.
2. Check under toner cartridge at transfer area, make sure everything is properly seated.
3. Test the Fuser Loop sensor PS1 or SR9.

### 13.B9.Az Fuser jam

#### Description

Fuser delivery stay.

Media stay jam at fuser area.

Paper present at SR9 after specified time limit.

This jam code may be caused by;

An accordion jam at the fuser exit, something blocking the media before the output rollers. The output bin rollers not turning, there is very little distance from the fuser exit and the output bin.

A sticky fuser exit flag, if it stuck or even delayed momentarily in the activated position.

- **13.B9.A1**  
Multi-Feed jam is detected when printing from Tray 1.
- **13.B9.A2**  
Multi-Feed jam is detected when printing from Tray 2.
- **13.B9.A3**  
Multi-Feed jam is detected when printing from Tray 3.
- **13.B9.A4**


Multi-Feed jam is detected when printing from Tray 4.

- **13.B9.AD**

Multi-Feed jam is detected when printing from the Duplexer.

**Recommended action**

---

 **CAUTION:** Be careful the fuser is HOT, allow it cool if you need to remove debris from in and around the pressure heating components.

---

1. Open the upper right door and then clear any jammed paper.
2. Ensure sure that the paper meets HP printer specifications.
3. Check Fuser delivery sensor for proper functionality and movement.
4. verify there is no debris from a previous jam stuck in the fuser or rollers leading into or out of the fuser.
5. Confirm the output bin rollers are turning.
6. Remove the ITB and inspect it for damage and debris.
7. Perform Manuel Sensor Test and check SR9 Fuser delivery sensor. If found faulty then replace the Fuser assembly.
8. Perform Manuel Sensor Test and Replace the fuser assembly.
9. Replace the fuser.

### 13.B9.Bz Fuser jam

**Description**

Multi-feed jam in fuser.

This jam occurs when a near complete overlap (less than 5 to 15 mm of non-overlap) multi-feed jam is detected.

- **13.B9.B1**

Multi-Feed jam is detected when printing from Tray 1.

- **13.B9.B2**

Multi-Feed jam is detected when printing from Tray 2.

- **13.B9.B3**

Multi-Feed jam is detected when printing from Tray 3.

- **13.B9.B4**

Multi-Feed jam is detected when printing from Tray 4.

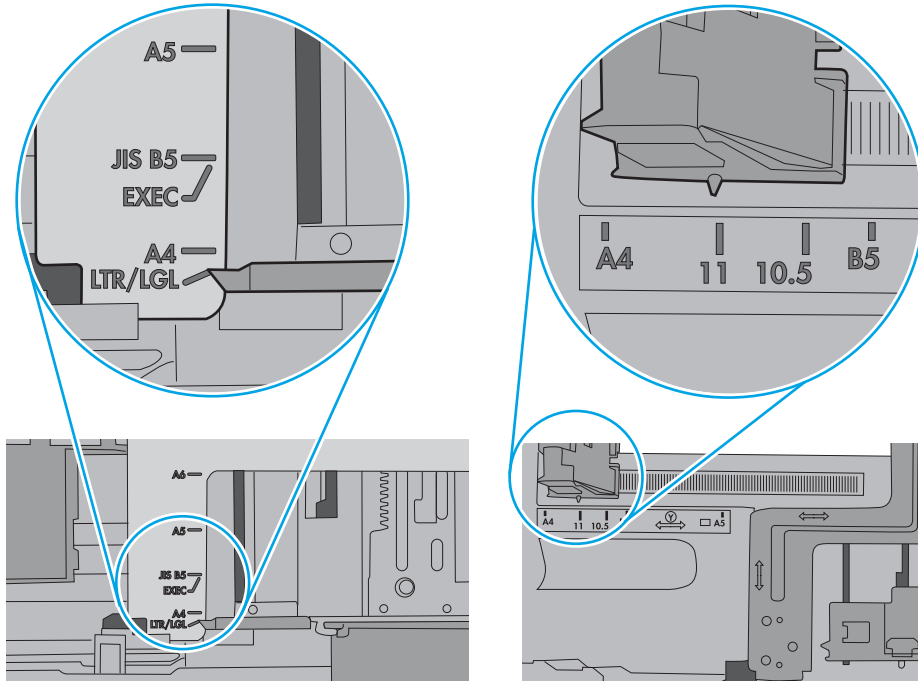
- **13.B9.BD**

Multi-Feed jam is detected when printing from the Duplexer.

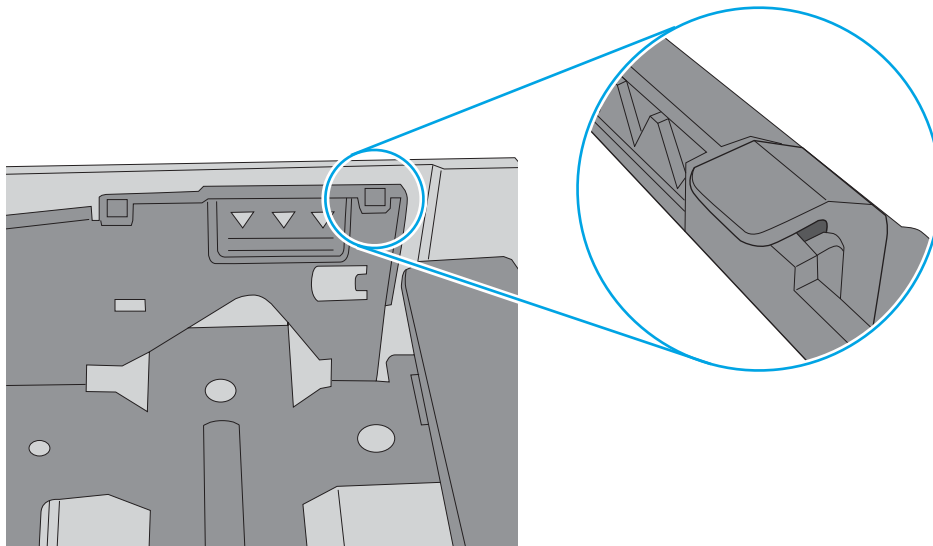
### Recommended action

1. Open the Right door and clear the jam in the indicated area.
2. Close the door to allow the printer to attempt to clear the jam.
3. Ensure sure that the paper meets HP printer specifications and is loaded in the trays correctly.
4. Make sure that the tray width and length guides are set to the correct paper size being installed into the tray and that the tray is not over filled above fill mark and over the tab on the tray.

**Figure 2-83** Paper Tray guides



**Figure 2-84** Paper height guides



5. Make sure that the pickup, feed, and separation roller for the specified tray are installed correctly and show no damage or wear.

6. Clean or replace the pickup/feed rollers as needed.
7. Check Fuser delivery sensor for proper functionality and movement.
8. Verify there is no debris from a previous jam stuck in the fuser or rollers leading into or out of the fuser.
9. Confirm the output bin rollers are turning.
10. Perform Manuel Sensor Test and check SR9 Fuser delivery sensor and PS1 fuser loop sensor. If found faulty then replace the Fuser assembly.
11. Perform Manuel Sensor Test and Replace the fuser assembly.

### 13.B9.Cz

#### Description

Fuser Wrap Jam.

This jam occurs when the media disappears from the fuser output sensor before a designated amount of time after the media reached the fuser output sensor (SR9).

(It is determined that the media is being wrapped around the fuser roller)

Z = Fuser mode

- **13.B9.C1 (event code)**  
Fuser wrap jam when **Auto Sense (Normal)**.
- **13.B9.C2 (event code)**  
Fuser wrap jam when **Normal**.
- **13.B9.C3 (event code)**  
Fuser wrap jam when **Light 1** or **Light 2** (see event log secondary jam information for specific code).
- **13.B9.C4 (event code)**  
Fuser wrap jam when **Heavy 1**.
- **13.B9.C5 (event code)**  
Fuser wrap jam when **Heavy 2**.
- **13.B9.C6 (event code)**  
Fuser wrap jam when **Heavy media 3**.
- **13.B9.C7 (event code)**  
Fuser wrap jam when **Glossy media 1**.
- **13.B9.C8 (event code)**  
Fuser wrap jam when **Glossy media 2**.
- **13.B9.C9 (event code)**  
Fuser wrap jam when **Glossy media 3**.



- **13.B9.CB (event code)**

Fuser wrap jam when **Transparency**.

- **13.B9.CC (event code)**

Fuser wrap jam when **Label**.


- **13.B9.CD (event code)**

Fuser wrap jam when **Envelope 1** or **Envelope 2** (see event log secondary jam information for specific code).

#### **Recommended action**

1. Open the upper right door and then clear any jammed paper.

---

 **CAUTION:** Be careful the fuser might be **HOT**, allow it cool if you need to remove debris from in and around the pressure heating components.

---

2. Ensure sure that the paper meets HP printer specifications.
3. Remove the fuser, and then remove any paper wrapped around the fuser roller.
4. Reinstall the fuser, and then close the door.
5. Print a cleaning page to make sure that all of the toner is removed from the fuser roller.
6. Use the manual sensor tests to toggle the fuser output sensor (SR9). If the sensor is not functioning correctly, replace the fuser assembly.
7. If the error persists, the fuser roller or pressure roller might be damaged. Replace the fuser.

### **13.B9.Dz**

#### **Description**

Fuser delivery delay jam

Media did not reach Fuser sensor SR9 specified time.

- **13.B9.D1**

Fuser delivery delay jam when printing from Tray 1.

- **13.B9.D2**

Fuser delivery delay jam when printing from Tray 2.

- **13.B9.D3**

Fuser delivery delay jam when printing from Tray 3.

- **13.B9.D4**

Fuser delivery delay jam when printing from Tray 4.

- **13.B9.DD**

Fuser delivery delay jam when printing with the Duplexer.

### Recommended action

The following are possible causes and areas that should be investigated.


- The paper jam is found wrapped around the fuser roller. In this case it is a sign of a worn out fuser.
  - The paper jam is found underneath the toner cartridge or in the transfer area. In this case it could be the drum drive or the white collar that holds the toner cartridge in position has broken.
  - Fuser drive or delivery issue.
1. Determine where the Jam is located.
  2. Open upper right door and check under the toner cartridge.
  3. Remove the fuser and check for media or obstructions.

### Media Stopped before Fuser

1. Thoroughly check the duplex paper path and the ITB/Transfer area for issues with rollers, jammed paper or any potential obstructions that might be causing the jam
2. Verify that the transfer roller is seated properly and not worn or deformed. Replaced it if necessary.
3. Inspect the Transfer feed assembly for debris or damage. Replace Right door sub Assembly.

### Media Stopped In or At the Fuser

---

 **CAUTION:** The fuser might be **HOT**.

---

1. Remove the Fuser and inspect Fuser sleeve, Pressure roller and delivery roller for blockage and/or damage. Replace Fuser as needed.
2. Verify that fuser inlet guide is not detached or broken
3. Open the following menus:
  - **Administration**
  - **Troubleshooting**
  - **Diagnostic Tests**
4. Test the Fuser Delivery sensor (SR9) using the manual sensor test to verify the sensor is functioning correctly. If it is not, replace the fuser.
5. Touch **Component Test**.
6. Run the Fuser motor drive test to verify that the Fuser Drive and Gears are functioning correctly. If they are not, replace the Fuser Motor Assembly.

### If media Did not Stop "IN FUSER" or at "Toner/Transfer Area.

1. Check paper path between transfer area and the fuser.
2. Inspect the small belts in the paper path between the Transfer Roller and the fuser for damage or movement issues. Replace if necessary.

3. Check if Belts are worn, dirty or damaged.
4. If media has stopped in this area and will not progress beyond feed-guide assembly CLEAN, Repair or Replace the feed-guide assembly.

### 13.B9.FF

#### Description


Residual Media jam Fuser Output Sensor

Paper present at SR9 after specified time limit or on power up.

#### Recommended action

1. Open the top and rear cover and clear the jam in the indicated area.
2. Close the covers to allow the printer to attempt to clear the jam.
3. Verify the media meets HP specification for the printer.
4. Remove the fuser and inspect the fuser sleeve, pressure roller, and delivery roller for blockage and/or damage. Replace the fuser as needed.

---

 **CAUTION:** The fuser might be **HOT**.

---

5. Open the following menus:
  - **Administration**
  - **Troubleshooting**
  - **Diagnostic Tests**
6. Test the Fuser Delivery sensor (SR9) using the manual sensor test to verify the sensor is functioning correctly. If it is not, replace the fuser.
7. Run the Fuser motor drive test to verify that the Fuser Drive and Gears are functioning correctly. If they are not, replace the Fuser Motor Assembly.

### 13.D3.Bz

#### Description

Multi-feed to duplex re-feed jam

- **13.D3.B1**  
The fuser is printing in fuser mode **Auto Sense** special case distinguished from "typed" Normal.
- **13.D3.B2**  
The fuser is printing in fuser mode **Normal**.
- **13.D3.B3**  
The fuser is printing in fuser mode **Light 1** or **Light 2** (see the event log secondary jam information digits for specific mode).
- **13.D3.B4**

The fuser is printing in fuser mode **Heavy 1**.

- **13.D3.B5**

The fuser is printing in fuser mode **Heavy 2**.

- **13.D3.B6**

The fuser is printing in fuser mode **Heavy media 3**.

- **13.D3.B7**

The fuser is printing in fuser mode **Glossy media 1**.

- **13.D3.B8**

The fuser is printing in fuser mode **Glossy media 2**.

- **13.D3.B9**

The fuser is printing in fuser mode **Glossy media 3**.

#### **Recommended action**

1. Make sure that customer is using HP Genuine cartridge and again test this printer with another working or new cartridge.
2. Perform the continuous test in simplex mode at least 50 pages to make sure that issue is occurring while printing duplex printing only.
3. Test duplexing from multiple trays to see if issue is TRAY specific or not.  
If jam occurs from specific tray Troubleshoot tray pick and feed issue.
4. Make sure Tray is set correctly. If Tray 1 is set to ANY size ANY Type set it to the size customer is trying to print on.
5. Remove the duplexer and clean the printer duplex path properly for any debris or dust.
6. Check and Clean the status charge eliminator properly. (Next to transfer roller).
7. Ensure all connections to duplex on the DC are properly seated.
8. If needed replace the Duplex unit and the Fusing assembly and test.

### **13.D3.Dz**

#### **Description**

Late to duplex re-feed jam.

- **13.D3.D1**

The fuser is printing in fuser mode **Auto Sense** special case distinguished from "typed" Normal.

- **13.D3.D2**

The fuser is printing in fuser mode **Normal**.

- **13.D3.D3**

- The fuser is printing in fuser mode **Light 1** or **Light 2** (see the event log secondary jam information digits for specific mode).
- **13.D3.D4**  
The fuser is printing in fuser mode **Heavy 1**.
  - **13.D3.D5**  
The fuser is printing in fuser mode **Heavy 2**.
  - **13.D3.D6**  
The fuser is printing in fuser mode **Heavy media 3**.
  - **13.D3.D7**  
The fuser is printing in fuser mode **Glossy media 1**.
  - **13.D3.D8**  
The fuser is printing in fuser mode **Glossy media 2**.
  - **13.D3.D9**  
The fuser is printing in fuser mode **Glossy media 3**.

**Recommended action**

1. Open the right door and clear all paper from jam area.
2. Perform the continuous test in simplex mode at least 50 pages to make sure that issue is occurring while printing duplex printing only.
3. Test duplexing from multiple trays to see if issue is TRAY specific or not.  
If jam occurs from specific tray troubleshoot tray pick and feed issue.
4. Make sure Tray is set correctly. If Tray 1 is set to ANY size ANY Type set it to the size customer is trying to print on.
5. Ensure all connections to duplex on the DC are properly seated.
6. If needed replace the Duplex unit and the Fusing assembly and test.

**13.E5.FF**

**Description**

A power on jam has occurred.

**Recommended action**

Check the printer for a jam. See the clear jams section in the service manual.

**13.EA.FF**

**Description**

A door jam has occurred.

**Recommended action**

Check the printer for a jam. See the clear jams section in the service manual.  
Use the component test to isolate a faulty door switch or sensor.

**13.EE.FF****Description**

A door jam has occurred.

**Recommended action**

Check the printer for a jam. See the clear jams section in the service manual.  
Use the Manual sensors test or Tray/Bin manual sensors test to isolate a faulty door switch or sensor.

**13.FF.EE****Description**

A power on jam has occurred.

**Recommended action**

Check the printer for a jam. See the clear jams section in the service manual.

**13.FF.FF****Description**

A power on residual paper jam has occurred.

This error has no specific sensor designated. It could be any sensor in the media feed path.

**Recommended action**

1. Check the printer for a jam.
2. Look for media present or obstructions in paper path.  
View event log to determine if other Jam errors are occurring and troubleshoot those errors.
3. Use the Manual sensors test or Tray/Bin manual sensors test to isolate a faulty door switch or sensor.
4. Replace parts as determined by Sensor tests or obstructions.

**20.XX.YZ Error Messages****20.00.00 Insufficient memory <device>****Description**

Event log message 20.00.00.

The printer does not have enough memory to print the page.

The printer received more data than can fit in the available memory. You might have tried to transfer too many macros, soft fonts, or complex graphics.

### Recommended action

Touch the **OK** button to print the transferred data. Some data might be lost. Reduce the page complexity or add printer memory.

### 21.00.00 Page Too Complex Event log error message 21.00.00.

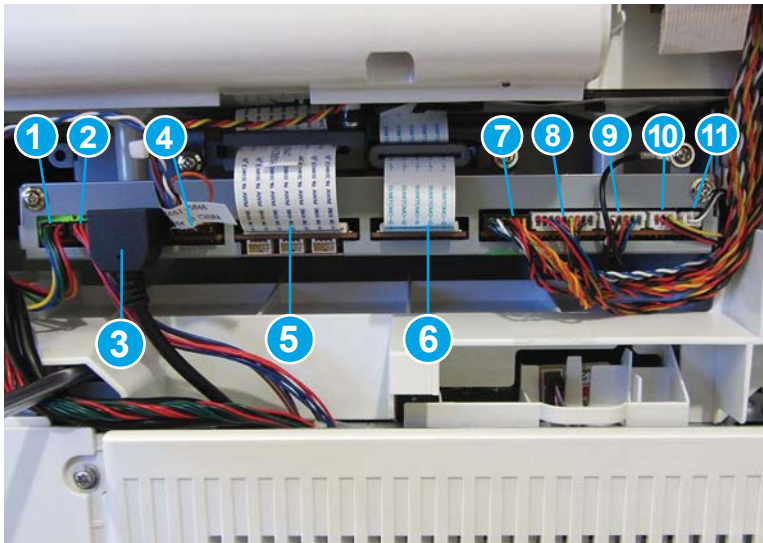
#### Description

The printer displays this message to indicate that the page decompression process was too slow for the printer.

#### Recommended action

Touch the **OK** button to continue. There may be some data loss on the page that was being formatted when the error occurred.

### 30.XX.YZ Error Messages



1	Stapler power
2	SCB Power (24v)
3	PAB to SCAM Communication (HDMI)
4	Flatbed sensors (ADF open and Flatbed media length_ and Cave LED)
5	Flatbed (S1) Flat flexible cable (Scanner data and flatbed motor)
6	ADF (S2) Flat flexible cable (Scanner data)
7	ADF Motors (Feed and Deskew)
8	ADF Sensors (Prescan, media present receiver and top hatch)
9	ADF Ultra sonic sensor receiver and deskew sensor
10	LTR/LGL (letter/legal) Input tray sensor
11	Ultra sonic sensor transmitter

### 30.01.01

#### Description

The flatbed cover sensor was interrupted.

The scanner flatbed cover is open.

Message appears only in the event log and is not posted on the control panel.

The control panel will read **Flatbed Cover Open**.

#### Recommended action

This error message should automatically clear.

If the error persists, open the scanner tests to test the flatbed cover sensor.

1. If the cover is closed, check the cover sensor at the center rear of the scanner for correct mechanical functionality, if sensor is not working, replace the flat bed scanner assembly. To test the sensor use the scanner sensor test in the [Administration / Troubleshooting / Diagnostics / Scanner Tests](#) Menu.
2. Check the connectors on the scanner control board (SCB) for loose connections.
3. Replace the scanner control board (SCB).

### 30.01.08 Home position error

#### Description

The scanner optic failed to return to the home position.

#### Recommended action

1. Turn the product off, and then on again.
2. Observe the movement of the optics assembly.
3. If the error persists, run the scanner motor test under component test. [Administration / Troubleshooting / Scanner tests / Flatbed motor test](#).
4. If issue still remains and firmware has been upgraded replace scanner control board (SCB).
5. If the error persists, replace the scanner sub assembly (SSA).



---

**NOTE:** Check all cables on SCB for proper connection and seating before replacing any parts

---

### 30.01.14 Scan system EEPROM error

#### Description

Scanner control board (SCB) EEPROM error.

#### Recommended action

1. Turn the product off, and then on again.
2. Make sure all connectors on the scanner control board (SCB) are seated fully.



3. Make sure the product has the latest scanner control board (SCB) firmware version.
4. Replace the scanner control board (SCB).

#### 30.01.15 Scanner error

##### **Description**

Scanner did not initialize (internal error).

The scanner failed to be initialized due to an internal error.

##### **Recommended action**

1. Turn the product off, and then on again.
2. Make sure that all covers are installed correctly and that the document feeder and document feeder jam cover are closed.
3. Check all sensors on the scanner to make sure they are not blocked.
4. Remove the rear cover of the scanner to see if the GREEN LEDs on the scanner control board (SCB) are illuminated.
5. Check all connections for scanner control board (SCB) to print engine.
6. Replace the scanner control board (SCB).
7. Replace SSA (scanner sub assembly)

#### 30.01.18 Scanner Error

##### **Description**

Scanner internal optical sensor error.

##### **Recommended action**

1. Turn the product off, and then on again.
2. Make sure that all the connectors on the scanner control board (SCB) are seated fully.
3. Make sure that the product has the latest scanner control board (SCB) firmware version.
4. Replace the scanner control board (SCB).
5. If the error persists, replace the image scanner assembly (SSA).

#### 30.01.19 Scanner lamp error

##### **Description**

Scanner internal lamp sensor error.

##### **Recommended action**

1. Turn the product off, and then on again.
2. Verify that the scanner lamp turns on and off approximately 12 seconds after the product is turned on.

3. Re-seat the interconnect cables between the SSA and the scanner control board (SCB). (The HDMI Cable)
4. Replace the image scanner assembly (SSA).

### 30.01.30 or 30.01.32

#### **Description**

HP image ASIC error.

#### **Recommended action**

1. Turn the product off, and then on again.
2. Check the connections on the scanner control board (SCB).
3. Replace the scanner control board (SCB).

### 30.01.36 Upgrade Error try downloading upgrade again

#### **Description**

Scanner firmware upgrade error.

#### **Recommended action**

1. Re-send the printer firmware upgrade.
2. If the error persists, replace the scanner control board (SCB).

### 30.01.41 Scanner error

#### **Description**

The formatter lost connections with the scanner control board (SCB) or communication was corrupted.

#### **Recommended action**

1. Turn the product off, and then on.
2. Upgrade the firmware.
3. Verify that all cables are connected to the product formatter, and scanner control board (SCB).
4. Verify that the scanner control board (SCB) has power.
5. Replace the scanner control board (SCB).
6. Replace the formatter.

### 30.01.42 Scanner error

#### **Description**

Internal product communication error.

#### **Recommended action**

1. Turn the product off, and then on again.
2. If the error persists, turn the product off, and then check the scanner control board (SCB) connectors.

3. If this error occurs after a formatter, fax card or hard disk has been replaced, check that the formatter connectivity LED (smile face icon on the formatter) is illuminated. Check the fax card for proper seating on the formatter. (If fax card is not properly seated it can prevent the formatter from seating properly in the product..)
4. If the error persists, replace the scanner control board (SCB).
5. If error persists, replace the formatter.

#### 30.01.43 Scanner memory failure

##### **Description**

Scan memory error.

##### **Recommended action**

1. Turn the product off, and then on again.
2. If the error persists, turn the product off, and then re-seat the formatter.
3. If the error persists, replace the formatter.

#### 30.01.44

##### **Description**

Scanner control board (SCB) communication error.

##### **Recommended action**

1. Turn the product off, and then on again.
2. If the error persists, turn the product off, and then check the scanner cable.
3. Upgrade the firmware.
4. If the error persists, turn the product off, and then re-seat the formatter.
5. If the error persists, replace the scanner control board (SCB) or the formatter.
6. If error persists, replace the formatter.

#### 30.01.46 Scanner Error

##### **Description**

The Scanner firmware error.

##### **Recommended action**

1. Turn the product off, and then on again.
2. If the error persists, turn the product off, and then check all cables on the formatter and SCB for proper connection and seating.
3. If the error persists, replace the scanner control board (SCB).

### 30.01.48 Scanner error

#### **Description**

Scanner error.

Scanner power is not connected.

#### **Recommended action**

1. Turn the product off, and then on again.
2. If the error persists, turn the product off, and then check the scanner wire-harness connectors for proper connection and seating. Also check the formatter to SCB cable.
3. If the error persists, replace image scanner assembly.

### 30.01.50 Scanner error

#### **Description**

Internal scanner control board (SCB) error.

#### **Recommended action**

1. Turn the product off, and then on again.
2. Upgrade the firmware.
3. If the error persists, replace the scanner control board (SCB).

### 30.03.14

#### **Description**

A non-fatal error has occurred.

A scanner EEPROM (NVM) error has occurred.

#### **Recommended action**

This is an informational message, and no action is required.

### 30.03.20

#### **Description**

The firmware cannot communicate with the PCA on the assembly.

#### **Recommended action**

1. Turn the product off, and then on again.
2. Verify that the FFCs between scanner and the scanner control board (SCB) are connected.
3. Check to see if there is power to the SCB (green led lights). If no power, check the SCB and DC controller (J108) and LVPS connector. If connectors are properly connected and no power to SCB, replace SCB.
4. Replace the scanner sub assembly.

### 30.03.22 Scanner failure

#### Description

Front side illumination calibration failure.

The scan module cannot see the illumination module, or marginal illumination.

The optical assembly may not be parked under the calibration strip.

#### Recommended action

1. Turn the product off, and then on again.
2. Clean the glass for both the ADF (top of cover and on glass) and clean white strip.
3. Upgrade the firmware.
4. Check the event log for other scanner errors, and then resolve those errors.
5. Check the scan module FFC connection.
6. Replace the scanner sub assembly.

### 30.03.23 Scanner failure

#### Description

Calibration error.

#### Recommended action

1. Turn the product off, and then on again.
2. Upgrade the firmware.
3. Replace the scanner sub assembly.

### 30.03.30 Scanner Failure

#### Description

Flatbed motor shutdown.

The scanner control board (SCB) cannot communicate with the flatbed scanner motor.

#### Recommended action

1. Turn the product off, and then on again. As the product turns on, verify that the scan head moves.
2. Verify that the drive belt is in the correct position.
3. Run diagnostics on the flatbed scanner to see if the scan bar moves.  
(For this test, run the continuous scan from the scanner test menu)
4. Check the cable connection to the scanner control board (SCB).
5. Replace the image scanner assembly.

### 30.03.45 Scanner Error To continue turn off then on

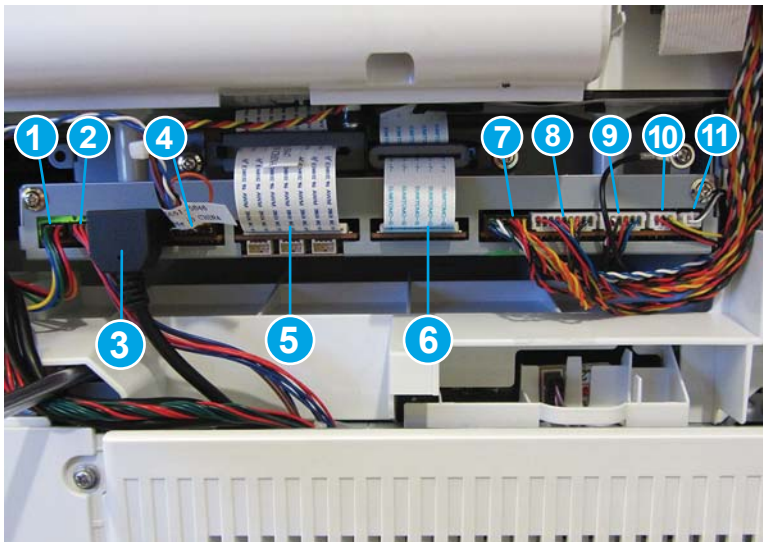
#### Description

Scanner control board (SCB) firmware assertion failure. SCB firmware assert controls the scan head motor.

#### Recommended action

1. Turn the product off, and then on again.
2. Upgrade the firmware.
3. Replace the scanner control board (SCB).
4. Replace the image scanner assembly.

### 31.XX.YZ Error Messages



1	Stapler power
2	SCB Power (24v)
3	PAB to SCAM Communication (HDMI)
4	Flatbed sensors (ADF open and Flatbed media length_ and Cave LED)
5	Flatbed (S1) Flat flexible cable (Scanner data and flatbed motor)
6	ADF (S2) Flat flexible cable (Scanner data)
7	ADF Motors (Feed and Deskew)
8	ADF Sensors (Prescan, media present receiver and top hatch)
9	ADF Ultra sonic sensor receiver and deskew sensor
10	LTR/LGL (letter/legal) Input tray sensor
11	Ultra sonic sensor transmitter

### 31.01.47 Document feeder not detected

#### Description

The document feeder was not detected, the document feeder might not be connected. The flatbed glass is still available for scanning.

#### Recommended action

1. Turn the product off and then on.
2. If error persists, replace document feeder.



**NOTE:** Before replacing the document feeder, technicians should verify that the connections between the document feeder and the product are fully seated. The following connections: 6 — ADF (side 2) FFC, 7 — ADF Motors (feed and deskew), 8 — ADF Sensors (pre-scan, media presence and top hatch), 9 — ADF Ultra sonic sensor receiver and deskew sensor)

### 31.03.14

#### Description

Backside scanner EEPROM (NVM) error.

A non-fatal error has occurred.

#### Recommended action

No action required.

### 31.03.20 backside scanner not detected

#### Description

Backside scanner not detected.

#### Recommended action

1. Turn the product off, and then on.
2. Verify the cables between scanner and scanner control board (SCB) are connected.(connection 6 — ADF (side 2) FFC)
3. Replace the document feeder assembly.

### 31.03.22 Scanner calibration failure

#### Description

Backside illumination calibration failure.

#### Recommended action

1. Turn the product off, and then on.
2. Upgrade the firmware.
3. Verify the cables between scanner and scanner control board (SCB) are connected.
4. Replace the document feeder assembly.

### 31.03.30 Document feeder pick motor error

#### Description

The document feeder pick motor is not turning.

#### Recommended action

1. Verify that the paper meets the product specifications.
2. Make sure that the input tray is not overloaded and the tray guides are properly aligned to both edges of the paper.
3. Check the event log for document feeder errors, and then resolve any errors first.
4. Open and close the top cover to see if the pick motor turns without posting this error. If the motor turns, then the motor is good.
5. Verify that the motor cables are connected. 7 — ADF Motor feed and deskew.
6. Re-seat the document feeder connections to the scanner control board (SCB).
7. Replace the document feeder.

### 31.03.31 Document feeder motor stall

#### Description

The document feeder feed motor is not turning.

#### Recommended action

1. Verify that the paper meets the product specifications.
2. Make sure that the input tray is not overloaded and the tray guides are properly aligned to both edges of the paper.
3. Check the event log for document feeder errors, and then resolve those errors first.
4. Verify that the motor cables are connected. 7 — ADF Motor feed and deskew.
5. Re-seat the document feeder connections to the scanner control board (SCB).
6. Replace the document feeder assembly.

### 31.03.32

#### Description

The document feeder de-skew motor is not turning.

#### Recommended action

1. Verify that the paper meets the product specifications.
2. Make sure that the input tray is not overloaded.
3. Check the event log for document feeder errors, and then resolve any errors first.
4. Verify that the motor cables are connected. (7 — ADF feed and deskew motor)



5. Re-seat the document feeder connections to scanner control board (SCB) cables.
6. Replace the document feeder assembly.

### 31.03.33 Backside scanner calibration area dirty

#### Description

The white area used for backside scanner calibration is dirty.

#### Recommended action

1. Clean white strip on platen glass (side 2 glass).
2. Clean the scanner glass.
3. If issue remains replace the document feeder assembly.

### 31.03.34 Background missing

#### Description

The removable white backing for the backside scanner is either missing or not fully snapped into place.

#### Recommended action

1. Remove the white backing and clean it.
2. Clean the backside scanner glass.
3. If issue remains replace the document feeder assembly.

No action necessary.

### 31.13.00 Document feeder multi-pick error

#### Description

A multiple pick error was reported by the document feeder assembly.

#### Recommended action

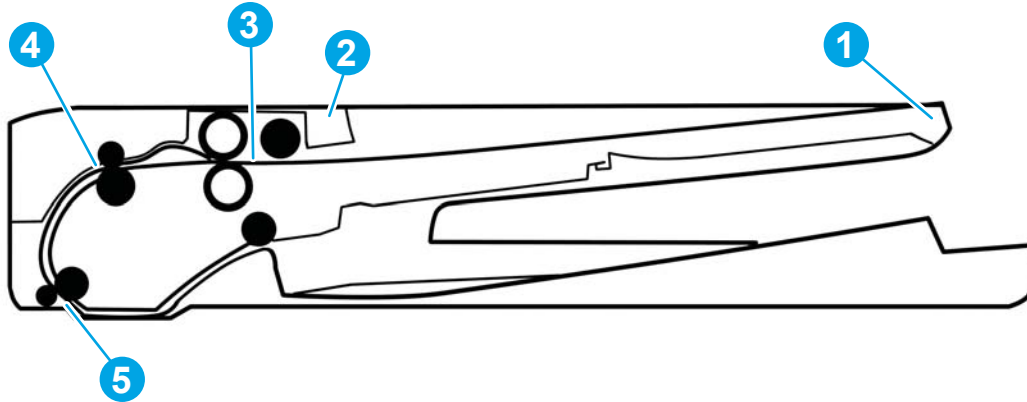
1. Open the document feeder cover, pull all the sheets back into the tray and then resume the job.
2. Verify that the paper meets the product specifications.
3. Make sure that the input tray is not overloaded and the tray guides are properly aligned to both edges of the paper.
4. Check and clean the rollers and separation pad, and test the registration sensor. If needed, replace pickup roller assembly, separation pad.
5. Verify connectors from ADF to SCB are properly connected and seated.
6. Re-seat the document feeder connections to the scanner control board (SCB).
7. Replace the document feeder.

### 31.13.01

#### Description

document feeder job error, pick error.

Paper pick was initiated, but the page didn't make it to the pick success sensor.



Sensor location 4

#### Recommended action

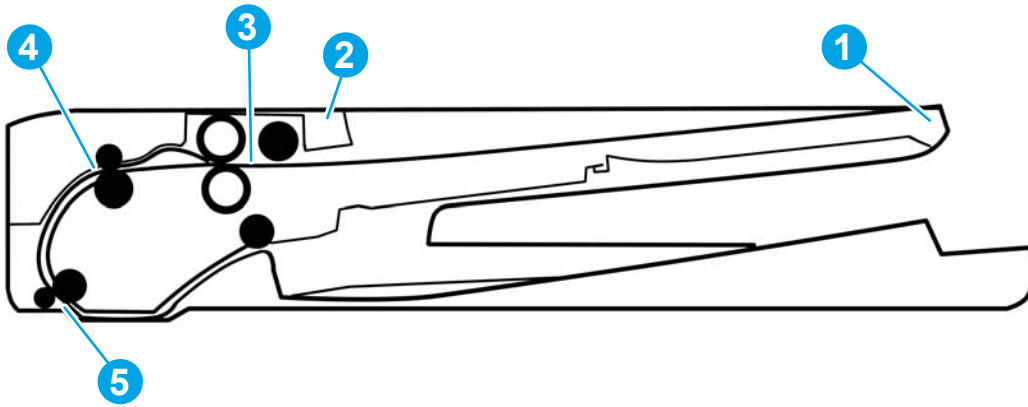
1. Open the document feeder lid, pull sheets back into input tray, and then resume the job.
2. Check the paper guides and make sure that they are set to the correct paper width.
3. Make sure that the input tray is not overloaded and the tray guides are properly aligned to both edges of the paper.
4. Check the document feeder page count for roller life.
5. Verify that the paper meets the product specifications.
6. Clean the document feeder pick and feeder rollers and clean separation pad, if worn or damage replace roller kit.
7. Open the following menus:
  - [Administration](#)
  - [Troubleshooting](#)
  - [Diagnostic Tests](#)
  - [Scanner Tests](#)
8. Actuate the pick-success sensor. If the sensor does not show functionality when tested, replace the document feeder.

### 31.13.02

#### Description

Document feeder job error, feed jam.

The paper passed the pick success sensor, and then jammed in the document feeder paper path.



Between sensor location 4 and 5

**Recommended action**

1. Clear the paper path and try feeding the page again.
2. Verify that the paper meets the product specifications.
3. Check the paper guides and make sure that they are set to the correct paper width.
4. Verify that the paper path is clear.
5. Clean the document feeder pick and feeder rollers and clean Separation pad. If worn or damage replace roller kit.
6. Open the following menus:
  - [Administration](#)
  - [Troubleshooting](#)
  - [Diagnostic Tests](#)
  - [Scanner Tests](#)
7. Actuate the pick-success sensor. If the sensor does not show functionality when tested, replace the document feeder.

**31.13.13**

**Description**

The document feeder jam access door is open.

**Recommended action**

1. Verify that the jam access cover is closed.

2. Verify that the flag is not broken off. Open and close jam cover and if sensor status does not change then replace the ADF.



3. Open the following menus:
  - Administration
  - Troubleshooting
  - Diagnostic Tests
  - Scanner Tests
4. Actuate the pick-success sensor. If the sensor does not show functionality when tested, verify connectors (9) Ultra sonic sensor.  
  
If sensor still fails, replace the document feeder.

#### 31.13.14

##### **Description**

Document feeder job error: over current.

This is a feed jam in the document feeder, and the motor is not turning.

##### **Recommended action**

1. Verify that the paper meets the product specifications.
2. Make sure that the document feeder input tray is not overloaded.
3. Check the event log for document feeder errors, and then resolve those errors first.
4. Open and close the top cover to see if the pick motor turns without posting this error. If there is no error, then the motor is good.
5. Verify that the motor cables are connected. (Connector 7 — ADF Motors)

6. Re-seat the document feeder to the scanner control board (SCB).
7. Replace the document feeder.

### 32.XX.YX and 33.XX.YZ Error Messages

#### 32.08.A1, 32.08.A2, 32.08.A3

##### **Description**

##### **32.08.A1** (event code)

Shutdown event-boot after abnormal shutdown.

##### **32.08.A2** (event code)

Boot from normal shutdown event.

##### **32.08.A3** (event code)

Regular boot event.

##### **Recommended action**

No action necessary.

#### 32.1C.XX

##### **Description**

##### **32.1C.05** (event code)

The restore job ticket was submitted with invalid credentials.

##### **32.1C.06** (event code)

The backup job ticket was submitted with invalid credentials.

##### **32.1C.07** (event code)

Backup restore permissions error.

There was an error during the creation, read, or write of the restore file.

##### **32.1C.08** (event code)

Not enough disk space to perform backup/restore or network share issue.

There was an error during the creation, read, or write of the backup file.

##### **32.1C.09** (event code)

Tried to restore a backup file that was not valid for this product.

The data in the backup file specified in the restore job ticket is no longer valid due to a corruption of the data or no longer present.

##### **32.1C.0A** (event code)

Backup file is invalid

The data in the backup file specified in the restore job ticket is no longer valid due to a corruption of the data or no longer present.

**32.1C.0D** (event code)

Backup/restore failed, auto-reboot failed, or the product might be busy.

**32.1C.11** (event code)

Backup/restore timeout while communicating with the engine.

The backup was aborted because the product is busy.

**32.1C.13** (event code) and **32.1C.14** (event code)

Not enough space exists to perform the backup.

The backup was aborted because the disk is at a critical level or full.

Scheduled backup failure.

**32.1C.15** (event code)

Restore aborted because the backup file was created by a previous version of firmware no longer supported by the feature.

**32.1C.2E** (event code)

The restore was aborted because the product is busy.

**32.1C.2F** (event code)

Reset failure.

**32.1C.40** (event code)

The backup operation completed successfully (informational).

**32.1C.41** (event code)

The backup operation encountered an error (informational).

**32.1C.42** (event code)

The backup operation completed, but with a warning message (informational).

**32.1C.43** (event code)

A component in the backup file is not supported by the current version of firmware and will not be restored (informational).

**32.1C.44** (event code)

A component in the backup file is not transferable to another product and will not be restored (informational).

**32.1C.45** (event code)

Some data was not included in the backup file (informational).

**32.1C.46** (event code)

An expected component could not be found and was thus not backed up. Because components should be known on backups, this code is a warning (informational).

[32.1C.47](#) (event code)

Some data was not restored from the backup file (informational).

[32.1C.48](#) (event code)

The backup job ticket was submitted using an invalid network path.

[32.1C.49](#) (event code)

The backup job ticket was submitted with a bad encryption.

[32.1C.4A](#) (event code)

An error occurred when creating the temporary directories used to store the backup files in transition to and from the compressed (ZIP) file.

[32.1C.56](#) (event code)

Reset aborted. Backup/restore in progress (informational).

[32.1C.57](#) (event code)

Reset aborted (informational).

[32.1C.58](#) (event code)

Unknown reset error (informational).

[32.1C.60](#) (event code)

The restore operation completed successfully (informational).

[32.1C.61](#) (event code)

The restore operation encountered an error.

[32.1C.62](#) (event code)

The restore operation completed, but with a warning message.

[32.1C.68](#) (event code)

The restore job ticket was submitted using an invalid network path.

[32.1C.69](#) (event code)

The restore job ticket was submitted with a bad encryption personal identification number (PIN).

[32.1C.6A](#) (event code)

An error occurred when creating the temporary directories used to store the restore files in transition to and from the compressed (ZIP) file.

[32.1C.6D](#) (event code)

An unusual error occurred when running the restore.

**Recommended action**

**32.1C.05** (event code)

Verify the credentials that were submitted. Check the domain, user name, and password.

**32.1C.06** (event code)

Verify the credentials that were submitted. Check the domain, user name, and password.

**32.1C.07** (event code)

Retry the job.

**32.1C.08** (event code)

- Retry the job.
- Remove stored jobs and retry.
- Use a larger capacity storage device.
- Check the network share.

Remove any stored jobs, and then retry.

If the error persists, try using a larger capacity storage device and check the network share settings.

**32.1C.09** (event code)

Use a valid backup file.

**32.1C.0A** (event code)

Use a valid backup file.

Reboot, and then observe the state of the product.

If the error persists, perform a partition clean from the **Preboot** menu.

**32.1C.0D** (event code)

Reboot, and then retry the backup/restore.

**32.1C.11** (event code)

Wait until the product is idle, and then try again.

**32.1C.13** (event code) and **32.1C.14** (event code)

Free up disk space, and then try again.

**32.1C.15** (event code)

- Use the current backup file.

**32.1C.2E** (event code)

Wait until the product is idle, and then try again.

Turn the product off then on, and then retry.



**32.1C.2F** (event code)

Turn the product off then on, and then retry.

**32.1C.40** (event code)

No action necessary.

**32.1C.41** (event code)

No action necessary.

**32.1C.42** (event code)

No action necessary.

**32.1C.43** (event code)

No action necessary.

**32.1C.44** (event code)

No action necessary.

**32.1C.45** (event code)

No action necessary.

**32.1C.46** (event code)

No action necessary.

**32.1C.47** (event code)

No action necessary.

**32.1C.48** (event code)

Check that a share was provided as part of the network path (not blank).

Check that the server and the share exists.

Check that the user has permission to access the share on the provided server.

**32.1C.49** (event code)

Verify that the encryption personal identification number (PIN) meets the restrictions for the product.

**32.1C.4A** (event code)

Retry the job.

If this does not resolve the issue, turn the product off then on again and retry the job.

If the error persists, perform a **Partial Clean** using the **Preboot** menu.

**32.1C.56** (event code)

No action necessary.

**32.1C.57** (event code)

No action necessary.

[32.1C.58](#) (event code)

No action necessary.

[32.1C.60](#) (event code)

No action necessary.

[32.1C.61](#) (event code)

Review the error log to see specific details about the failure.

[32.1C.62](#) (event code)

Review the error log to see specific details about the failure.

[32.1C.68](#) (event code)

Check that a share was provided as part of the network path (not blank).

Check that the server and the share exist.

Check that the user has permission to access the share on the provided server.

Check that the path includes the compressed (ZIP) file name as part of the path.

[32.1C.69](#) (event code)

Verify the encryption personal identification number (PIN) is the same PIN used to encrypt the backup file.

[32.1C.6A](#) (event code)

Retry the job.

[32.1C.6D](#) (event code)

Retry the job.

## **33.01.XX**

### **Description**

- **33.01.01** (event code)  
A restore process has occurred.
- **33.01.02** (event code)  
A save process has occurred.
- **33.01.03** (event code)  
Save recover functionality OK after previously being disabled.

### **Recommended action**

No action necessary.

### 33.02.01 Used board/disk installed

#### Description

Used board disk installed.

An encrypted board or disk with existing data previously locked to a different product has replaced the original. If you continue, data is permanently lost.

#### Recommended action

1. Reinstall the used board or disk back into its original product.
2. To save the data on the board or disk, turn the product off. replace the board or disk with another board or disk.
3. To delete the data on the board or disk and continue, touch the **OK** button.

### 33.03.03 Incompatible formatter installed.

#### Description

This is and EFI BIOS event to prevent booting with the wrong formatter installed.

#### Recommended action

Turn the product off, and then install the correct formatter in the product.



**NOTE:** If it is believed that this formatter is the correct part number and model for this product, install a replacement formatter, and then return the formatter in question to HP for evaluation.

### 33.03.XX

#### Description

- **33.02.01** (event code)  
Save recover engine storage ID unexpected length.
- **33.03.02** (event code)  
Data size mismatch unable to recover DCC MVRAM.

#### Recommended action

Turn the product off, and then on again.

If the error persists, replace the image control board (ICB) and return to HP for evaluation.

### 33.05.21 Memory Anomaly Detected

#### Description

The system has encountered memory corruption.

#### Recommended action

1. Turn the product off, and then on again.
2. If possible, collect FW triage data and send it to the GBU for analysis.

3. Perform a “Partial Clean”.
4. If the issue remains, perform a “Erase and Unlock” and the reinstall the Firmware.
5. If issue remains replace the formatter.

### 33.05.22 Device Monitor Fault

#### Description

The device has lost the ability to scan for anomalies in memory.

#### Recommended action

1. Turn the product off, and then on again.
2. If possible, collect FW triage data and send it to the GBU for analysis.
3. Perform a “Partial Clean”.
4. If the issue remains, perform a “Erase and Unlock” and the reinstall the Firmware.
5. If issue remains replace the formatter.

### 33.05.23 Driver not initialized

#### Description

The system has encountered driver issue.

#### Recommended action

1. Turn the product off, and then on again.
2. If possible, collect FW triage data and send it to the GBU for analysis.
3. Perform a “Partial Clean”.
4. If the issue remains, perform a “Erase and Unlock” and the reinstall the Firmware.
5. If issue remains replace the formatter.

### 33.05.24 Could not open driver

#### Description

The system has encountered driver issue.

#### Recommended action

1. Turn the product off, and then on again.
2. If possible, collect FW triage data and send it to the GBU for analysis.
3. Perform a “Partial Clean”.
4. If the issue remains, perform a “Erase and Unlock” and the reinstall the Firmware.
5. If issue remains replace the formatter.

## 40.XX.YZ Error Messages

### 40.00.01 USB I/O buffer overflow To continue, touch “OK”

#### Description

The USB buffer has overflowed.

#### Recommended action

1. Touch the **OK** button to print the transferred data (some data might be lost).
2. Check the host configuration.

### 40.00.02 Embedded I/O buffer overflow To continue, touch “OK”

#### Description

The product has experienced a JetDirect buffer overflow.

#### Recommended action

1. Touch the **OK** button to print the transferred data (some data might be lost).
2. Check the host configuration.

### 40.00.03 EIO <X> buffer overflow To continue, touch “OK”

#### Description

Too much data was sent to the EIO card in the specified slot (x). An incorrect communications protocol might be in use.

#### Recommended action

Touch the **OK** button to print the transferred data (some data might be lost).

### 40.00.04 EIO <X> bad transmission To continue, touch “OK”

#### Description

The connection between the product and the USB device has been broken.

#### Recommended action

1. Touch the **OK** button to clear the error message and continue printing.
2. Remove, and then reinstall the USB device.

### 40.00.05 Embedded I/O bad transmission To continue, touch “OK”

#### Description

The USB device has been removed.

#### Recommended action

1. Touch the **OK** button to clear the error message (data will be lost).
2. Install the USB device.

#### 40.08.0X USB storage accessory removed

##### **Description**

X = 0 or ;1 information code.

Secure file erase is enabled.

##### **Recommended action**

No action necessary.

#### 40.0X.05 USB storage accessory removed

##### **Description**

X = 1, 2, 3, 5, or 6; information code.

The USB storage accessory was removed.

##### **Recommended action**

No action necessary.

#### 40.80.04 Failed to read NVRAM

##### **Description**

Cannot read contract-requested value from NVRAM

Either the value was not populated or NVRAM was unreadable

##### **Recommended action**

Turn printer off then back on.

#### 41.XX.YZ Error Messages

##### 41.01.YZ

##### **Description**

Event log error message: 41.01.YZ.

An unknown misprint error occurred on the printer.

Y = Type, Z = Tray

- Y = 0: Photo Media (1, 2, or 3)
- Y = 1: Auto Sense (Normal)
- Y = 2: Normal (typed not from Auto Sense)
- Y = 3: Light media 1, 2, or 3 mode
- Y = 4: Heavy media 1
- Y = 5: Heavy media 2
- Y = 6: Heavy media 3

- Y = 7: Glossy media 1
- Y = 8: Glossy media 2
- Y = 9: Glossy media 3
- Y = A: Glossy film
- Y = B: OHT
- Y = C: Label
- Y = D: Envelope 1, 2, or 3 mode
- Y = E: Rough
- Y = F: Other mode
- Z = 0: From unknown tray
- Z = 1: From Tray 1
- Z = 2: From Tray 2
- Z = 3: From Tray 3
- Z = 4: From Tray 4
- Z = 5: From Tray 5
- Z = 6: From Tray 6
- Z = 7: From Tray 7
- Z = 8: From Tray 8
- Z = 9: From Tray 9
- Z = D: From duplex

**Recommended action**

1. Touch **OK** to clear the error.
2. If the error is not cleared, Turn the printer off, and then on again.
3. If the error returns, check the wire harness from the laser scanner to the DC controller.
4. If the error persists, replace the laser/scanner assembly.
5. Replace the DC controller.

**41.02.00 Error**

**Description**

A beam detected misprint error occurred.

### Recommended action

1. To clear the error message, touch **OK**.
2. If the error persists, turn the printer off, and then on again.
3. If the error returns, check the wire harness from the laser/scanners to the DC controller.
4. Check the following connectors on DC controller J126 and J127.
5. If the error persists, replace the laser/scanner assembly.

### 41.03.FZ Unknown Misprint Error

#### Description

This is a general misprint error. Either media is loaded off-center with the side guides in the tray or a media width sensor failure occurred from an unknown tray. The error will be one of the following:

- **41.03.F0**
- **41.03.F1**
- **41.03.F2**
- **41.03.F3**
- **41.03.F4**
- **41.03.F5**
- **41.03.FD**

#### Recommended action

1. Reload the tray, verifying that the guides in the tray are flush with the loaded media in the tray.
2. Try the print job again.

Watch the mechanism to see if it is functioning correctly. If the linkage is broken, replace the paper tray.

3. If the error persists, print a Configuration Page and note the paper size for the tray in question.
  - If the size is not reported correctly, run the tray size sensor test in the **Diagnostic** menu.
  - If the tray size sensors test as **GOOD**, replace the paper tray.
  - If the tray size sensors test as **BAD**, check the cable connections between the tray size sensor and the DC Controller.

If the cable connections are plugged in correctly and the cables are not compromised, replace the correct component that contains the tray size sensing switches.

### 41.03.YZ Unexpected size in tray <X>

#### Description

The printer detected a different paper size than expected.



Y = Type, Z = Tray

- Y = 0 Size mismatch. Detected media is longer or shorter than expected.
- Y = A Size mismatch. Detected media too long.
- Y = B Size mismatch. Detected media too short.
- Y = C Size mismatch. Inter-page gap error.
- Y = D Size mismatch. Detected media narrower than expected.
- Y = E Size mismatch. Detected media wider than expected.
- Z = D Source is the duplexer.
- Z = E Source is the envelope feeder.
- Z = 1 Source is Tray 1.
- Z = 2 Source is Tray 2.
- Z = 3 Source is Tray 3.
- Z = 4 Source is Tray 4.
- Z = 5 Source is Tray 5.

**Recommended action**

1. Touch **OK** to use another tray.
2. Print a configuration page to verify the size and type to which the trays are set.
3. Make sure that the tray is loaded with the correct paper size and that the sliding paper guides are correctly adjusted to the correct paper size.
4. Verify that the error is not occurring as a result of an unexpected paper size trigger caused by a multi-page feed.
5. Verify that the Toner cartridge and the transfer roller are seated properly.
6. Use the Tray/Bin manual sensor test to verify that the cassette media switch is correctly functioning.
7. Check paper path sensors SR6 and SR9 for proper operation and that they do not stick at all. Replace any damaged sensor or assembly.
8. Check paper width sensors SR13 and SR14 for proper operation and that they do not stick at all. Replace any damaged sensor or assembly.
9. Reconnect the connectors for the media sensor, intermediate-transfer belt, and the DC controller PCA.

**NOTE:**

- SR6 Top Sensor connects to DCC on J118.
- SR9 Fuser Delivery sensor connects to Fuser PCA on J2603 then to interconnect J50 then to DCC on J116.
- SR13 and SR14 Media Width sensors connect to DCC on J118.

- 10.** Test registration assembly motor and clutch. If not function properly replace the registration assembly. If the error persists, replace the lifter assembly.

**41.04.YZ Printer Error****Description**

An unknown misprint error occurred on the printer.

Y = Type, Z = Tray

- Y = 0: Photo Media (1, 2, or 3)
- Y = 1: Auto Sense (Normal)
- Y = 2: Normal (typed not from Auto Sense)
- Y = 3: Light media 1, 2, or 3 mode
- Y = 4: Heavy media 1
- Y = 5: Heavy media 2
- Y = 6: Heavy media 3
- Y = 7: Glossy media 1
- Y = 8: Glossy media 2
- Y = 9: Glossy media 3
- Y = A: Glossy film
- Y = B: OHT
- Y = C: Label
- Y = D: Envelope 1, 2, or 3 mode
- Y = E: Rough
- Y = F: Other mode
- Z = D Source is the duplexer.
- Z = 0 Source is the envelope feeder.
- Z = 1 Source is Tray 1.
- Z = 2 Source is Tray 2.
- Z = 3 Source is Tray 3.

- Z = 4 Source is Tray 4.
- Z = 5 Source is Tray 5.

**Recommended action**

1. Touch **OK** to clear the error.
2. If error does not clear, turn the printer off, and then on again.
3. Swap out or re-seat each toner cartridge to test it.
4. Check the toner cartridges before replacing any other parts (HP original?, connectors, etc.).
5. Re-seat the connections to the laser/scanner and the DC controller.
6. If the error persists, replace the affected laser/scanner.
7. Replace the DC controller.

**41.05.YZ Unexpected type in tray <X>**

**Description**

The printer can detect the type of paper in the paper path, and it adjusts the print mode accordingly.

The printer uses two types of media sensors:

- **Reflection:** Detects the glossiness of the paper.
- **Transmission:** Detects the thickness of the paper.

Tray X is loaded with a media type (transparencies, envelopes, etc.) that is different than what they tray is configured to use.

Y = Expected type, Z = Detected type

- Y = 0: Photo Media (1, 2, or 3)
- Y = 1: Auto Sense (Normal)
- Y = 2: Normal (typed not from Auto Sense)
- Y = 3: Light media 1, 2, or 3 mode
- Y = 4: Heavy media 1
- Y = 5: Heavy media 2
- Y = 6: Heavy media 3
- Y = 7: Glossy media 1
- Y = 8: Glossy media 2
- Y = 9: Glossy media 3
- Y = A: Glossy film
- Y = B: OHT
- Y = C: Label

- Y = D: Envelope 1, 2, or 3 mode
- Y = E: Rough
- Y = F: Other mode
- Z = 0: Photo Media (1, 2, or 3)
- Z = 1: Auto Sense (Normal)
- Z = 2: Normal (typed not from Auto Sense)
- Z = 3: Light media 1, 2, or 3 mode
- Z = 4: Heavy media 1
- Z = 5: Heavy media 2
- Z = 6: Heavy media 3
- Z = 7: Glossy media 1
- Z = 8: Glossy media 2
- Z = 9: Glossy media 3
- Z = A: Glossy film
- Z = B: OHT
- Z = C: Label
- Z = D: Envelope 1, 2, or 3 mode
- Z = E: Rough
- Z = F: Other mode

**Recommended action**

1. Load the tray with the size and type of paper indicated, or use another tray if available.
2. If this message displays and the tray is loaded with the correct paper type, check the print driver settings to make sure they match the tray type settings.
3. Check all application and printer settings to make sure that the **Type** setting is correct.

**41.XX.YZ Error To continue, touch “OK”**

**Description**

This section covers all other errors of the form 41.XX.YZ not covered in the previous sections.

A printer error has occurred.

XX = error type

Y = fuser mode

Z = input tray

- XX = 02 Beam detect misprint
- XX = 09 Sub thermistor abnormally high
- XX = 10 Pickup failure.
- XX = 11 Illegal Duplex.
- XX = 18 Scan line inclination adjustment
- XX = 20 Image drum HV
- Y = 0: Photo Media (1, 2, or 3)
- Y = 1: Auto Sense (Normal)
- Y = 2: Normal (typed not from Auto Sense)
- Y = 3: Light media 1, 2, or 3 mode
- Y = 4: Heavy media 1
- Y = 5: Heavy media 2
- Y = 6: Heavy media 3
- Y = 7: Glossy media 1
- Y = 8: Glossy media 2
- Y = 9: Glossy media 3
- Y = A: Glossy film
- Y = B: OHT
- Y = C: Label
- Y = D: Envelope 1, 2, or 3 mode
- Y = E: Rough
- Y = F: Other mode
- Z = 0 Envelope feeder
- Z = 1 Tray 1
- Z = 2 Tray 2
- Z = 3 Tray 3
- Z = 4 Tray 4
- Z = 5 Tray 5
- Z = 6 Tray 6
- D Duplexer

**Recommended action**

1. To clear the message, touch the [OK](#) button.
2. If the message displays again, turn the printer off, and then on again.
3. If the error persists, replace the DC Controller PCA.

**42.XX.YZ Error Messages****42.XX.YZ****Description**

Internal system failure

**Recommended action**

1. Turn the product off then on, and retry.
2. If the error persists, clear the firmware image from the active partition by using the [Partial Clean](#) item in the [Preboot](#) menu.

**44.XX.XX Error Messages****44.01.XX Error Event log message****Description**

A digital send error has occurred.

**Recommended action**

No action necessary. This error message should automatically clear.

Try to send the job again.

**If error does not clear or returns:**

- Use optimal resolution and image quality settings.
- wait till all the digital send jobs have been processed.
- Reboot and retry job.
- Verify if there is an attachment limit on the email.
- Verify network connectivity, SMTP gateways, access to folder share.

**44.03.XX Error Event log message****Description**

A digital send error has occurred.

**Recommended action**

Try to send the job again.

**If error does not clear or returns:**

- Use optimal resolution and image quality settings.
- wait till all the digital send jobs have been processed.
- Reboot and retry job.
- Verify if there is an attachment limit on the email.
- Verify network connectivity, SMTP gateways, access to folder share.

#### 44.10.XX Error Event log message

##### **Description**

A send to e-mail error has occurred.

##### **Recommended action**

No action necessary.

#### 44.34.XX Error Event log message

##### **Description**

A fax error has occurred.

##### **Recommended action**

1. Try to send the job again.
2. Check the fax settings to make sure they are set to the proper settings for the environment.
3. If the issue persists, see document - "Solve fax problems", for additional fax troubleshooting information.

#### 44.92.XX Error Event log message

##### **Description**

A fax error has occurred.

##### **Recommended action**

1. Try to send the job again.
2. Check the fax settings to make sure they are set to the proper settings for the environment.
3. If the issue persists, see document - "Solve fax problem" for additional fax troubleshooting information.

#### 44.94.XX Error Event log message

##### **Description**

A fax error has occurred.

**Recommended action**

1. Try to send the job again.
2. Check the fax settings to make sure they are set to the proper settings for the environment.
3. If the issue persists, see document - "Solve fax problem" for additional fax troubleshooting information.

**44.A0.XX Error Event log message****Description**

MFP specific error dealing with the Digital send abilities for Security (Login/LDAP/SSL)

**Recommended action**

1. Turn the printer off then on again. Try to login or send the job again.
2. Make sure all Digital Sending Devices are operational and properly configured.  
  
One or more Control Panel Icons for digatl send features may be "Grayed Out" and Marked with an exclamation point "!"
3. The user should contact an administrator. The administrator needs to check the Domain Controller certificate and make sure a valid SSL exists in the location on the LDAP server pointed to by the SSL extension in the certificate.

**47.XX.XX Error Messages****47.00.XX****Description**

Back channel internal error.

**Recommended action**

1. Turn the product off, and then on again.
2. Resend the print job.
3. If the error persists, clear the active partition by using the [Partial Clean](#) item in the [Preboot](#) menu.

**47.01.XX****Description**

Image transformer internal error.

**Recommended action**

1. Turn the product off, and then on again.
2. Resend the print job.
3. If the error persists, clear the active partition by using the [Partial Clean](#) item in the [Preboot](#) menu.



## 47.02.XX

### Description

Job parser internal error.

### Recommended action

1. Turn the product off, and then on again.
2. Resend the print job.
3. If the error persists, clear the active partition by using the [Partial Clean](#) item in the [Preboot](#) menu.

## 47.03.XX

### Description

Print job internal error.

### Recommended action

1. Turn the product off, and then on again.
2. Resend the print job.
3. If the error persists, clear the active partition by using the [Partial Clean](#) item in the [Preboot](#) menu.

## 47.04.XX

### Description

Print spooler 9100 internal error.

### Recommended action

1. Turn the product off, and then on again.
2. Resend the print job.
3. If the error persists, clear the active partition by using the [Partial Clean](#) item in the [Preboot](#) menu.

## 47.05.00

### Description

Print spooler framework internal error.

### Recommended action

1. Turn the product off, and then on again.
2. Resend the print job.
3. If the error persists, clear the active partition by using the [Partial Clean](#) item in the [Preboot](#) menu.

## 47.06.XX

### Description

Print application internal error.

**Recommended action**

1. Turn the product off, and then on again.
2. Resend the print job.
3. If the error persists, clear the active partition by using the [Partial Clean](#) item in the [Preboot](#) menu.

**47.WX.YZ Printer Calibration Failed To continue, touch “OK”****Description**

The device is unable to access or implement one of the image patterns files.

Y = Calibration type, Z = Event

- 47.FC.00 (event code) Color plane registration (CPR) Image not found at system initialization
- 47.FC.01 (event code) CPR Store Image failure
- 47.FC.02 (event code) CPR Image not found
- 47.FC.03 (event code) CPR Print engine execution failure
- 47.FC.10 (event code) Consecutive Dmax Dhalf Image not found at system initialization
- 47.FC.11 (event code) Consecutive Dmax Dhalf Store image failure
- 47.FC.12 (event code) Consecutive Dmax Dhalf Image not found
- 47.FC.13 (event code) Consecutive Dmax Dhalf Print engine execution failure
- 47.FC.20 (event code) Error Diffusion Image not found at system initialization
- 47.FC.21 (event code) Error Diffusion Store image failure
- 47.FC.22 (event code) Error Diffusion Image not found
- 47.FC.23 Error Diffusion Print engine execution failure
- 47.FC.30 0 (event code) Drum Speed Adjustment Image not found at system initialization
- 47.FC.31 (event code) Drum Speed Adjustment Store image failure
- 47.FC.32 (event code) Drum Speed Adjustment Image not found
- 47.FC.33 (event code) Drum Speed Adjustment Print engine execution failure
- 47.FC.40 (event code) Pulse Width Modulation Image not found at system initialization
- 47.FC.41 (event code) Pulse Width Modulation Store image failure
- 47.FC.42 (event code) Pulse Width Modulation Image not found
- 47.FC.43 (event code) Pulse Width Modulation Print engine execution failure

**Recommended action**

1. Turn the product off, and then on again.
2. If the error persists over multiple power cycles frequently and consistently on a unit then do the following.

- In the [Administration/Troubleshooting/Diagnostics](#), run the hard disk tests to validate health of the device. Fix any issue found with the mass storage device
3. If the error persists, reload the firmware.
  4. If the error persists, clear the active partition by using the [Partial Clean](#) item in the [Preboot](#) menu then reload the firmware.

## 48.XX.YY Error Messages

### 48.XX.YY

#### Description

A job framework internal error has occurred.

#### Recommended action

1. No action should be necessary.
2. If the error persists, upgrade the product firmware.
3. If the issue persists, continue troubleshooting with the flowcharts for either Intermittent or Persistent 49 error troubleshooting (whichever is appropriate) in document c03122817, “HP LaserJet FutureSmart Devices - 49 Error Troubleshooting (Persistent and Intermittent)”.

## 49.XX.YY Error Messages

### 49.XX.YY Error To continue turn off then on

#### Description

A firmware error occurred. Corrupted print jobs, software application issues, non-product specific print drivers, poor quality USB or network cables, bad network connections or incorrect configurations, invalid firmware operations, or unsupported accessories can cause this error.

#### Recommended action

1. Turn the product off, and then on.
2. If the error persists, check the following:
  - The error might be caused by a network connectivity problem, such as a bad interface cable, a bad USB port, or an invalid network configuration setting.
  - The error might be caused by the print job, due to an invalid print driver, a problem with the software application, or a problem with the file being printed.
  - Upgrading the product firmware might help resolve the error. See the product user guide for more information.

When a 49 error occurs, the user sees a 49.XXXX message on the control panel (where XXXX is replaced by a combination of letters and numbers). A 49 error might happen at any time for multiple reasons. Although some types of 49 errors can be caused by hardware failures, it is more common for 49 errors to be caused by printing a specific document or performing some task on the product.

49 errors most often occur when a product is asked to perform an action that the product firmware is not capable of and might not have been designed to comply with, such as:

- Printing files with unsupported programming commands
- A unique combination of user environment and user interactions with the product
- Interfacing with a third-party solution that was not designed to work with the product
- Specific timing, network traffic, or concurrent processing of jobs

Each of these interactions could cause the product firmware to initiate an action that the product cannot accomplish. In situations like this, the product might present the error if it has no other option. When these errors occur, the only way to recover is to turn the product's power off and back on.



**NOTE:** LaserJet formatter PCAs are rarely the root cause of 49 service errors. Please do not replace the formatter or flash unless troubleshooting has identified the formatter as the root cause.

If the error persists, continue troubleshooting with the flowcharts for either Intermittent or Persistent 49 error troubleshooting (whichever is appropriate) in document c03122817, “HP LaserJet FutureSmart Devices - 49 Error Troubleshooting (Persistent and Intermittent)”.

## 50.WX.YZ Error Messages

### 50.1X

#### Description

Low fuser temperature failure

#### Recommended action

1. Remove and reinstall the fuser. Make sure that it is seated correctly.
2. Make sure that there is no residual paper in the fuser.
3. Check the connector (J1901) between the fuser and the printer. If it is damaged, replace the fuser drive assembly or fuser.
4. Reconnect the connectors (J303 and J305) on the fuser control PCA and connector (J107) on the DC controller PCA
5. If the issue persists, replace the fuser.
6. If error still remains, replace the Fuser Power Supply assembly Part number: RM2-7125-000CN.

### 50.1X.YZ

#### Description

Low fuser temperature failure

#### Recommended action

1. Remove and reinstall the fuser. Make sure that it is seated correctly.
2. Make sure that there is no residual paper in the fuser.
3. Check the connector (J50) between the fuser and the printer. If it is damaged, replace the fuser drive assembly or fuser.
4. Reconnect the connector (J2603) on the fuser control PCA and connector (J116) on the DC controller PCA

5. If the issue persists, replace the fuser.
6. If error still remains, replace the Fuser Power Supply assembly Part number: RM2-7125-000CN.

## 50.2X.YZ

### Description

Fuser warm-up error

### Recommended action

1. Remove and reinstall the fuser. Make sure that it is seated correctly.
2. Make sure that there is no residual paper in the fuser.
3. Check the printer power source. Make sure that the power source meets printer requirements. Make sure that the printer is the only device using the circuit.
4. Check the connector (J50) between the fuser and printer. If the connector is damaged, replace the connector assembly or the Fuser
5. Reconnect the connector (J128) on the DC controller PCA, connector (J600) on the low voltage power supply assembly and the connectors (J6002 and J6003) on the fuser power supply assembly
6. If the issue persists, replace the fuser.
7. If error still remains, replace the fuser power supply assembly.  
Fuser Power Supply assembly Part number: RM2-7125-000CN
8. Replace the low-voltage power assembly.

## 50.3X.YZ

### Description

High fuser temperature

### Recommended action

1. Remove and reinstall the fuser. Make sure that it is seated correctly.
2. Make sure that there is no residual paper in the fuser.
3. Check the paper type setting in the printer control panel menus and in the print driver. Make sure that the settings match and are correct for the type of media being used.
4. Check the connector (J50) between the fuser and printer. If the connector is damaged, replace the connector assembly or the Fuser.
5. If the issue persists, replace the fuser.
6. If error still remains, replace the Fuser Power Supply assembly Part number: RM2-7125-000CN.

## 50.4X.YZ

### Description

Drive circuit fault

**Recommended action**

1. Remove and reinstall the fuser. Make sure that it is seated correctly.
2. Check the printer power source. Make sure that the power source meets printer requirements. Make sure that the printer is the only device using the circuit.



**NOTE:** If the printer does not meet the power requirement of 43 to 67Hz frequency, the fuser temperature control does not work properly and this will cause the malfunction.

3. Reconnect the connector (J128) on the DC controller PCA.
4. Replace the fuser power supply assembly.

**50.6X.YZ****Description**

Open fuser circuit (heating element failure)

**Recommended action**

1. Remove and reinstall the fuser. Make sure that it is seated correctly.
2. Check the connector (J50) between the fuser and printer. If the connector is damaged, replace the connector assembly or the Fuser.
3. If the issue persists, replace the fuser.
4. If error still remains, replace the Fuser Power Supply assembly Part number: RM2-7125-000CN.

**50.7X.YZ****Description**

Fuser pressure-release mechanism failure

**Recommended action**

1. Remove and reinstall the fuser. Make sure that it is seated correctly.
2. Check the gear for releasing pressure of the fuser. If the gear is damaged, replace the fuser.
3. Check the gear for releasing pressure of the fuser on printer side. If the gear is damaged, replace the fuser drive assembly.
4. Run the sensor test in the sensor monitor mode to verify that the fuser pressure release sensor is functioning properly. If it is not, replace the fuser pressure release sensor.
5. Run the fuser depressurization drive test in the actuator drive mode to verify that the fuser depressurization is functioning properly. If it is not, replace the fuser motor.
6. Reconnect the connector (J79) of the fuser pressure release sensor and the connector (J115) on the DC controller PCA.
7. Replace the fuser.

## 50.8X.YZ

### Description

Low fuser temperature 2

### Recommended action

1. Remove and reinstall the fuser. Make sure that it is seated correctly.
2. Make sure that there is no residual paper in the fuser.
3. Check the connector (J50) between the fuser and the printer. If it is damaged, replace the fuser drive assembly or fuser.
4. Reconnect the connector (J2603) on the fuser control PCA and connector (J116) on the DC controller PCA
5. If the issue persists, replace the fuser.
6. If error still remains, replace the Fuser PCA assembly. Fuser Power Supply assembly Part number: RM2-7125-000CN.
7. If error still remains, replace the Fuser Power Supply assembly Part number: RM2-7125-000CN.

## 50.9X.YZ

### Description

High fuser temperature 2

### Recommended action

1. Remove and reinstall the fuser. Make sure that it is seated correctly.
2. Make sure that there is no residual paper in the fuser.
3. Check the paper type setting in the printer control panel menus and in the print driver. Make sure that the settings match and are correct for the type of media being used.
4. Check the connector (J50) between the fuser and printer. If the connector is damaged, replace the connector assembly or the Fuser.
5. If the issue persists, replace the fuser.
6. If error still remains, replace the Fuser PCA assembly.

## 50.AX.YZ

### Description

Low fuser temperature 3

### Recommended action

1. Remove and reinstall the fuser. Make sure that it is seated correctly.
2. Make sure that there is no residual paper in the fuser.
3. Check the connector (J50) between the fuser and the printer. If it is damaged, replace the fuser drive assembly or fuser.

4. Reconnect the connector (J2603) on the fuser control PCA and connector (J116) on the DC controller PCA
5. If the issue persists, replace the fuser.
6. If error still remains, replace the Fuser PCA assembly.
7. If error still remains, replace the Fuser Power Supply assembly Part number: RM2-7125-000CN.

## 50.BX.YZ

### Description

High fuser temperature 3

### Recommended action

1. Remove and reinstall the fuser. Make sure that it is seated correctly.
2. Make sure that there is no residual paper in the fuser.
3. Check the paper type setting in the printer control panel menus and in the print driver. Make sure that the settings match and are correct for the type of media being used.
4. Check the connector (J50) between the fuser and printer. If the connector is damaged, replace the connector assembly or the Fuser.
5. If the issue persists, replace the fuser.
6. If error still remains, replace the Fuser PCA assembly.

## 50.WX.YZ

### Description

The fuser has experienced an error.

W = fuser error code, X = fuser mode, Y = previous printer sleep state, and Z = next printer sleep state.

Fuser modes and sleep states are listed after all 50.WX.YZ troubleshooting.

The specific issues are:

- 50.1X: Low fuser temperature
- 50.2X: Fuser warm up service
- 50.3X: High fuser temperature
- 50.4X: Drive circuit fault
- 50.6X: Open fuser circuit (heating element failure)
- 50.7X: Depressurizing mechanism malfunction
- 50.8X: Low fuser temperature 2
- 50.9X: High fuser temperature 2
- 50.AX: Low fuser temperature 3
- 50.BX: High fuser temperature 3



**Recommended action**

1. Turn the printer off, and then on.
2. If the error returns, turn the printer off and ensure the printer is directly plugged into a wall outlet (remove any surge protector or UPS).
3. If the error persists, try a different wall outlet (if possible), one that is preferably on a dedicated or different circuit.
4. Make sure that the correct fuser model is installed in the printer and that it meets the appropriate voltage requirements.
5. Make sure the fuser is seated properly.
6. If the error persists, continue troubleshooting based on the individual error listed below.

**Fuser Modes**

0 = Photo Media 1, 2, 3

1 = Normal—Auto Sense

2 = Normal

3 = Light 1

4 = Heavy 1

5 = Heavy 2

6 = Heavy 3

7 = Glossy 1

8 = Glossy 2

9 = Glossy 3

A = Glossy Film

B = Transparency

C = Label

D = Envelope 1

E = Rough

**Printer State / Sleep States**

0 = Printing

1 = Standby level 1 (no temperature control)

2 = Standby level 2 (high temperature control)

3 = Standby level 3 (middle temperature control)

4 = Standby level 2 (low temperature control)

5 = Middle sleep

6 = Deep sleep

F = Power off

## 51.XX.YZ, 52.XX.YZ Error Messages

### 51.00.YZ

#### Description

An error with the laser/scanner assembly has occurred in the product.

- 51.00.10: Beam detect error
- 51.00.19: Laser malfunction

#### Recommended action

1. Turn the product off, and then on
2. Check the connections to the laser scanners from the DC controller PCA
3. If the error persists, replace the laser scanner assembly.

### 52.00.00/52.00.20 Scanner Startup/Rotation error

#### Description

A printer laser scanner error occurred.

- 52.00.00 — Laser scanner startup error.
- 52.00.20 — Laser scanner rotation error.

#### Recommended action

1. Turn the product off, and then on
2. Reconnect the connector (J47) on the laser driver PCA and connector (J103) on the DC controller PCA.
3. If the error persists, replace the laser scanner assembly.

## 54.XX.YZ Error Messages

### 54.00.01 / 54.00.03 (EVENT LOG ONLY)

#### Description

Environment sensor abnormality warning

#### Recommended action

1. Turn the printer off and then on.
2. Reconnect the connector (J800) of the environment sensor and connector (J122) on the DC controller PCA.
3. Replace the environment sensor.

#### 54.00.06 or 54.00.14 or 54.00.19 (EVENT LOG ONLY)

##### Description

Registration density sensor failure

##### Recommended action

1. Open and close the right door (or turn on and then off the power switch) to perform the color plane registration.
2. Reconnect the connector (J120) on the DC controller PCA.
3. If the error persists, replace the registration density sensor assembly.

#### 54.01.05 (EVENT LOG ONLY)

##### Description

Media sensor is out of calibration range

##### Recommended action

1. Clean the media sensor assembly with lint-free cloth. Turn the power off and then on.
2. Reconnect the connector (J3) of the media sensor assembly and connector (J124) on the DC controller PCA.
3. Replace the registration assembly.

#### 54.06.21 (EVENT LOG ONLY)

##### Description

Primary laser/scanner beam detect abnormality

##### Recommended action

1. Turn the product off, and then on.
2. Check the connector (J126 and J127) on the DC controller PCA.
3. If the error persists, replace the laser/scanner assembly.

#### 54.0X.07 (EVENT LOG ONLY)

##### Description

The product experienced a Drum home position sensor error.

- **54.05.07:** Black Drum
- **54.06.07:** Cyan Drum
- **54.07.07:** Magenta Drum
- **54.08.07:** Yellow Drum

**Recommended action**

1. Turn the product off and then on.
2. Reconnect the connector (J114) on the DC controller PCA.
3. Replace the Main Drive Assembly.

**54.0X.0B or 54.0X.0C or 54.0X.0D or 54.0X.0E (EVENT LOG ONLY)****Description**

Density sensor out of range error or Dhalf calibration failure

- **54.00.0B, 54.00.0C 54.00.0D, 54.00.0E** — Black
- **54.01.0B, 54.01.0C 54.01.0D, 54.01.0E** — Cyan
- **54.02.0B, 54.02.0C 54.02.0D, 54.02.0E** — Magenta
- **54.03.0B, 54.03.0C 54.03.0D, 54.03.0E** — Yellow

**Recommended action**

1. Turn the power off and then on.
2. Check the supplies status page to make sure the toner cartridges are not past their useful life.
3. Clean any excess toner accumulation on the printer.
4. Check the ITB for damage and replace if necessary.
5. Make sure the RD sensor is not contaminated with toner or paper dust. Clean the sensor with compressed air and soft brush.
6. If the error persists, replace the registration sensor assembly.

**54.14.00 (EVENT LOG ONLY)****Description**

CPR sensor abnormality warning

**Recommended action**

1. Turn the product off, and then on.
2. Replace the ITB assembly.

**55.XX.YZ, 56.XX.YZ Error Messages****55.00.01, 55.00.03 or 55.00.04 DC Controller Error****Description**

The communication link between the formatter and DC controller was lost.

- 55.00.01–DC controller memory error.
- 55.00.03–DC controller no engine response
- 55.00.04–DC controller communications time out

**Recommended action**

Turn the product off and then on.

Verify that the all connectors on the DC controller are seated correctly.

If the error persists, replace the DC controller.

**55.00.05 Engine Firmware RFU Error**

**Description**

The firmware upgrade failed.

**Recommended action**

Turn the product off and then on.

If issue remains re-send upgrade.

**55.01.06, 55.02.06 DC controller error To continue turn off then on**

**Description**

NVRAM memory warning

- 55.01.06 (event code)  
NVRAM memory data error warning
- 55.02.06 (event code)  
NVRAM memory access error warning

**Recommended action**

Turn the product off, then on.

If the error persists, replace the DC controller PCA.

**56.00.01 Illegal Input Printer Error**

**Description**

The product experienced an illegal input.

**Recommended action**

Turn the product off, then on.

Remove any third-party hardware and test again

## 56.00.YY

### Description

The product experienced a communication error with the optional paper trays.

### Recommended action

1. Turn the product off, then on.
2. If the error persists, reseal the optional paper trays (1 x 500-sheet feeder and/or 3 x 500-sheet feeder).
3. Check the input connectors for damage. If a connector is damaged, replace the connector.

## 57.XX.YZ Error Messages

---



**NOTE:** Use the wiring diagram to trace back where the fan gets its supply voltage.

The connectors are supplied in the troubleshooting steps. If after following the steps provided the issue is not resolved it may be a voltage source issue from the DC Controller or LVPS. Depending which FAN is failing one of these parts may need to be replaced as a following step.

---

### 57.00.01 Delivery Fan (FM3) failure

#### Description

The printer experienced Exhaust Fan (FM3) failure

#### Recommended action

1. Turn the printer off, then on.
2. Reconnect the connector (J2505) on the high voltage power supply T PCA and connector (J109) on the DC controller PCA.
3. Replace the exhaust fan.



**NOTE:** Technicians can measure the voltage between the connectors (J109-8 and J109-9) on the DC controller PCA immediately after the printer is turned on. If the voltage changes from 0V to approximately 24V, replace the delivery fan. If Voltage not present check voltages for other fans and replace the DC Controller as needed.

---

### 57.00.02 Cartridge fan (FM2) failure


#### Description

The printer has experienced a cartridge fan (FM2) error.

#### Recommended action

1. Turn the printer off, then on.
2. Reconnect the connectors (J6003 and J606) on the fuser power supply assembly and connector (J128) on the DC controller PCA.
3. Replace the Cartridge fan.

---

 **NOTE:** Technicians can measure the voltage between the connectors (J128-3 and J128-4) on the DC controller PCA immediately after the printer is turned on. If the voltage changes from 0V to approximately 24V, replace the cartridge fan. If Voltage not present check voltages for other fans and replace the DC Controller as needed.

---

### 57.00.03 Power supply fan (FM1) failure


#### Description

The printer experienced Power supply fan (FM1) failure

#### Recommended action

1. Turn the printer off, then on.
2. Reconnect the connectors (J602 and J603) on the low-voltage power supply assembly and connector (J105) on the DC controller PCA.
3. Replace the Power Supply fan.

---

 **NOTE:** Technicians can measure the voltage between the connectors (J105-8 and J105-9) on the DC controller PCA immediately after the printer is turned on. If the voltage changes from 0V to approximately 24V, replace the power supply fan. If Voltage not present check voltages for other fans and replace the DC Controller as needed.

---

### 57.00.04 Fuser Fan (FM4) failure


#### Description

The printer experienced Fuser Fan (FM4) failure

#### Recommended action

1. Turn the printer off, then on.
2. Reconnect the connector (J54) of the fuser fan, intermediate connector (J1801), connector (J2506) on the high-voltage power supply T PCA and connector (J109) on the DC controller PCA.
3. Replace the Fuser fan.

---

 **NOTE:** Technicians can measure the voltage between the connectors (J109-2 and J109-3) on the DC controller PCA immediately after the printer is turned on. If the voltage changes from 0V to approximately 24V, replace the fuser fan. If Voltage not present check voltages for other fans and replace the DC Controller as needed.

---

## 58.XX.YZ Error Messages

### 58.00.02 Error

#### Description

Environmental sensor failure.

**Recommended action**

1. Turn the printer off and then back on.
2. If this part has been removed or replace, check the connector (J800) of the environment sensor and connector (J122) on the DC controller PCA.
3. If the error persists, replace the environmental sensor.

**58.00.03 Error****Description**

DC controller failure.

**Recommended action**

1. Turn the printer off and then back on.
2. Check all of the connectors on the DC controller PCA.
3. If the error persists, replace the DC controller PCA.

**58.00.04 Error****Description**

The printer experienced a low voltage power supply unit malfunction.

**Recommended action**

1. Turn the printer off and then back on.



---

**NOTE:** This error might be caused by source power related issues.

Determine if the area where the printer is located has experienced brown outs or is subject to power quality issues.

---

2. Ensure printer is plug into dedicated power outlet.
3. Reconnect the connector (J102) on the DC controller PCA.
4. If error persists, replace the Low Voltage Power Supply (LVPS).

**58.01.04 Error****Description**

24V power supply error during operation.


During regular printing operation the 24V power supply experienced an error.

**Recommended action**

1. Turn the printer off and then back on.



---

 **NOTE:** This error might be caused by source power related issues.

Determine if the area where the printer is located has experienced brown outs or is subject to power quality issues.

---

2. Ensure printer is plug into dedicated power outlet.
3. If error persists, replace the Low Voltage Power Supply (LVPS).

#### 58.02.04 Error

##### Description

24V power supply error during boot or wake.

During printer power on or when waking from sleep mode, the printer experienced an error with the 24V power supply.

##### Recommended action

1. Turn the printer off and then back on.

---

 **NOTE:** This error might be caused by source power related issues.

Determine if the area where the printer is located has experienced brown outs or is subject to power quality issues.

---

2. Ensure printer is plug into dedicated power outlet.
3. If error persists, replace the Low Voltage Power Supply (LVPS).

#### 59.XX.YZ Error Messages

##### 59.00.00 Motor error

##### Description

Paper Path motor malfunction.

##### Recommended action

1. Turn the printer off, then back on.
2. Run the pickup motor drive test in the actuator drive mode to verify that the fuser motor is functioning properly. If it is not, replace the pickup motor.
3. Reconnect the connector (J105) on the DC controller PCA.

##### 59.00.04 Duplex Motor error

##### Description

Duplex motor M8 malfunction.

##### Recommended action

1. Turn the printer off, then back on.
2. Run the duplex motor M8 drive test in the actuator drive mode to verify that the fuser motor is functioning properly. If it is not, replace the replace duplex drive assembly. PN: RM2-0006-000CN

### 59.00.30 or 59.00.40: Fuser error

#### Description

Fuser motor (M4) start up error or fuser motor (M4) rotational error.

#### Recommended action

1. Turn the printer off, then back on.
2. Open right door and remove fuser. Rotate fuser gears to ensure they move freely, if they do not replace the fuser.
3. Run the fuser motor drive test in the actuator drive mode to verify that the fuser motor is functioning properly. If it is not, replace the fuser motor. PN: RM2-0077-000CN
4. Reconnect the connector (J44) of the fuser motor and connector (J114) on the DC controller PCA.

### 59.00.B0 Replace Toner Collection Unit

#### Description

The toner collection unit (TCU) is full.

#### Recommended action

1. Check the toner collection unit. If the unit is full, replace it.
2. Toner can clog the ITB if the toner collection unit is full.

### 59.00.C0

#### Description

Developer alienation motor (M6) error

#### Recommended action

1. Turn the printer off, then back on.
2. Run the sensor test in the sensor monitor mode to verify that the developer home position sensor is functioning properly. If it is not, replace the main drive assembly.
3. Run the developer alienation drive test in the actuator drive mode to verify that the developer alienation drive is functioning properly. If it is not, replace the developer alienation motor. PN: RK2-6027-000CN stepping motor
4. If the printer has been serviced, check the connector (J46) on the developer disengagement motor and the connector (J132) on the DC controller PCA.

### 59.00.F0

#### Description

T1 alienation mechanism failure.

#### Recommended action

1. Turn the printer off, then back on.
2. Make sure that the ITB is correctly installed.

3. Use the manual sensor test to verify that the T1 roller alienation sensor (SR5) is properly functioning. If it is not, replace the T1 roller estrangement detect PCB assembly. PN: RM2-7157-000CN
4. Use the component tests T1 roller engagement and disengagement drive test to verify that the T1 roller disengagement mechanism is properly functioning. If it is not, remove the ITB and manually actuate the alienation mechanism. If it fails, replace the ITB. If the ITB is working correctly, replace the fuser drive assembly.
5. Reconnect the connector (J15) of the T1 roller alienation sensor, connectors (J2504 and J2502) on the high-voltage power supply T PCA and connector (J131) on the DC controller PCA.

#### 59.05.50 or 59.05.60

##### Description

The printer experienced a Black Drum Motor (M3) error

- 59.05.50 — Black drum motor startup abnormality
- 59.05.60 — Black drum motor rotation abnormality

##### Recommended action

1. Turn the printer off.
2. Remove the Black Cartridge and turn the printer back on.
3. Use the disable cartridge check and run the drum motor component test with the print cartridge removed.

If the test passes, replace the print cartridge. If the printer has been serviced, check the connector at the drum motor assembly and the DC controller.

If the test fails, replace the drum motor. PN: RM2-0078-000CN

4. Reconnect the connector (J43) of the drum motor 3 and connector (J130) on the DC controller PCA.

#### 59.06.50 or 59.06.60 — 59.07.50 or 59.07.60

##### Description

The printer experienced a Cyan/Magenta Drum Motor (M2) error

- 59.05.50 — Cyan / Magenta drum motor startup abnormality
- 59.05.60 — Cyan / Magenta drum motor rotation abnormality

##### Recommended action

1. Turn the printer off.
2. Remove the Cyan/Magenta Cartridge and turn the printer back on.
3. Use the disable cartridge check and run the drum motor component test with the print cartridge removed.

If the test passes, replace the print cartridge. If the printer has been serviced, check the connector at the drum motor assembly and the DC controller.



**NOTE:** Run the test separately for each Cartridge removed one at a time.

If the test fails, replace the drum motor. RM2-0078-000CN

4. Reconnect the connector (J42) of the drum motor 3 and connector (J111) on the DC controller PCA.

### 59.08.50 or 59.08.60

#### Description

The printer experienced a Yellow Drum Motor (M1) error

- 59.05.50 — Yellow drum motor startup abnormality
- 59.05.60 — Yellow drum motor rotation abnormality

#### Recommended action

1. Turn the printer off.
2. Remove the Yellow Cartridge and turn the printer back on.
3. Use the disable cartridge check and run the drum motor component test with the print cartridge removed.

If the test passes, replace the print cartridge. If the printer has been serviced, check the connector at the drum motor assembly and the DC controller.

If the test fails, replace the drum motor. RM2-0078-000CN

4. Reconnect the connector (J41) of the drum motor 3 and connector (J111) on the DC controller PCA.

### 60.00.0Y, 62.00.00 Error Messages

#### 62.00.00 No system To continue turn off then on

#### Description

The product experienced an internal system failure.

#### Recommended action

1. Turn the printer off, then on.
2. If the error persists, reload the firmware. If the error still persists, perform a firmware upgrade.
3. If the firmware upgrade does not resolve the problem, replace the hard disk.

### 70.XX.YY Error Messages

#### 70.00.00 Error To continue turn off then on

#### Description

DC controller failure.

#### Recommended action

1. Turn the printer off, and then on.
2. If the error persists, replace the DC controller.

## 80.WX.YZ, 81.WX.YZ, 82.WX.YZ Error Messages

### 80.OX.YY Embedded Jetdirect Error

#### Description

An Embedded HP JetDirect print server critical error has occurred.

- **80.01.80:** (event log) No heartbeat
- **80.01.81:** (event log) Reclaim timeout
- **80.01.82:** (event log) Invalid data length
- **80.01.8B:** (event log) Invalid max outstanding packet header field
- **80.01.8C:** (event log) Invalid channel mapping response
- **80.03.01:** (event log) No PGP buffers
- **80.03.02:** (event log) Channel table full
- **80.03.03:** (event log) Producer index not reset
- **80.03.04:** (event log) Consumer index not reset
- **80.03.05:** (event log) Queue position size too small
- **80.03.06:** (event log) Transport overflow
- **80.03.07:** (event log) No overflow packets
- **80.03.08:** (event log) Invalid identify response
- **80.03.09:** (event log) Invalid channel map return status
- **80.03.10:** (event log) Invalid reclaim return status
- **80.03.12:** (event log) Datagram invalid buffer
- **80.03.13:** (event log) Max stream channels
- **80.03.14:** (event log) Max datagram channels
- **80.03.15:** (event log) Card reset failed
- **80.03.16:** (event log) Self-test failure
- **80.03.17:** (event log) Unknown PGP packet
- **80.03.18:** (event log) Duplicate I/O channel

#### Recommended action

1. Turn the printer off, and then on.
2. Remove the RJ45 cable.
3. Turn the printer off, and then on.

4. Reconnect the RJ45 cable.
5. If the error persists, replace the formatter.

### 81.WX.YY EIO Error To continue turn off then on

#### Description

An external I/O card has failed on the product.

#### Recommended action

1. Turn the printer off, and then on.
2. Remove the RJ45 cable.
3. Turn the printer off, and then on. Is the error still present?
4. Reconnect the RJ45 cable. Does the error come back?
5. If the error is present when the RJ45 cable is NOT connected replace the EIO Card.

If error is present with RJ45 cable connected, the ask the end user to try another cable or check the network settings.

### 82.73.46, 82.73.47

#### Description

A hard disk or compact flash disk cleaning failed. This error is usually caused by a failure of the disk hardware.

#### Recommended action

1. Turn the product off, and then on.
2. Use the **Format Disk** item in the **Preboot** menu.
3. Reload the firmware.

### 90.XX.YY error messages

#### 90.15.00

#### Description

The video interface has been detected.

Communication with the Control Panel has been detected.

This message is a normal part of booting up and establishing communication with the control panel.

#### Recommended action

No action necessary.

#### 90.15.01

#### Description

The video interface has **NOT** been detected.

Communication with the Control Panel has not been established in the expected time frame. The control panel likely will not display properly.

**Recommended action**

1. Turn the printer off and then on.
2. Turn the printer off by holding down the power button for at least 10 seconds.
3. Ensure Control Panel Connectors at Control panel are properly seated. Power cycle device with long press of power button.

If Formatter status LED is Yellow, Control Panel may be defective.

4. Replace the Control Panel.

**98.0X.0Y Error Messages**

**98.00.01 or 98.01.00 Corrupt data in firmware volume**

**Description**

Data corrupt has occurred in the firmware volume.

**Recommended action**

1. Turn the printer off, and then on.
2. Use the **Format Disk** item in the **Preboot** menu.
3. Reload the firmware.

**98.00.02 Corrupt data in the solutions volume**

**Description**

Data corrupt has occurred in the solutions volume.

**Recommended action**

1. Turn the printer off, and then on.
2. Use the **Format Disk** item in the **Preboot** menu.
3. Reload the firmware.

**98.00.03 Corrupt data in the configuration volume**

**Description**

Data corrupt has occurred in the configuration volume.

**Recommended action**

1. Turn the printer off, and then on.
2. Download the firmware again, and then attempt the upgrade again.
3. Use the **Format Disk** item in the **Preboot** menu.
4. Reload the firmware.

#### 98.00.04 Corrupt data in the job data volume

##### Description

Data corrupt has occurred in the job data volume.

##### Recommended action

1. Turn the printer off, and then on.
2. Rerun the file erase function.

#### 99.XX.YY Error Messages

##### 99.00.01 Upgrade not performed file is corrupt

##### Description

A remote firmware upgrade (RFU) was not performed.

This is a CRC error in the firmware image (bad image).

##### Recommended action

Download the RFU file, and then attempt the upgrade again.

##### 99.00.02 Upgrade not performed timeout during receive

##### Description

A remote firmware upgrade (RFU) was not performed.

The issue is an I/O timeout when reading the header number and size. It indicates a problem with the network environment, not the product.

##### Recommended action

The most common cause is an issue with the network environment.

Make sure that there is a good network connection to the product, and then attempt the firmware upgrade again, or upgrade using the USB walk-up port.

##### 99.00.03 Upgrade not performed error writing to disk

##### Description

A remote firmware upgrade (RFU) was not performed.

This is a disk error. It might indicate a problem or a hard disk failure. It might be necessary to check the connection to the hard disk or replace the hard disk.

##### Recommended action

1. Download the RFU file, and then attempt the upgrade again.
2. If the error persists, run the **Format Disk** process from the **Preboot** menu.  
You will need to download the firmware from the **Preboot** menu.
3. If the error persists, replace the hard disk.



#### 99.00.04 Upgrade not performed timeout during receive

##### **Description**

A remote firmware upgrade (RFU) was not performed.

The issue is an I/O timeout when reading the header.

##### **Recommended action**

The most common cause is an issue with the network environment.

Make sure that there is a good network connection to the product, and then attempt the firmware upgrade again, or upgrade using the USB walk-up port.

#### 99.00.05 Upgrade not performed timeout during receive

##### **Description**

A remote firmware upgrade (RFU) was not performed.

The issue is an I/O timeout when reading image data.

##### **Recommended action**

The most common cause is an issue with the network environment.

Make sure that there is a good network connection to the product, and then attempt the firmware upgrade again, or upgrade using the USB walk-up port.

#### 99.00.06 Upgrade not performed error reading upgrade

##### **Description**

A remote firmware upgrade (RFU) was not performed.

The issue is an unexpected read error when reading the header number and size.

##### **Recommended action**

1. Download the RFU file, and then attempt the upgrade again.
2. If the error persists, replace the hard disk.

#### 99.00.07 Upgrade not performed error reading upgrade

##### **Description**

A remote firmware upgrade (RFU) was not performed.

The issue is an unexpected read error when reading the rest of the header.

##### **Recommended action**

1. Download the RFU file, and then attempt the upgrade again.
2. If the error persists, replace the hard disk.

#### 99.00.08 Upgrade not performed error reading upgrade

##### **Description**

A remote firmware upgrade (RFU) was not performed.

The issue is an unexpected read error when reading image data.

##### **Recommended action**

1. Download the RFU file, and then attempt the upgrade again.
2. If the error persists, replace the hard disk.

#### 99.00.09 Upgrade canceled by user

##### **Description**

A remote firmware upgrade (RFU) was not performed.

The RFU was canceled by the user.

##### **Recommended action**

Resend the RFU.

#### 99.00.10 Upgrade canceled by user

##### **Description**

A remote firmware upgrade (RFU) was not performed.

The RFU was canceled by the user when reading the header number and size.

##### **Recommended action**

Resend the RFU.

#### 99.00.11 Upgrade canceled by user

##### **Description**

A remote firmware upgrade (RFU) was not performed.

The RFU was canceled by the user when reading the rest of the header.

##### **Recommended action**

Resend the RFU.

#### 99.00.12 Upgrade not performed the file is invalid

##### **Description**

A remote firmware upgrade (RFU) was not performed.

The header number is 1, but the header size does not match version 1 size.

##### **Recommended action**

Download the RFU file again.

Make sure that you download the file for the correct product model, and then resend the RFU.

#### **99.00.13 Upgrade not performed the file is invalid**

##### **Description**

A remote firmware upgrade (RFU) was not performed.

The header number is 2, but the header size does not match version 2 size.

##### **Recommended action**

Download the RFU file again.

Make sure that you download the file for the correct product model, and then resend the RFU.

#### **99.00.14 Upgrade not performed the file is invalid**

##### **Description**

A remote firmware upgrade (RFU) was not performed.

The file is invalid.

##### **Recommended action**

Download the RFU file again.

Make sure that you download the file for the correct product model, and then resend the RFU.

#### **99.00.2X**

##### **Description**

There is a compatibility issue with the firmware. The specific message varies depending on the cause, but the solution for each message is the same.

- **99.00.20** (event log)  
The bundle is not for this printer.
- **99.00.21** (event log)  
The bundle is not signed with the correct signature, or the signature is invalid.
- **99.00.22** (event log)  
The bundle header version is not supported by this firmware.
- **99.00.23** (event log)  
The package header version is not supported by this firmware.
- **99.00.24** (event log)  
The format of the bundle is invalid.
- **99.00.25** (event log)  
The format of the package is invalid.

- **99.00.26** (event log)  
A CRC32 check did not pass.
- **99.00.27** (event log)  
An I/O error occurred while downloading the bundle.

**Recommended action**

Download the correct firmware file from [www.hp.com](http://www.hp.com), and then resend the firmware upgrade.

**99.00.27 only:**

1. Turn the printer off, and then on.
2. Resend the firmware upgrade.
3. If the error persists, try installing the upgrade by another method (USB or Embedded Web Server).

**99.01.XX**

**Description**

A firmware install error has occurred. The specific message varies depending on the cause, but the solution for each message is the same.

- **99.01.00**
- **99.01.10**
- **99.01.20**
- **99.01.21**

**Recommended action**

Reload the firmware.

**99.02.01**

**Description**

Firmware installation was successful.

**Recommended action**

No action necessary.

**99.02.09**

**Description**

Firmware upgrade cancelled by user.

**Recommended action**

No action necessary.

### 99.09.60 Unsupported disk

#### Description

This is a **Preboot** menu error.

The hard disk currently installed is not recognized or supported by the product.

#### Recommended action

Install the correct hard disk for this printer.

### 99.09.61 Unsupported disk

#### Description

This is a **Preboot** menu error.

The installed disk is installed in a product configured for an encrypted hard disk..

#### Recommended action

Access the **Preboot** menu, and then select **Lock Disk** to lock the disk.

### 99.09.62 Unknown disk

#### Description

This error indicates that there is an encryption mismatch between the HDD and the formatter. This typically happens because an HDD was swapped into a device from another device.

#### Recommended action

Install a new disk or use the **Preboot** menu unlock the disk.

If a disk is to be reused in a different product, execute the **Format Disk** procedure from the **Preboot**, and then reload the firmware and lock the disk.

### 99.09.63 Incorrect disk

#### Description

This error indicates that the expected encrypted HDD is not present.

This is expected behavior when installing a new HDD in a device where the previous HDD was encrypted.

#### Recommended action

Perform an erase and unlock on a new hard disk, and then reload firmware.

After firmware has been installed, perform the lock the disk to this product.

### 99.09.64 Disk Nonfunctional

#### Description

A fatal hard disk failure has occurred.

### Recommended action

1. Determine if the Hard Disk needs to be replaced.
2. Ask if customer is using eMMC as a temporary mass storage solution (eMMC must be present).
3. Instruct the customer to enable eMMC from the preboot menus.
4. Power down the printer.
5. Inform customer that the broken Hard drive must be removed to continue.
6. Power printer on, boot is expected to stop at 99.39.67 eMMC Not Bootable.
7. Provide Instructions to download firmware (This will automatically download to eMMC).
8. During download to eMMC, F/W clear data migration bit.
9. If issue still remains, replace the Hard Drive.

### 99.09.65 Disk data error

#### Description

Disk data corruption has occurred.

#### Recommended action

Use the **Format Disk** procedure from the **Preboot** menu, and then resend the RFU.

### 99.09.66 No boot device.

#### Description

A disk drive is not installed in the printer.

#### Recommended action

1. Determine the customer's intended boot device (Hard drive or eMMC).
2. Install a compatible hard disk drive or eMMC.
3. If a compatible hard disk or eMMC is installed, reseal the hard disk or eMMC to make sure that it is connected correctly.
4. If the error persists, replace the Hard drive or eMMC.



---

**NOTE:** Device is unusable until a new boot device is installed.

---

### 99.09.67 Disk is not bootable please download firmware

#### Description

This is an error indicating that there is no firmware installed on the disk. This is usually the result of installing a new disk or performing a **Format Disk** operation from the **Preboot** menu.

#### Recommended action

1. Press any button to continue to the main **Preboot** menu.
2. Press the Help button to see the help text for the error.

3. Select the **Administration** menu.

---

 **NOTE:** If there is a password assigned to the Administrator, a prompt to enter the printer displays. Enter the password to proceed.

---

4. Select the **Download** item, and then download the latest firmware.

The user can now download a new firmware bundle to the printer.

If download fails to Hard drive, follow instructions listed in **99.09.64** error

### 99.39.64 eMMC Nonfunctional


#### Description

The eMMC is not functioning.

#### Recommended action

Replace the eMMC.

---

 **NOTE:** Device is unusable until a new eMMC is installed.

---

### 99.39.67 eMMC Not Bootable

#### Description

Data on the eMMC cannot secured or encrypted.

When the Hard drive is installed all data on the eMMC is automatically migrated to the Hard drive and erased from the eMMC. As long as the Hard drive is installed the eMMC is non-functional.

The customer by passed data migration and put eMMC back in.

#### Recommended action

1. Download firmware to the eMMC.
2. If download fails to eMMC, Replace the eMMC.

---

 **NOTE:** Device is unusable until a new eMMC is installed.

---

### 99.XX.YY

#### Description

A message of this form indicates a firmware installation error.

#### Recommended action

Reload the firmware.

### Alpha Error Messages

#### Accept bad signature

#### Description

The printer is performing a remote firmware upgrade, and the code signature is invalid.

Event Log will list 99.00.28.

**Recommended action**

Download the RFU file again. Make sure that you download the file for the correct printer model. Attempt the firmware upgrade again.

**Authentication required**

**Description**

A user name and password are required.

**Recommended action**

Type the user name and password, or contact the network administrator.

**Bad optional tray connection**

**Description**

The optional tray is not connected, not connected correctly, or a connection is not working correctly.

**Recommended action**

1. Turn the printer off.
2. Remove and then reinstall the optional tray.
3. If more than one extra 550 Sheet feeder is available swap trays and test again.
4. Remove the tray and inspect the connectors on the tray and printer for damage. If either of them are broken, have bent pins, or otherwise appear damaged, replace them.
5. Carefully reposition printer base onto the optional tray. HP recommends that two people lift the printer.
6. If the problem continues, replace the connector for the tray. (RC4-1741-000CN Draw connector)

**Binname full**

**Description**

The specified output bin is full.

**Recommended action**

1. Empty the bin to continue printing.
2. Using diagnostic test, Check sensor SR10 is functioning properly If SR10 does not function correctly replace the delivery assembly.
  - Duplex Printer RM2-0016-000CN
  - Simplex Printer RM2-0092-000CN

**Calibration reset pending**

**Description**

A calibration reset occurs when all jobs are processed.



**Recommended action**

- ▲ To begin the reset sooner, cancel all jobs by pressing the [Stop](#) button.

**Canceling...<jobname>****Description**

The printer is canceling the current job <jobname>.

**Recommended action**

No action necessary.

**Cartridge low****Description**

If this message appears even though the print cartridge is new, perform the following.

**Recommended action**

1. Remove, and then reinstall the print cartridge.
2. Make sure a genuine HP supply is used.
3. If the error persists, replace the print cartridge.

**Cartridge Memory Abnormal****Description**

This message appears even though the print cartridge is new.

**Recommended action**

1. Remove, and then reinstall the print cartridge.
2. Reconnect connector (J103) on the DC controller PCA.
3. If the error persists, replace the print cartridge.

**Cartridge out****Description**

This message appears even though the print cartridge is new.

**Recommended action**

1. Remove, and then reinstall the print cartridge.
2. Make sure a genuine HP supply is used.
3. If the error persists, replace the print cartridge.

**Checking engine****Description**

The printer is conducting an internal test.

**Recommended action**

No action necessary.

**Checking paper path****Description**

The printer is checking for possible paper jams.

**Recommended action**

No action necessary.

**Chosen personality not available To continue, touch “OK”****Description**

A print job requested a printer language (personality) that is not available for this printer. The job will not print and will be cleared from memory.

**Recommended action**

Print the job by using a print driver for a different language, or add the requested language to the printer (if possible). To see a list of available personalities, print a configuration page.

**Cleaning disk <X> complete Do not power off****Description**

A storage device is being sanitized or cleaned.

**Recommended action**

Do not turn off the printer. The printer's functions are unavailable. The printer will automatically restart when finished.

**Cleaning....****Description**

The printer is performing an automatic cleaning cycle. Printing will continue after the cleaning is complete.

**Recommended action**

This process can take a few minutes, do not stop or open printer.

No action necessary.

**Clearing activity log****Description**

This message is displayed while the activity log is cleared. The printer exits the menus when the log has been cleared.

**Recommended action**

No action necessary.

## Clearing event log

### Description

This message is displayed while the event log is cleared. The printer exits the menus when the event log has been cleared.

### Recommended action

No action necessary.

## Clearing paper path

### Description

The printer is attempting to eject jammed paper.

paper is detected in the paper path. The printer will attempt to eject it.

### Recommended action

No action necessary. Check the progress at the bottom of the control panel display.

If a jam is not cleared, remove the paper.

if Jam does not clear with all media removed, when the printer detects an open and close door it should come up with the Jam error. Troubleshoot the specific jam.

## Close front door

### Description

The front door is open.

This message appears even though the top front door is closed.

### Recommended action

1. Close the front door.
2. Check the projection part on the front door. If it is damaged, replace the front door assembly.
3. Use the front door switch (SW1) test in the Manual sensor test to verify that the switch is properly functioning. If the switch fails the test, replace the switch.
4. Reconnect the connector (J101) on the DC controller PCA.
5. If the problem persists, replace the front door switch (SW1). PN: RM2-7206-000CN Interlock switch

## Close lower right door

### Description

The optional paper feeder right door is open.

### Recommended action

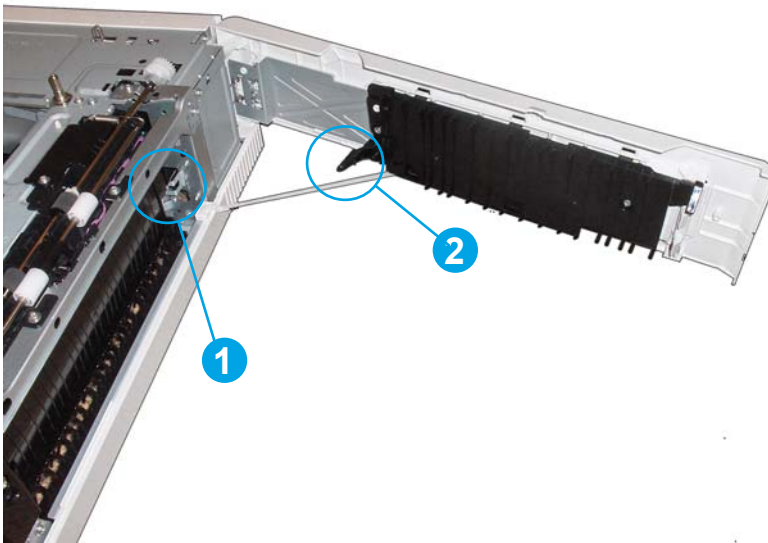
1. Close the door.
2. Run the switch test (SW20) in the sensor monitor mode to verify that the paper feeder right door switch is functioning properly. If it is not, replace the Lifter Drive Assembly RM2-5149-000CN (SW20 Part is on this drive assembly)

See **call-out 1** in the following image for switch location.

3. Check the sensor flag on the lower-right door assembly. If it is damaged, replace the door assembly. RM2-5146-000CN Right door Assembly

See **call-out 2** in the following image for flag location.

**Figure 2-85** 500 Sheet paper tray door



4. Check connector J2022 of the paper feeder right door switch and connector J1902 on the paper feeder controller PCA.

Replace the paper feeder PCA. PN: RM2-7139-000CN

### Close right door

#### Description

The upper right cover is open.

This message appears even though the right upper cover is closed.

#### Recommended action

1. Close the right upper cover.
2. Check the projection part for the switch on the right door assembly. If it is damaged, replace the front door assembly. PN: RM2-0019-000CN
3. Use the right upper cover switch (SW3) test in the Manual sensor test to verify that the switch is properly functioning. If the switch fails the test, replace the switch.

4. Reconnect the connector (J26) of the right door switch and connector (J115) on the DC controller PCA.
5. If the problem persists, Elevate the case for resolution.

### Communication lost message appears on the control panel in five different languages

#### Description

A Communication Lost message appears on the control panel in five different languages.

The communication path from the control panel to the formatter includes the Control Panel, USB cable, image control board (ICB), and the formatter.

#### Recommended action

1. Power down the printer and re-seat the formatter.
2. Re-seat the USB cable connection at the rear of the control panel (swing the control panel up 90 degrees for better access).
3. Turn the printer off and then back on again.
4. Does the message reappear in 20 - 30 seconds?
5. If YES:

Check the Heartbeat LED on the formatter (is it flashing?).

If the Heartbeat LED is NOT flashing, replace the formatter.

If the formatter Heartbeat LED is flashing, then the Communication Lost message could also be caused by:

- Bad USB connection at the ICB
  - Bad Control Panel
  - Bad ICB
6. If the error persists after replacing the formatter, or formatter is good, the control panel USB cable might not be seated properly at the ICB connection on top of the engine.

### Cooling device

#### Description

The printer is cooling.

#### Recommended action

No action is necessary.

### Data received

#### Description

The printer is waiting for more data to continue the print job. To print the remaining data, touch the Clear button. To close the dialog and wait for the command to print the last page, touch the **OK** button.

**Recommended action**

No action necessary.

**Data received To print last page press “OK”****Description**

The printer is waiting for the command to print the last page.

**Recommended action**

Touch the OK button to print the last page of the job.

**Event log is empty****Description**

No printer events are in the log.

**Recommended action**

No action necessary.

**Expected drive missing****Description**

The printer cannot find the encrypted hard drive.

**Recommended action**

Install the encrypted hard drive.

**External device initializing****Description**

An external device is initializing.

**Recommended action**

No action necessary.

**Fuser Kit low****Description**

**10.23.60** (event code)

The printer indicates when a supply is low.

**Recommended action**

Replace the fuser.

After replacing the fuser, reset the fuser page counter by selecting **New Fuser Kit** in the **Reset Supplies** sub-menu.

### Fuser Kit very low To continue, touch “OK”

#### Description

**10.23.70** (event code)

The printer indicates when a supply is very low.

After an HP supply has reached the very low threshold, the HP premium protection warranty for that supply has ended.

#### Recommended action

Replace the fuser.

After replacing the fuser, reset the fuser page counter by selecting **New Fuser Kit** in the **Reset Supplies** sub-menu.

### Gateways failed

#### Description

There is an incorrect gateways configuration.

#### Recommended action

Use the **EIO <X> Jetdirect** menu to configure the default gateway.

### Genuine HP supply installed

#### Description

**10.00.40** (event code) - Black print cartridge

A new genuine HP toner cartridge has been installed.

#### Recommended action

Touch the Hide button to remove this message.

### HP Secure hard drive disabled

#### Description

The HP high-performance hard disk is disabled, or the printer does not recognize the hard disk.

After an encrypted hard disk is paired with a specific printer, it cannot be used in another printer unless it is re-initialized.



**NOTE:** After the encrypted hard disk is paired to the printer, all other hard disks are disabled.

#### Recommended action

Remove the drive or use the HP Embedded Web Server for more information.

1. Open the embedded Web server by typing the printer IP address into a Web browser.
2. Select the **Digital Sending** tab.

3. Select the **Security** link from the left navigation menu, and open the **Hard Disk and Mass Storage Security Settings** section.
4. The following options are available.
  - **Disk Init** : This option does not affect the disk encryption status.
  - **NVram Init** : This option does not affect the disk encryption status.
  - **Disable Hard Disk Encryption and Reboot** : This option completely erases the hard disk including all stored jobs, digital-send settings, and authentication settings. All pre-loaded fonts, after-market fonts, and other programs must be reloaded.
  - **Reinitialize Hard Disk** : This option has the same effect as the Disable Hard Disk Encryption and Reboot , but it does not restart the printer.

### Incompatible <Supply>

#### Description

The indicated supply is not compatible with this printer.

- **10.00.35:** (event code) Black toner cartridge
- **10.23.35:** (event code) Fuser kit

#### Recommended action

Replace the supply with one that is designed for this printer.

### Incompatible supplies

#### Description

Print cartridges or other supply items are installed that were not designed for this printer. The printer cannot print with these supplies installed.

Event codes are supply specific.

#### Recommended action

Touch the **OK** button to identify the incompatible supplies.

Replace the supplies with those that are designed for this printer.

### Initializing

#### Description

The printer is starting.

#### Recommended action

No action necessary.

### Install fuser unit

#### Description


**10.23.15:** (event code) Fuser Kit



The fuser has been removed or installed incorrectly.

**Recommended action**

---

 **WARNING!** The fuser can be hot while the printer is in use. Turn the printer off, and then wait for the fuser to cool before handling it.

---

1. Remove the output bin or stapler/stacker.
2. Remove the fuser entrance guide.
3. Remove the fuser then reinstall it.
4. If message remains, replace the fuser.

Replace or reinstall the print cartridge correctly to continue printing.

**Install Supplies**

**Description**

More than one supply is missing or is installed incorrectly.

- **10.00.15** (event code): Black print cartridge
- **10.23.15** (event code): Fuser kit

**Recommended action**

Touch the OK button to identify which supplies need to be replaced.

Touch the OK button a second time for more information about the specific supply.

Insert the supply item or make sure the installed supply item is fully seated.

**Internal disk device failure To clear touch “OK”**

**Description**

**82.0X.YY** (event code)

The internal disk failed.

**Recommended action**

1. Touch the **OK** button to clear the error.
2. If the error persists, turn off the printer, and then remove and reinstall the hard drive.
3. Turn on the printer.
4. If the error persists, replace the internal hard drive.

**Internal disk file operation failed**

**Description**

A PJJ system command attempted to perform an invalid operation, such as downloading a file to a nonexistent directory.

**Recommended action**

Touch the OK button to clear the error.

**Internal disk file system is full****Description**

A PjL system command attempted to write data to the internal disk, but failed because the disk is full.

**Recommended action**

Touch the **OK** button to clear the error.

**Internal disk is write protected****Description**

The internal disk is write protected and no new files can be written to it.

**Recommended action**

Touch the **OK** button to clear the error.

**Internal disk not found****Description**

The internal disk was not found at start up.

**Recommended action**

Turn the printer off, and then on.

**Internal disk not functional****Description**

**82.OX.YY** (event code)

The internal hard drive is not functioning properly.

**Recommended action**

1. Turn off the printer, and then remove and reinstall the hard drive.
2. Turn on the printer.
3. If the error persists, replace the internal hard drive.

**Internal disk not initialized****Description**

The file system on the internal disk must be initialized before it can be used.

**Recommended action**

Initialize the file system on the internal disk.

## Internal disk spinning up

### Description

The internal disk device is spinning up its platter. Jobs that require disk access must wait.

### Recommended action

No action necessary.

## Load Tray <X>: [Type], [Size] To use another tray, press "OK"

### Description

This message displays when the indicated tray is selected, but is not loaded, and other paper trays are available for use.

It also displays when the tray is configured for a different paper type or size than the print job requires.

### Recommended action

1. Load the correct paper in the tray.
2. If prompted, confirm the size and type of paper loaded.
3. Otherwise, press the OK button to select another tray.
4. If error persists, use the cassette paper present sensor test in the Tray/bin manual sensor test to verify that the sensor is functioning correctly.
5. Make sure that the sensor flag on the paper presence sensor is not damaged and moves freely.
6. Reconnect the corresponding connector.
  - Printer cassette: connectors (J22) on the cassette media feed sensor and the connector (J121) on the DC controller PCA.
  - 1 X 500-sheet paper feeder cassette: interconnect (J2042 and J2042) on the paper feeder cassette media feed sensor and the connector (J1904) on the paper feeder controller PCA.

## Loading program <XX>

### Description

Programs and fonts can be stored on the printer's file system and are loaded into RAM when the printer is turned on. The number <XX> specifies a sequence number indicating the current program being loaded.

### Recommended action

No action necessary.



---

**NOTE:** Do not turn the printer off.

---

## Manually feed output stack Then touch "OK" to print second side

### Description

The first side of a manual duplex job printed and the printer is waiting for the user to insert the output stack to complete the second side. For the normal Manually Feed message, printing continues automatically when

the paper is reinserted. With this message, printing stops until the user touches the OK button, which allows time for straightening the output stack.

**Recommended action**

1. Maintaining the same orientation, remove the pages from the output bin.
2. Flip the document printed side up.
3. Load the document in Tray 1.
4. Touch the OK button to print the second side of the job.

**Manually feed: <Type><Size> To use another tray, press “OK”**

**Description**

This message displays when manual feed is selected, Tray 1 is loaded, and other trays are available.

**Recommended action**

1. Load tray with the requested paper.
2. If paper is already in tray, press the [Help](#) button to exit the message, and then press the [OK](#) button to print.
3. To use another tray, clear paper from Tray 1, press the [Help](#) button to exit the message, and then press the [OK](#) button.

**Moving solenoid and motor**

**Description**

The solenoid and a motor are moving as part of a component test.

**Recommended action**

No action necessary.

To exit, press the [Stop](#) button .

**Moving solenoid To exit press**

**Description**

The solenoid is moving as part of a component test.

**Recommended action**

No action necessary.

To exit, press the [Stop](#) button

**No job to cancel**

**Description**

The user pressed the Stop button , but the printer is not actively processing any jobs.

**Recommended action**

No action necessary.

**Non HP Supply Installed****Description**

**10.99.31** (event code)

A non-HP supply is detected.

This message is displayed for about 6 seconds when a new non HP supply is installed.

The printer does not provide supply status messages for non-HP supplies.

**Recommended action**

Press OK to continue.

If you believe you purchased a genuine HP supply, go to [www.hp.com/go/anticounterfeit](http://www.hp.com/go/anticounterfeit).

**Output Bin Full****Description**

The **Output Bin Full** message displays when the output bin is full and paper must be removed before printing can continue.

**Recommended action**

If this message appears even though the output bin is not full.

1. Make sure that the output bin sensor flag is not damaged and can move freely. If the flag is damaged, replace the flag.
2. Use the output bin full sensor (PS10) test in the Manual sensor test to test the sensor. If it does not respond, replace the replace the delivery assembly.
  - Duplex Printer RM2-0016-000CN
  - Simplex Printer RM2-0092-000CN

**Paused. Press to Resume****Description**

This message displays when the printer is paused and shows the job queue. The printer is paused, and there are no error messages pending at the display. The I/O continues receiving data until memory is full.

**Recommended action**

Press the **Stop** button

**Performing Paper Path Test****Description**

The printer is performing a paper-path test.

**Recommended action**

No action necessary.

**Please wait...****Description**

The printer is in the process of clearing data.

**Recommended action**

No action necessary.

**Printing Configuration****Description**

The printer is printing the Configuration page.

**Recommended action**

No action necessary.

**Printing Demo Page****Description**

The demo page is being generated. The printer will return to the Ready state when the page is complete.

**Recommended action**

No action necessary.

**Printing engine test****Description**

The printer is printing an engine Test page.

**Recommended action**

No action necessary.

**Printing Event Log****Description**

The printer is printing the Event Log page.

**Recommended action**

No action necessary.

**Printing File Directory****Description**

The printer is printing the File Directory pages.

**Recommended action**

No action necessary.

**Printing Font List****Description**

The printer is printing the Font List pages.

**Recommended action**

No action necessary.

**Printing Help Page****Description**

The printer is printing the Help page.

**Recommended action**

No action necessary.

**Printing Menu Map****Description**

The printer is printing the Menu Map pages.

**Recommended action**

No action necessary.

**Printing stopped To continue, touch “OK”****Description**

The printer displays this message when a print/stop test is run and the time expires.

**Recommended action**

Touch the OK button to continue.

**Printing Supplies Status Page****Description**

The printer is printing the Supplies Status page.

**Recommended action**

No action necessary.

**Printing Usage Page****Description**

The printer is printing the Usage page.

**Recommended action**

No action necessary.

**Processing****Description**

The printer is currently processing a job, but is not yet picking pages. When paper motion begins, this message is replaced by a message that indicates the tray the job is using.

**Recommended action**

No action necessary.

**Processing duplex job....Do not grab paper until job completes****Description**

The printer is processing a duplexed job.

Paper temporarily comes into the output bin while printing a duplex job.

---

 **CAUTION:** Do not grab paper as it temporarily comes into the output bin. The message disappears when the job is finished.

---

**Recommended action**

No action necessary.

**Processing job from tray <X>...Do not grab paper until job completes****Description**

The printer is processing a job from the tray indicated.

**Recommended action**

No action necessary.

**Processing...copy <X> of <Y>****Description**

The printer is currently processing or printing collated copies. The message indicates that copy number <X> of total copies <Y> is currently being processed.

**Recommended action**

No action necessary.

**RAM disk device failure To clear touch "OK"****Description**

The specified device failed.

**Recommended action**

Touch the OK button to clear the error.



### RAM disk file operation failed To clear touch “OK”

#### Description

A PJI command was received that attempted to perform an invalid operation, such as downloading a file to a nonexistent directory.

#### Recommended action

Touch the OK button to clear the error.

### RAM disk file system is full To clear touch “OK”

#### Description

The hard disk is full.

#### Recommended action

Touch the OK button to clear the error.

### RAM disk is write protected To clear touch “OK”

#### Description

The RAM device is write protected and no new files can be written to it.

#### Recommended action

Touch the OK button to clear the error.

### RAM disk not initialized

#### Description

The file system on the RAM disk must be initialized before it can be used.

#### Recommended action

Initialize the file system on the RAM disk.

### Ready

#### Description

The printer is online and ready for data. No status or printer attendance messages are pending at the display.

#### Recommended action

No action necessary.

### Ready <IP Address>

#### Description

The printer is online and ready for data. No status or printer attendance messages are pending at the display. The printer IP address displays.

#### Recommended action

No action necessary.

## Receiving Upgrade

### Description

The printer is receiving a firmware upgrade.

### Recommended action

Do not turn the printer off until it reaches the Ready state.

## Remove print cartridge

### Description

The printer is testing the print-cartridge motor.

### Recommended action

To perform the test, remove the print cartridge from the printer.

To cancel, press the [Stop](#) button.

## Remove USB accessory

### Description

This message displays when an unsupported USB device is inserted into a host USB port on the printer.

### Recommended action

Remove the unsupported USB device.

## Replace <Supply>

### Description

This alert displays only if the printer is configured to stop when a supply reaches the very low threshold. The printer indicates when a supply level is at its estimated end of life. The actual life remaining might be different than estimated.

The supply does not need to be replaced now unless the print quality is no longer acceptable.

HP recommends that the customer have a replacement supply available to install when print quality is no longer acceptable.

The printer can be configured to stop when the supply level is very low. The supply might still be able to produce acceptable print quality.



---

**NOTE:** When an HP supply has reached its approximated end of life, the HP Premium Protection Warranty on that supply ends.

---

- **10.00.70** : (event code) Black toner cartridge
- **10.23.70** (event code) Fuser Kit

### Recommended action

Replace the specified supply.

Or, configure the printer to continue printing using the [Manage Supplies](#) menu on the printer control panel.

## Replace Supplies

### Description

This alert displays only if the printer is configured to stop when a supply reaches the very low threshold. The printer indicates when a supply level is at its estimated end of life. The actual life remaining might be different than estimated.

The supply does not need to be replaced now unless the print quality is no longer acceptable.

HP recommends that the customer have a replacement supply available to install when print quality is no longer acceptable.

The printer can be configured to stop when the supply level is very low. The supply might still be able to produce acceptable print quality.



**NOTE:** When an HP supply has reached its approximated end of life, the HP Premium Protection Warranty on that supply ends.

- **10.00.70** : (event code) Black toner cartridge  
**10.23.70** (event code) Fuser Kit

### Recommended action

Replace the specified supply.

Or, configure the printer to continue printing using the [Manage Supplies](#) menu on the printer control panel.

## Resend external accessory firmware

### Description

An external accessory requires a firmware upgrade. Printing can continue, but jams might occur if the job uses the external accessory.

### Recommended action

Perform a firmware upgrade.

## Resend Upgrade

### Description

A firmware upgrade did not complete successfully.

### Recommended action

Upgrade the firmware again.

## Restore Factory Settings

### Description

The printer is restoring factory settings.

### Recommended action

No action necessary.

### **RFU Load Error Send full RFU on <X> Port**

#### **Description**

The printer displays this message before the firmware is loaded at initialization when an error has occurred during a firmware upgrade.

#### **Recommended action**

Resend the firmware upgrade.

### **ROM disk device failed To clear touch “OK”**

#### **Description**

The specified device failed.

#### **Recommended action**

Touch the **OK** button to clear the error.

### **ROM disk file operation failed To clear touch “OK”**

#### **Description**

A PJI command was received that attempted to perform an invalid operation, such as downloading a file to a nonexistent directory.

#### **Recommended action**

Touch the **OK** button to clear the error.

### **ROM disk file system is full To clear touch “OK”**

#### **Description**

The hard disk is full.

#### **Recommended action**

Touch the **OK** button to clear the error.

### **ROM disk is write protected To clear touch “OK”**

#### **Description**

The ROM device is write protected and no new files can be written to it.

#### **Recommended action**

Touch the **OK** button to clear the error.

### **ROM disk not initialized To clear touch “OK”**

#### **Description**

The file system on the ROM disk must be initialized before it can be used.

#### **Recommended action**

Initialize the file system on the ROM disk.

## Rotating Motor

### Description

This message displays during the execution of a component test and the component that is moving is a single motor.

### Recommended action

Touch the **Hide** button to remove this message.

## Sanitizing disk <X> complete Do Not power off

### Description

The hard disk is being cleaned.

### Recommended action

Contact the network administrator.

## Size mismatch in Tray <X>

### Description

The paper in the listed tray does not match the size specified for that tray.

### Recommended action

1. Load the correct paper.
2. Make sure that the paper is positioned correctly.
3. Close the tray, and then make sure that the control panel lists the correct size and type for the specified tray.
4. If necessary, use the control panel menus to reconfigure the size and type settings for the specified tray.
5. If this message appears even though the correct size paper is loaded in the correct paper tray perform the following.
  - Use the Tray size switch test in the Tray/Bin manual sensor test to test the switch. If it does not respond, replace the lifter drive assembly.
  - Reconnect tray connectors on the media size switch, and then reconnect connector on the DC controller to tray.
  - If the error persists, replace the lifter drive assembly.

## Sleep mode on

### Description

The printer is in sleep mode. Pressing a control panel button, receiving of a print job, or an error condition clears this message.

### Recommended action

No action necessary.

## Supplies low

### Description

Multiple supplies on the printer have reached the user defined low threshold.

### Recommended action

Replace the supply when print quality is no longer acceptable.

## Supply Memory Warning

### Description

The printer cannot read or write to the e-label or the e-label is missing.

### Recommended action

No action necessary.

## The unit has corrupt data

### Description

Data corruption has occurred in the firmware volume.

- **98.00.01:** Corrupt data in the firmware volume
- **98.00.02:** Corrupt data in the solutions volume
- **98.00.03:** Corrupt data in the configuration volume
- **98.00.04:** Corrupt data in the job data volume

### Recommended action

For **98.00.01**, **98.00.02**, and **98.00.03**, perform the following steps:

1. Turn the printer off, and then on again.
2. Use the **Format Disk** item in the **Preboot** menu.
3. Reload the firmware.

For **98.00.04**, perform the following steps:

1. Turn the printer off, and then on again.
2. Execute the file erase function.

## Too many jobs in queue

### Description

This message displays when the user selects a USB file to print, and 100 files are already in the print queue.

### Recommended action

To select another file, touch the **OK** button.

## Tray <X> [type] [size]

### Description

The paper in the specified tray is detected as the specified size and type.

The custom switch was not changed.

### Recommended action

If the paper is a custom size or type, change the custom-size switch on the tray as necessary.

## Tray <X> empty: [Type], [Size]

### Description

The specified tray is empty and the current job does not need this tray to print.

- X = 1: Tray 1
- X = 2: Tray 2
- X = 3: Tray 3
- X = 4: Tray 4
- X = 5: Tray 5

### Recommended action

Refill the tray at a convenient time.



---

**NOTE:** This could be a false message. If the tray is loaded without removing the shipping lock, the printer does not sense that the paper is loaded. Remove the shipping lock, and then load the tray.

---

## Tray <X> lifting

### Description

The printer is in the process of lifting paper in the indicated tray.

- X = 2: Tray 2
- X = 3: Tray 3
- X = 4: Tray 4
- X = 5: Tray 5

### Recommended action

No action necessary.

## Tray <X> open

### Description

The specified tray is open or not closed completely.

- X = 2: Tray 2
- X = 3: Tray 3
- X = 4: Tray 4
- X = 5: Tray 5

#### Recommended action

1. Close the tray.
2. If this message displays after the lifter drive assembly was removed or replaced, make sure that the connector of the assembly is connected correctly and fully seated.
3. If the error persists, use the Media size switches (SW102, SW2, SW3) test in the Tray/Bin manual sensor test to test the switches. If they do not respond, replace associated the lifter drive assembly.
4. If the switches do not respond, replace the associated lifter drive assembly.
  - Tray 2 — RM2-0010–000CN
  - External 550 Sheet feeder — RM2-5149–000CN

### Tray <X> overfilled

#### Description

The tray is filled above the stack-height mark.

- X = 2: Tray 2
- X = 3: Tray 3
- X = 4: Tray 4
- X = 5: Tray 5

The overfilled condition is sensed by the stack surface sensor when the tray is first closed. If the stack surface sensor does not move down (because the tray is too full), the overfilled message will be displayed and the tray will not be available for printing.

#### Recommended action

1. Open the tray and remove paper until the tray filled indicators can be seen.
2. Close the tray.
3. If the issue persists after removing paper from the tray, replace Paper Pickup Assembly.



**NOTE:** Before replacing the Paper Pickup Assembly perform the following steps.

- a. Perform a tray bin sensor test for the paper stack sensor of the tray in question.

(Example) Perform a manual sensor test for SR12 tray 2 paper surface sensor.

This test requires the activation of the tray closed lever which releases the sensor arms for the paper surface sensors.

- b. Verify that all connections from the DC Controller to the Paper pickup assembly and Lifting drive assembly are fully seated and connected. A loose or missing connection can cause this error.



- c. If this message appears after lifter drive assembly was removed or replaced, make sure that the connector on the assembly is correctly connected and fully seated.
- d. If the error persists, replace the paper pickup assembly.
  - Tray 2 — RM2-0008-000CN
  - External 550 Sheet feeder — RM2-5154-000CN

### Type mismatch Tray <X>

#### Description

The specified tray contains a paper type that does not match the configured type.

#### Recommended action

The specified tray will not be used until this condition is addressed. Printing can continue from other trays.

1. Load the correct paper in the specified tray.
2. On the printer control, make sure that the type loaded in the tray matches the specified setting for the tray.

### Unsupported drive installed To continue, touch “OK”

#### Description

A non-supported hard drive has been installed. The drive is unusable by this printer.

#### Recommended action

1. Turn the printer off.
2. Remove the hard drive.
3. Turn the printer on.

### Unsupported supply in use OR Unsupported supply installed To continue, touch “OK”

#### Description

The printer has one or more HP genuine supplies, designed for a different printer, in use.

- **10.00.41** (event code): Black print cartridge

#### Recommended action

Install the correct supplies for this printer. See the parts chapter in the service manual for supply part numbers.

### Unsupported tray configuration

#### Description

The printer has too many optional trays installed.

#### Recommended action

Turn the printer off, remove the unsupported trays, and then turn the printer on.

### Unsupported USB accessory detected Remove USB accessory

#### Description

A non-supported USB accessory has been connected.

#### Recommended action

Turn the printer off, remove the USB accessory, and then turn the printer on.

### USB accessory not functional

#### Description

A parameter in the USB accessory is not functioning correctly.

#### Recommended action

1. Turn the printer off.
2. Remove the USB accessory.
3. Insert a replacement USB accessory.
4. Turn the printer on.

### USB hubs are not fully supported Some operations may not work properly

#### Description

Some USB hubs require more power than the printer has available.

#### Recommended action

Remove the USB hub.

### USB is write protected To clear touch "OK"

#### Description

The USB device is write protected and no new files can be written to it.

#### Recommended action

Touch the OK button to clear the error.

### USB needs too much power

#### Description

Power requirements for the USB device attached to the printer are beyond supported limits.

#### Recommended action

1. Remove the USB device.
2. Turn the printer off, and then on.
3. Try a similar accessory that has its own power supply or requires less power.

### USB needs too much power Remove USB and Then Turn Off then On

#### Description

A USB accessory is drawing too much electrical current. Printing cannot continue.

#### Recommended action

1. Turn the printer off.
2. Remove the USB accessory.
3. Turn the printer on.
4. Try a similar USB accessory that has its own power supply or requires less power.

### USB not initialized

#### Description

The file system on the USB device must be initialized before it can be used.

#### Recommended action

Use the HP Embedded Web Server or HP Web Jetadmin to initialize the USB device.

### USB storage accessory removed Clearing any associated data

#### Description

This message displays for about 6 seconds after a USB device is removed.

#### Recommended action

Touch the Hide button to remove this message.

### USB storage device failure To clear touch "OK"

#### Description

The specified device failed.

#### Recommended action

Touch the OK button to clear this error.

### USB storage file operation failed To clear touch "OK"

#### Description

A PJL file system command was received that attempted to perform an invalid operation, such as downloading a file to a nonexistent directory.

#### Recommended action

Touch the OK button to clear this error.

### USB storage file system is full To clear touch “OK”

#### Description

The file system on the installed USB device is full.

#### Recommended action

Touch the OK button to clear this error.

### Used supply installed To continue, touch “OK” OR Used supply in use Description

#### Description

The toner cartridges or supplies has been previously used.

#### Recommended action

If you believe you purchased a genuine HP supply, go to [www.hp.com/go/anticounterfeit](http://www.hp.com/go/anticounterfeit).

### Verifying, Please Wait

#### Description

This message displays when the printer is retrieving a print job from device memory, but can cause the printer control panel to lock up.

The user enter the **Retrieve from Device Memory** menu to print a job. After selecting the desired print jobs, **Verifying, Please Wait** displays on the control panel. The status bar will move for a moment, and then lock up. Typically, if the user waits a few minutes, the error will clear and the job will print.

In rare cases, the message will lock up permanently and force the user to power cycle the printer.

The event log might show the following errors as a result of power cycling the printer during lockup:

- **48.05.05**
- **98.03.11**

#### Recommended action

Turn the printer off and then on again.

Make sure the firmware is the latest revision.

### Waiting for Tray <X> to lift

#### Description

The specified tray is in the process of lifting paper to the top of the tray (so it can feed correctly).

#### Recommended action

No action necessary.

## Tools for troubleshooting: Event log messages

See the control-panel message and event-log entries section of the printer troubleshooting manual for event-log entry descriptions and solutions. The event log shows the last 50 events in descending order.

**Figure 2-86** Sample event log

**Event Log** 1 HP Color LaserJet M552 Page 1

Device Information

Device Serial 3 : XXXXXX 4

<span style="border: 1px solid black; border-radius: 50%; padding: 2px;">2</span> Number	<span style="border: 1px solid black; border-radius: 50%; padding: 2px;">3</span> Date and Time	<span style="border: 1px solid black; border-radius: 50%; padding: 2px;">4</span> Cycles	<span style="border: 1px solid black; border-radius: 50%; padding: 2px;">5</span> Event	<span style="border: 1px solid black; border-radius: 50%; padding: 2px;">6</span> Firmware	<span style="border: 1px solid black; border-radius: 50%; padding: 2px;">7</span> Description or Personality	<span style="border: 1px solid black; border-radius: 50%; padding: 2px;">8</span> Consecutive Repeats
50	1/2/2014 8:28:12 AM	62	40.08.00	2302176_420411	Secure file erase is disabled	0
49	1/2/2014 8:27:41 AM	61	10.99.34	2302176_420411	Used supply in use	0
48	1/2/2014 8:25:09 AM	0	32.08.A3	2302176_420411	Normal boot up	0
47	1/2/2014 8:25:06 AM	0	33.02.02	2302176_420411	Save/Recover disabled	0
46	1/2/2014 8:24:53 AM	0	99.06.01	2302176_420411	Finisher installation successful	0
45	1/2/2014 8:21:43 AM	61	32.08.A2	2302176_420411	Normal shutdown	0
44	12/19/2013 3:05:54 PM	61	10.99.34	2302176_420411	Used supply in use	0
43	12/19/2013 2:59:26 PM	0	32.08.A3	2302176_420411	Normal boot up	0
42	12/19/2013 2:59:24 PM	0	33.02.02	2302176_420411	Save/Recover disabled	0
41	12/19/2013 2:59:11 PM	0	99.06.01	2302176_420411	Finisher installation successful	0
40	12/19/2013 2:57:38 PM	61	32.08.A2	2302176_420411	Normal shutdown	0
39	12/19/2013 2:53:14 PM	61	10.99.34	2302176_420411	Used supply in use	0
38	12/19/2013 2:45:54 PM	0	32.08.A3	2302176_420411	Normal boot up	0
37	12/19/2013 2:45:52 PM	0	33.02.02	2302176_420411	Save/Recover disabled	0
36	12/19/2013 2:45:39 PM	0	99.06.01	2302176_420411	Finisher installation successful	0
35	12/19/2013 2:44:05 PM	61	32.08.A2	2302176_420411	Normal shutdown	0
34	12/19/2013 8:30:32 AM	60	40.08.00	2302176_420411	Secure file erase is disabled	0
33	12/18/2013 2:05:44 PM	59	10.99.34	2302176_420411	Used supply in use	0
32	12/18/2013 2:03:21 PM	0	32.08.A3	2302176_420411	Normal boot up	0
31	12/18/2013 2:03:18 PM	0	33.02.02	2302176_420411	Save/Recover disabled	0
30	12/18/2013 2:03:06 PM	0	99.06.01	2302176_420411	Finisher installation successful	0
29	12/18/2013 2:01:32 PM	59	32.08.A2	2302176_420411	Normal shutdown	0
28	12/18/2013 1:54:54 PM	59	10.99.34	2302176_420411	Used supply in use	0
27	12/18/2013 1:47:09 PM	0	32.08.A3	2302176_420411	Normal boot up	0
26	12/18/2013 1:47:07 PM	0	33.02.02	2302176_420411	Save/Recover disabled	0
25	12/18/2013 1:46:54 PM	0	99.06.01	2302176_420411	Finisher installation successful	0
24	12/18/2013 1:45:19 PM	59	32.08.A2	2302176_420411	Normal shutdown	0

Jan/6/2014 2:10:37 PM English (United States)

**Table 2-50** Sample event log page

Item	Description	Item	Description
1	Printer information	5	Event log code
2	Event number	6	Firmware version number
3	Date and time	7	Description of personality
4	Engine cycles	8	Consecutive Repeats

## Print or view an event log



**NOTE:** The event log in using the [Administration](#) menu shows only a subset of events. For a complete event log, use the [Service](#) menu.

---

### Print the event log from the Administration menu (touchscreen control panel)

1. From the [Home](#) screen on the printer control panel, scroll to and touch the [Administration](#) button.
2. Open the following menus:
  - [Troubleshooting](#)
  - [Event Log](#)
3. The event log displays on the screen. To print it, touch the [Print](#) button.

### Print the event log from the Administration menu (LCD control panel)

1. From the [Home](#) screen on the printer control panel, use the down arrow ▼ button to scroll to [Administration](#), and then press the [OK](#) button.
2. Use the down arrow ▼ button to scroll to [Troubleshooting](#), and then press the [OK](#) button to select it.
3. With [Print Event Log](#) highlighted, press the [OK](#) button to print the page.

### Print the event log from the Service menu (touchscreen control panel)

1. From the [Home](#) screen on the printer control panel, scroll to and touch the [Device Maintenance](#) button.
2. Open the [Service](#) menu.
3. On the sign-in screen, select the [Service Access Code](#) option from the drop-down list.
4. Enter the following service access code for the printer:
  - 04055215 (M552)
  - 04055315 (M553)
  - 11057715 (M577)
5. The event log displays on the screen. To print it, touch the [Print](#) button.

### Print the event log from the Service menu (LCD control panel)

1. From the [Home](#) screen on the printer control panel, use the down arrow ▼ button to scroll to [Device Maintenance](#), and then press the [OK](#) button.
2. Use the down arrow ▼ button to scroll to [Service](#), and then press the [OK](#) button to select it.
3. Use the down arrow ▼ button to scroll to [Service Access Code](#), and then press the [OK](#) button to select it.
4. Enter the following service access code for the printer:



**NOTE:** After entering the PIN, press the [OK](#) button.

---

- 04055215 (M552)
  - 04055315 (M553)
  - 11057715 (M577)
5. With **Print Event Log** highlighted, press the **OK** button to print the page.

## Clear the event log


### Clear the event log from a touchscreen control panel

1. From the **Home** screen on the printer control panel, scroll to and touch the **Device Maintenance** button.
2. Open the **Service** menu.
3. On the sign-in screen, select the **Service Access Code** option from the drop-down list.
4. Enter the following service access code for the printer:
  - 04055215 (M552)
  - 04055315 (M553)
  - 11057715 (M577)
5. Select the **Clear Event Log** item, and then touch the **OK** button.

### Clear the event log from an LCD control panel

1. From the **Home** screen on the printer control panel, use the down arrow ▼ button to scroll to **Device Maintenance**, and then press the **OK** button.
2. Use the down arrow ▼ button to scroll to **Service**, and then press the **OK** button to select it.
3. Use the down arrow ▼ button to scroll to **Service Access Code**, and then press the **OK** button to select it.
4. Enter the following service access code for the printer:

---

 **NOTE:** After entering the PIN, press the **OK** button.

---

- 04055215 (M552)
  - 04055315 (M553)
  - 11057715 (M577)
5. Use the down arrow ▼ button to scroll to **Clear Event Log**, and then press the **OK** button.

# Solve image-quality problems

- [Improve print quality](#)

## Improve print quality

Use the information in this section to diagnose and solve image-quality problems.



**NOTE:** Often print-quality problems can be resolved easily by making sure that the printer is well-maintained, using paper that meets HP specifications, or running a cleaning page.

---

## Color band test

The color-band test page shows bands of colors that can indicate whether the printer is producing colors correctly.

### Access the color band test from a touchscreen control panel

1. From the [Home](#) screen on the printer control panel, scroll to and touch the [Administration](#) button.
2. Open the following menus:
  - [Troubleshooting](#)
  - [Print Quality Pages](#)
  - [Color Band Test](#)
3. Touch the [Print Test page](#) button, and then touch the [Print](#) button to print the pages.

### Access the color band test from an LCD control panel


1. From the [Home](#) screen on the printer control panel, use the down arrow ▼ button to scroll to [Administration](#), and then press the [OK](#) button.
2. Use the down arrow ▼ button to scroll to [Troubleshooting](#), and then press the [OK](#) button to select it.
3. Use the down arrow ▼ button to scroll to [Print Quality Pages](#), and then press the [OK](#) button to select it.
4. Use the down arrow ▼ button to scroll to [Color Band Test](#), and then press the [OK](#) button to select it.





## Repetitive image defect ruler

When troubleshooting the source of some print image defects, one solution is to identify if it is a repetitive defect (does the print quality defect appear multiple times on the printed page?). If this is the case, use a ruler to measure occurrences of repetitive image defects to help solve image-quality problems. For more information, see [Use a ruler to measure between repetitive defects on page 394](#).

Place the ruler next to the first occurrence of the defect on the page. Find the distance between identical defects and use the table below to identify the component that is causing the defect.

 **IMPORTANT:** Do not use solvents or oils to clean rollers. Instead, rub the roller with lint-free paper. If dirt is difficult to remove, rub the roller with lint-free paper that has been dampened with water.

 **NOTE:** Defects on the tray pickup rollers or the Tray 1 pickup roller do not cause a repetitive defect. Defects on these rollers cause a defect to appear only on the leading edge of the image.

 **TIP:** To make a printer specific repetitive defect ruler, use a metric ruler to transfer the measurements in [Table 2-51 Repetitive defects on page 393](#) to a transparency or the edge of a piece of paper—clearly label each ruler mark with the associated defective assembly.

**Table 2-51 Repetitive defects**

Assembly	Distance between defects
Primary charging roller <sup>1</sup>	27 mm (1.06 in)
Developer roller <sup>1</sup>	32 mm (1.26 in)
Registration roller	42 mm (1.65 in)
Secondary transfer roller	50 mm (1.97 in)
Fuser film <sup>2</sup>	58 mm (2.28 in)
Pressure roller <sup>2</sup>	69 mm (2.83 in)
Photosensitive drum <sup>1</sup>	75 mm (2.95 in)


<sup>1</sup> The primary charging roller, photosensitive drum and developer roller cannot be cleaned. If any of these rollers are indicated, replace the toner cartridge.

<sup>2</sup> The primary fuser sleeve unit or pressure roller cannot be cleaned because they are internal assemblies in the fuser. If one of these assemblies is causing the defect, replace the fuser.

## Use a ruler to measure between repetitive defects

The figures in this section shows color repetitive defect pages. However, the process for measuring repetitive defects is valid for mono pages.

1. Identify a repetitive defect on the page.

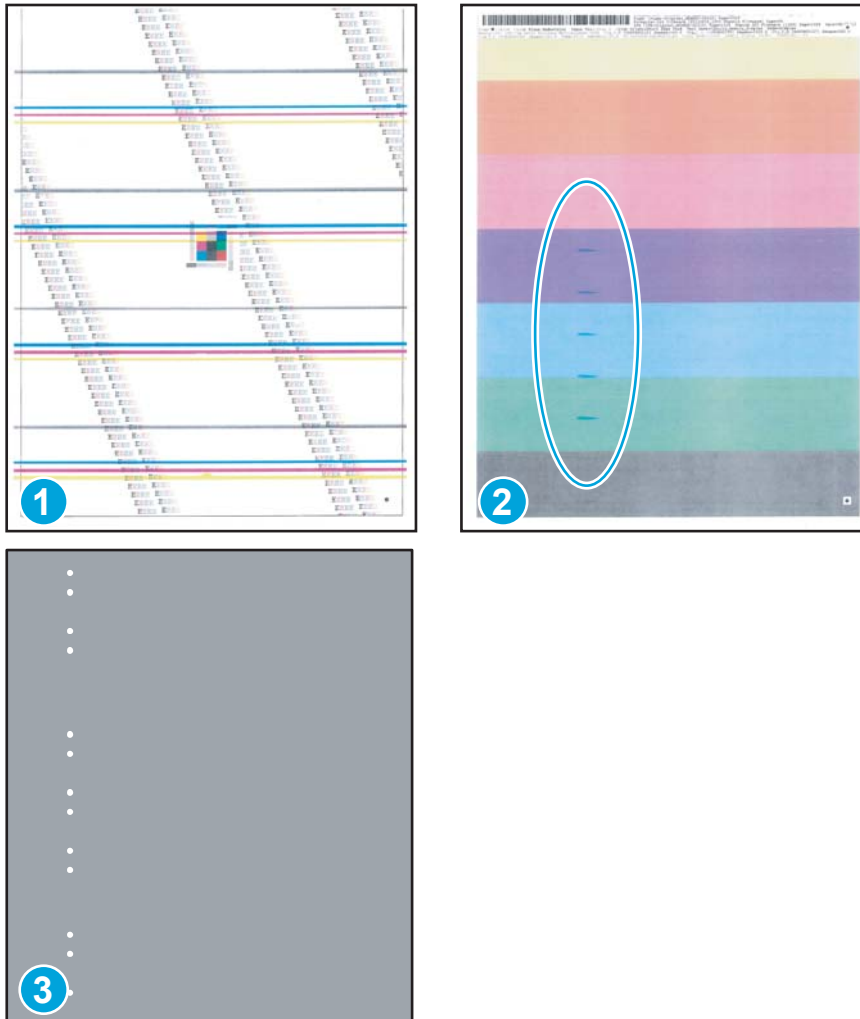
 **TIP:** Print a cleaning page to see if that resolves the defect.

The example pages below show the following types of repetitive defects.

 **NOTE:** These are examples only, other types of repetitive defects might appear on a page.

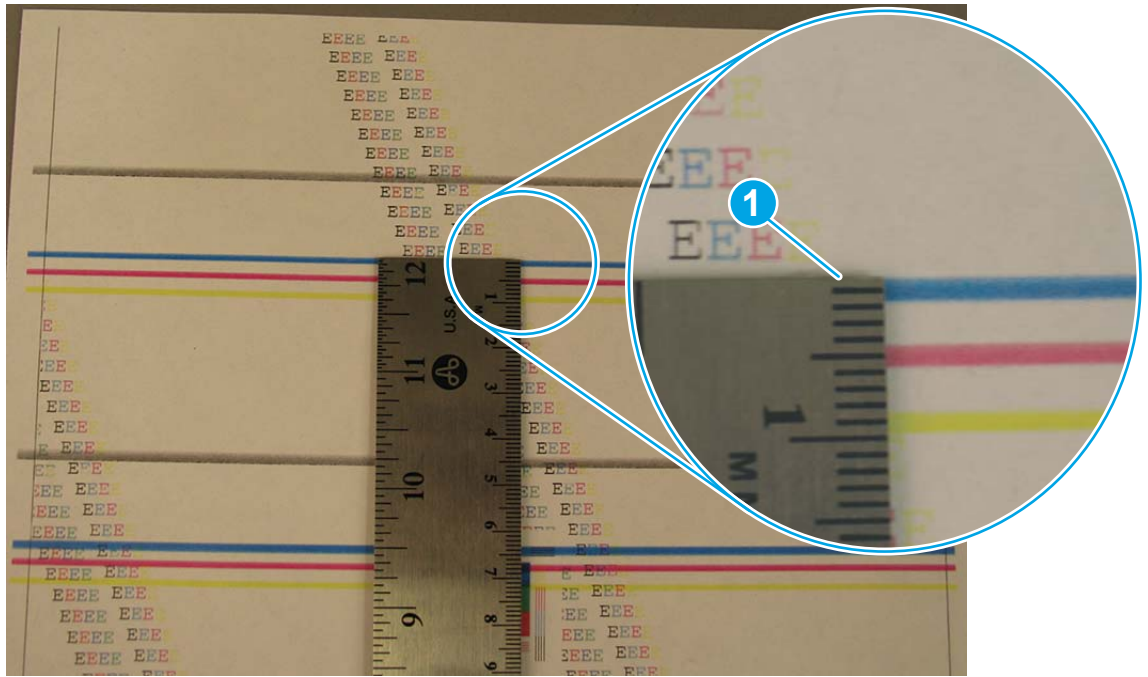
- Lines (callout 1)
- Smudges (callout 2)
- Dots or spots (callout 3)

**Figure 2-87** Examples of repetitive defects



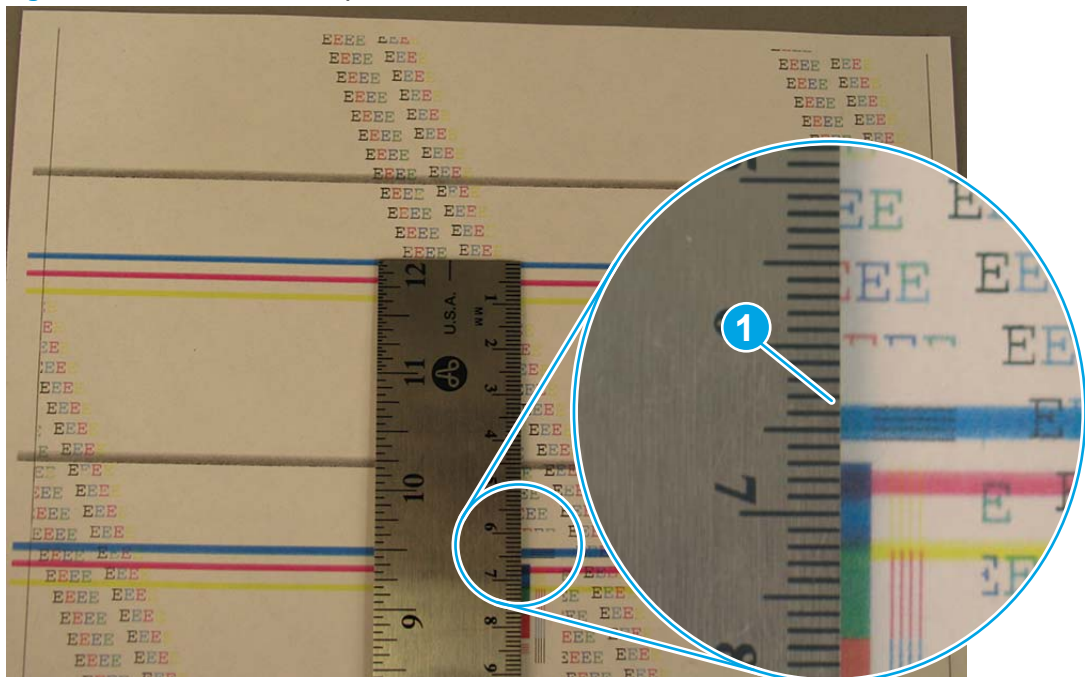
2. Position a metric ruler on the page with the “zero” ruler mark at one occurrence of the defect (callout 1).

**Figure 2-88** Place the ruler on the page




3. Locate the next occurrence of the defect (callout 1).

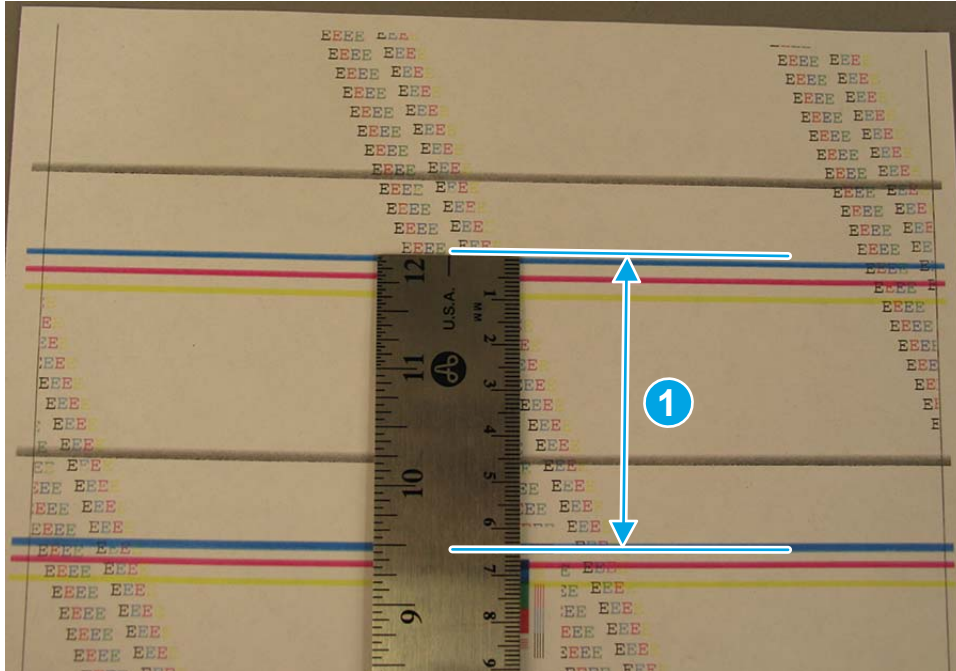
**Figure 2-89** Locate the next repetitive defect



4. Measure the distance (in millimeters) between the two occurrences (callout 1), and then use [Table 2-51 Repetitive defects on page 393](#) to determine the defective assembly.

 **TIP:** Always measure from and to the same point on the defects. For example, if the ruler is “zeroed” at the top edge of a defect, measure to the top edge of the next occurrence of that defect.

**Figure 2-90** Determine the defective assembly



## Print-quality troubleshooting pages

Use the print-quality-troubleshooting pages to help diagnose and solve color print-quality problems.



**NOTE:** To get further assistance in print quality troubleshooting, go to [www.hp.com/support/colorljM552](http://www.hp.com/support/colorljM552), [www.hp.com/support/colorljM553](http://www.hp.com/support/colorljM553), [www.hp.com/support/colorljM577MFP](http://www.hp.com/support/colorljM577MFP) and select PQ Troubleshooting Tools.

---

### Print the print-quality troubleshooting pages from a touchscreen control panel

1. From the **Home** screen on the printer control panel, scroll to and touch the **Administration** button.
2. Open the following menus:
  - **Troubleshooting**
  - **Print Quality Pages**
  - **Print PQ Troubleshooting Page**
3. Touch the **Print** button. The printer prints several print-quality troubleshooting pages.

### Print the print-quality troubleshooting pages from an LCD control panel

1. From the **Home** screen on the printer control panel, use the down arrow ▼ button to scroll to **Administration**, and then press the **OK** button.
2. Use the down arrow ▼ button to scroll to **Troubleshooting**, and then press the **OK** button.
3. Use the down arrow ▼ button to scroll to **Print Quality Pages**, and then press the **OK** button to print the page.
4. Use the down arrow ▼ button to scroll to **Print PQ Troubleshooting Page**, and then press the **OK** button to print the page.

Follow the instructions on the print-quality troubleshooting procedure page.



**NOTE:** The printer returns to the **Ready** state after printing the print-quality-troubleshooting pages. Follow the instructions on the pages that print out.

---

**Figure 2-91** Print-quality troubleshooting procedure



**Figure 2-92** Yellow print-quality troubleshooting page

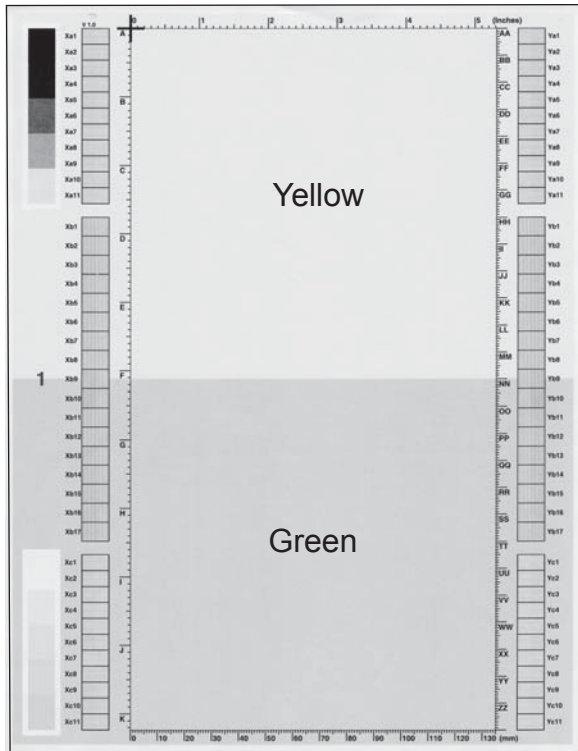
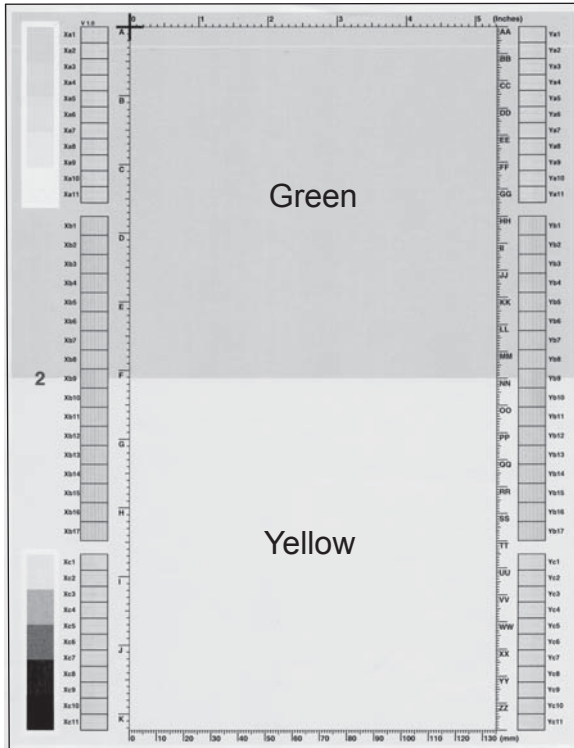
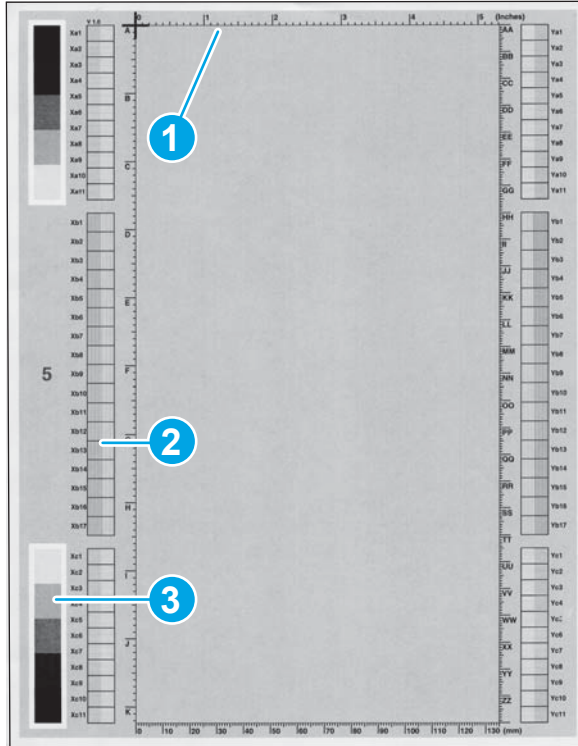


Figure 2-93 Yellow comparison page



Yellow cannot be easily seen unless combined with cyan, so half of each page is yellow and the other half is an amplified version of yellow print problems (green half). Compare the yellow on page one with the corresponding green on page two for defects. Also check the cyan page for defects.

**Figure 2-94** Black print-quality troubleshooting page



**1. Grids**

The grids are in inches and millimeters. They are labeled with letters and numbers so that defects can be described by position and by distance between repeats.

**2. Color plane registration (CPR) bars**

After printing, the box with no extra color in each area on each page shows how far off the CPR of that color is. Each page has two process direction areas and three scan direction areas that are labeled x and y and 1–11. The page should be fed by the long edge. Each square from the center equals 42 microns.

**3. Color ramp patches**

Used to detect offset for the OPC or developer in the image drum or offset in the fuser.



**NOTE:** To get further assistance in print quality troubleshooting, go to [www.hp.com/support/colorljM552](http://www.hp.com/support/colorljM552), [www.hp.com/support/colorljM553](http://www.hp.com/support/colorljM553), [www.hp.com/support/colorljM577MFP](http://www.hp.com/support/colorljM577MFP) and select PQ Troubleshooting Tools.



## Print-quality assessment page

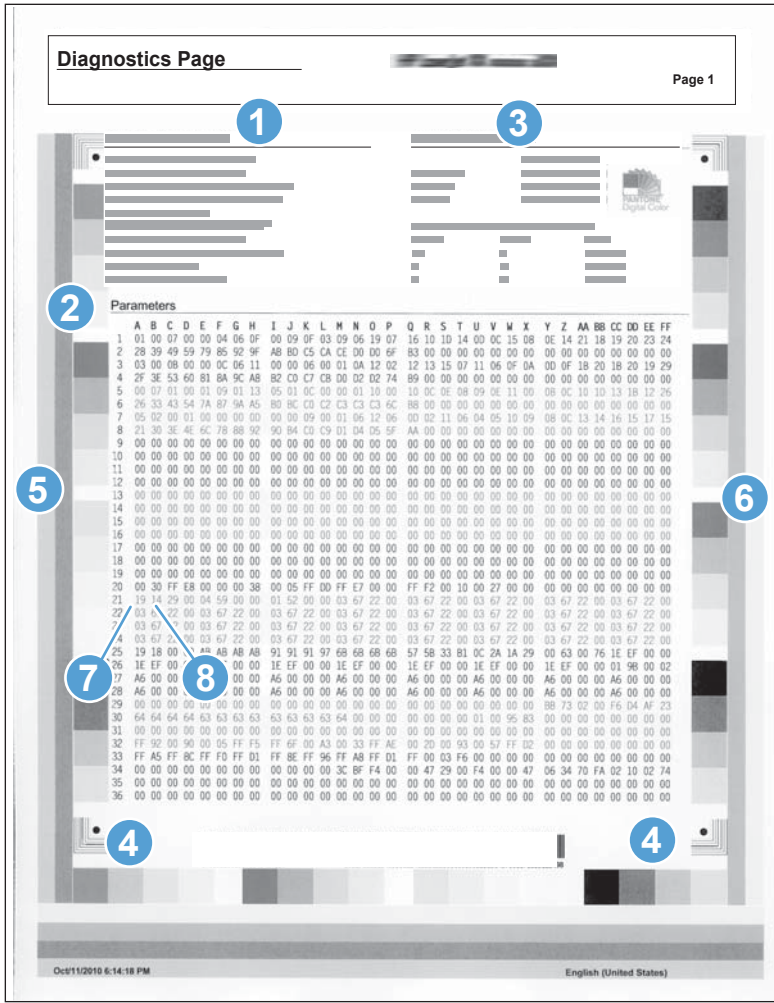
Use the diagnostics page to evaluate problems with color plane registration, EP parameters, and print quality.

### Print a print-quality assessment page from a touchscreen control panel

1. From the [Home](#) screen on the printer control panel, scroll to and touch the [Administration](#) button.
2. Open the following menus:
  - [Troubleshooting](#)
  - [Print Quality Pages](#)
  - [Diagnostics Page](#)
3. Touch the [Print](#) button.

### Print a print-quality assessment page from an LCD control panel

1. From the [Home](#) screen on the printer control panel, use the down arrow ▼ button to scroll to [Administration](#), and then press the [OK](#) button.
2. Use the down arrow ▼ button to scroll to [Troubleshooting](#), and then press the [OK](#) button.
3. Use the down arrow ▼ button to scroll to [Print Quality Pages](#), and then press the [OK](#) button to print the page.
4. Use the down arrow ▼ button to scroll to [Diagnostics Page](#), and then press the [OK](#) button to print the page.



1	Calibration information
2	Parameters
3	Color density
4	Color plane registration
5	Primary colors
6	Secondary colors
7	Temperature values (21A)
8	Humidity values (21B)

**Print from a different software program**

Try printing from a different software program. If the page prints correctly, the problem is with the original software program.

## Check the paper-type setting for the print job

Check the paper type setting when printing from a software program and the printed pages have smears, fuzzy or dark print, curled paper, scattered dots of toner, loose toner, or small areas of missing toner.

### Check the paper type setting (Windows)

1. From the software program, select the **Print** option.
2. Select the printer, and then click the **Properties** or **Preferences** button.
3. Click the **Paper/Quality** tab.
4. From the **Paper Type** drop-down list, click the **More...** option.
5. Expand the list of **Type is:** options.
6. Expand the category of paper types that best describes your paper.
7. Select the option for the type of paper you are using, and click the **OK** button.
8. Click the **OK** button to close the **Document Properties** dialog box. In the **Print** dialog box, click the **OK** button to print the job.

### Check the paper type setting (Mac OS X)

1. Click the **File** menu, and then click the **Print** option.
2. In the **Printer** menu, select the printer.
3. By default, the print driver displays the **Copies & Pages** menu. Open the menus drop-down list, and then click the **Finishing** menu.
4. Select a type from the **Media Type** drop-down list.
5. Click the **Print** button.

## Check toner-cartridge status

### Print the supplies status page from a touchscreen control panel

1. From the **Home** screen on the printer control panel, scroll to and touch the **Administration** button.
2. Open the following menus:
  - **Reports**
  - **Configuration/Status Pages**
3. Touch **Supplies Status Page**, and then press the **Print** button to print the page.

### Print the supplies status page from an LCD control panel

1. From the **Home** screen on the printer control panel, use the down arrow ▼ button to scroll to **Administration**, and then press the **OK** button.
2. Open the following menus:

- [Reports](#)
  - [Configuration/Status Pages](#)
3. Use the down arrow ▼ button to scroll to [Supplies Status](#), and then press the **OK** button to select it.
  4. Use the up arrow ▲ button to scroll to [Print](#), and then press the **OK** button to print the page.

Check the supplies status page for the following information:

- Estimated percentage of cartridge or cartridges life remaining
- Approximate pages remaining
- Part number or numbers for HP toner cartridge or cartridges
- Number of pages printed

## Clean the printer

During the printing process paper, toner, and dust particles can accumulate inside the printer and can cause print-quality issues such as toner specks or spatter, smears, streaks, lines, or repeating marks.

### Print a cleaning page

#### Print the cleaning from a touchscreen control panel

1. From the [Home](#) screen on the printer control panel, scroll to and touch the [Device Maintenance](#) button.
2. Open the following menus:
  - [Calibration/Cleaning](#)
3. Touch [Cleaning Page](#), and then press the **OK** button to print the page.
4. The cleaning process can take several minutes. When it is finished, discard the printed page.

#### Print the cleaning page from an LCD control panel

1. From the [Home](#) screen on the printer control panel, use the down arrow ▼ button to scroll to [Device Maintenance](#), and then press the **OK** button.
2. Use the down arrow ▼ button to scroll to [Calibration/Cleaning](#), and then press the **OK** button.
3. If necessary, use the down arrow ▼ button to scroll to [Cleaning](#), and then press the **OK** button to print the page.
4. Follow the instruction on the printed cleaning page to finish the cleaning page process.

## Visually inspect the toner cartridge or cartridges

1. Remove the toner cartridge or cartridges from the printer, and verify that the sealing tape has been removed.
2. Check the memory chip for damage.
3. Examine the surface of the imaging drum on the cartridge.

---

**⚠ CAUTION:** Do not touch the roller (imaging drum). Fingerprints on the imaging drum can cause print-quality problems.

---

4. If you see any scratches, fingerprints, or other damage on an imaging drum, replace the toner cartridge or cartridges.
5. If the imaging drum does not appear to be damaged, rock the toner cartridge or cartridges gently several times and reinstall it. Print a few pages to see if the problem has resolved.

## Check paper and the printing environment

### Step one: Use paper that meets HP specifications

- Always use a paper type and weight that this printer supports.
- Use paper that is of good quality and free of cuts, nicks, tears, spots, loose particles, dust, wrinkles, voids, staples, and curled or bent edges.
- Use paper that has not been previously printed on.
- Use paper that does not contain metallic material, such as glitter.
- Use paper that is designed for use in laser printers. Do not use paper that is designed only for use in Inkjet printers.
- Use paper that is not too rough. Using smoother paper generally results in better print quality

### Step two: Check the environment

The environment can directly affect print quality and is a common cause for print-quality or paper-feeding issues. Try the following solutions:

- Move the printer away from drafty locations, such as open windows or doors, or air-conditioning vents.
- Make sure the printer is not exposed to temperatures or humidity outside of printer specifications.
- Do not place the printer in a confined space, such as a cabinet.
- Place the printer on a sturdy, level surface.
- Remove anything that is blocking the vents on the printer. The printer requires good air flow on all sides, including the top.
- Protect the printer from airborne debris, dust, steam, grease, or other elements that can leave residue inside the printer.

## Calibrate the printer

Calibration is a printer function that optimizes print quality. If you experience any image-quality problems, calibrate the printer.

### Calibrate the printer from a touchscreen control panel

1. From the [Home](#) screen on the printer control panel, scroll to and touch the [Device Maintenance](#) button.
2. Open the following menus:
  - [Calibration/Cleaning](#)

3. Touch [Full Calibrate](#) or [Quick Calibrate](#) to start the calibration process.
4. Wait while the printer calibrates, and then try printing again.

### Calibrate the printer from an LCD control panel

1. From the [Home](#) screen on the printer control panel, use the down arrow ▼ button to scroll to [Device Maintenance](#), and then press the [OK](#) button.
2. Use the down arrow ▼ button to scroll to [Calibration/Cleaning](#), and then press the [OK](#) button.
3. If necessary, use the down arrow ▼ button to scroll to [Full Calibrate](#) or [Quick Calibrate](#), and then press the [OK](#) button to start the calibration process.
4. Wait while the printer calibrates, and then try printing again.

### Use manual print modes

Try the following manual print modes to see if they solve the image-quality problems.



**NOTE:** Tray 1 and Tray 2 are optimal for paper pickup when using special paper or media other than 20lb plain paper. For Tray 1 and Tray 2 the printer increases the number of attempts to pick up a page, which increases the reliability of successfully picking the page from the tray and decreases the possibility of a mis-pick jam.

HP recommends using Tray 1 or Tray 2 if the printer is experiencing excessive or reoccurring jams from trays other than Tray 1 and Tray 2, or for print jobs that require media other than 20lb plain paper.

### Select a manual print mode from a touch screen control panel

1. From the [Home](#) screen on the printer control panel, scroll to and touch the [Administration](#) button.
2. Open the following menus:
  - [General Settings](#)
  - [Print Quality](#)
  - [Adjust Paper Types](#) or [Optimize](#)
3. Select a paper type, and then select the mode to adjust.
4. Select a value for the mode, and then touch the [Save](#) button.

### Select a manual print mode from an LCD control panel

1. From the [Home](#) screen on the printer control panel, use the down arrow ▼ button to scroll to [Administration](#), and then press the [OK](#) button.
2. Use the down arrow ▼ button to scroll to [General Settings](#), and then press the [OK](#) button.
3. Use the down arrow ▼ button to scroll to [Print Quality](#), and then press the [OK](#) button.
4. Use the down arrow ▼ button to scroll to [Adjust Paper Types](#) or [Optimize](#), and then press the [OK](#) button.

**Table 2-52 Print modes under the Adjust Paper Types submenu**

---

Print Mode	<ul style="list-style-type: none"><li>• Plain</li><li>• HP EcoSMART Lite</li><li>• HP Matte 105g</li><li>• HP Matte 120g</li><li>• HP Matte 150g</li><li>• HP Matte 200g</li><li>• HP Soft Glossy 120g</li><li>• HP Soft Glossy 150g</li><li>• HP Soft Glossy 200g</li><li>• Light 60-74g</li><li>• HP Mid-Weight 90-110g</li><li>• Heavy 111-130g</li><li>• Extra Heavy 131-175g</li><li>• Cardstock 176-220g</li><li>• Mid-Wt Glossy 96-110g</li><li>• Hvy Glossy 111-130g</li><li>• XHvyGlossy 131-175g</li><li>• Card Glossy 176-220g</li><li>• Color Transparency</li><li>• Labels</li><li>• Letter Head</li><li>• Envelope</li><li>• Preprinted</li><li>• Prepunched</li><li>• Colored</li><li>• Bond</li><li>• Recycled</li><li>• Rough</li><li>• Opaque Film</li><li>• Restore Modes</li></ul>
------------	--

---

**Table 2-53 Print modes under the Optimize submenu**

---

Normal Paper	Set to <b>Smooth</b> when printing on smooth paper of normal weight.
--------------	--

---

**Table 2-53 Print modes under the Optimize submenu (continued)**


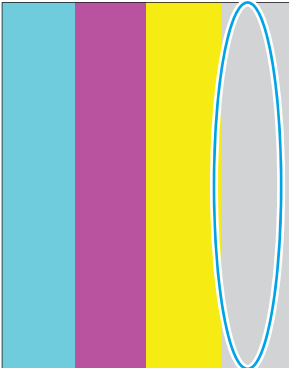

Heavy Paper	Set to <a href="#">Smooth</a> when printing on smooth, heavy media types.
Envelope Control	Set to <a href="#">Reduced Temp</a> if envelopes are sticking due to moisture in the envelop adhesive.
Tray 1	Set the mode to <a href="#">Alternate</a> if marks appear on the back side of the paper when printing from Tray 1. This sets the printer to initiate a clean sequence every time a job finishes when the printer is set for <a href="#">Any Size</a> and <a href="#">Any Type</a> for Tray 1.
Background	Set to <a href="#">Alternate 1</a> when a background occurs all over the page.
Uniformity Control	Set to <a href="#">Alternate 1</a> to improve uniformity on any paper type.
Tracking Control	Improves color stability by adjusting the bias voltage. Make sure this mode is set to <a href="#">On</a> .
Registration	Set to <a href="#">Alternate</a> when color misregistration occurs.
Transfer control	Set to <a href="#">Alternate 1</a> to reduce primary transfer bias and to resolve low density or blotchy images.
Restore Optimize	Use <a href="#">Restore Optimize</a> to reset the menu defaults.





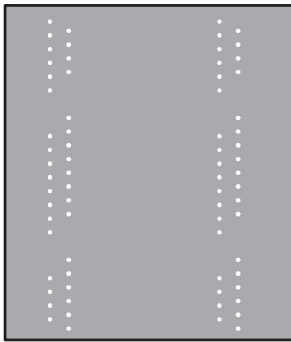
## Image defects table

The following examples depict letter-size paper that has passed through the printer short-edge first. These examples illustrate problems that would affect all the printed pages, whether they are printed in color or in black only.

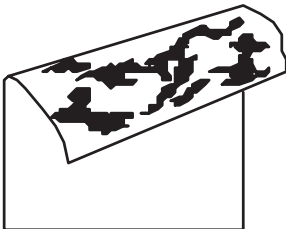
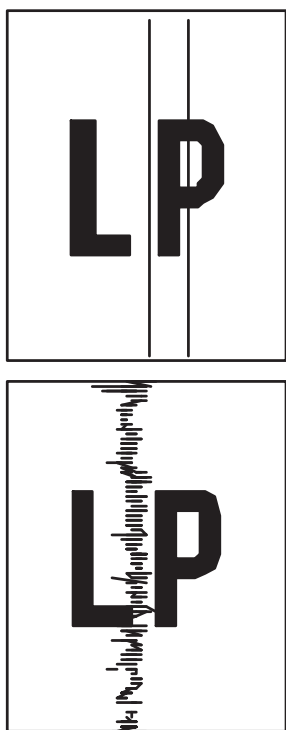

**Table 2-54 Image defects table**

Problem	Sample	Cause	Solution
Print is light or faded on entire page.		<p>Poor contacts exist on the ITB unit and the printer grounding unit.</p> <p>Poor secondary transfer contacts exist on the secondary transfer roller and the ITB.</p>	<p>Clean the grounding contacts. If the problem remains after cleaning, check the contacts for damage. Replace any deformed or damaged parts.</p> <p>Clean the contacts. If the problem remains after cleaning, check the contacts for damage. Replace any deformed or damaged parts.</p>
Print is light or faded in a particular color.		<p>Poor primary transfer bias (T1) contacts on the ITB unit and printer.</p> <p>Poor primary charging bias contacts with the toner cartridge and printer.</p> <p>Poor developing bias contacts with the toner cartridge and printer.</p>	<p>Clean the contacts of the color that produces the light print. If the problem remains after cleaning, check the contacts for damage. Replace any deformed or damaged parts.</p>
Print is too dark.		<p>Defective registration density sensor.</p>	<p>Replace the registration density sensor.</p>




**Table 2-54 Image defects table (continued)**

Problem	Sample	Cause	Solution
Page is blank.		The high-voltage power-supply D is defective (no developing bias output).	Replace the high-voltage power supply D.
The page is solid black or a solid color.		Poor contact exists in the primary charging bias or developing bias contacts between the toner cartridge and the printer.	Clean each contact of the color that produces the all black or solid color. If the problem remains after cleaning, check the contacts for damage. Replace any deformed or damaged parts. Replace the affected toner cartridge.
White spots appear in the image.		The static eliminator is dirty.	Clean the static eliminator.
		The primary transfer roller is deformed or has deteriorated	Replace the ITB.
		The secondary transfer roller is deformed or has deteriorated.	Replace the secondary transfer roller assembly.

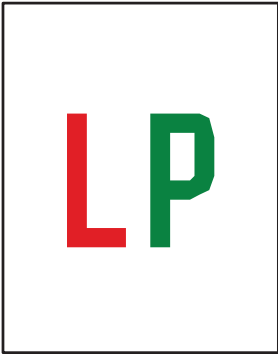
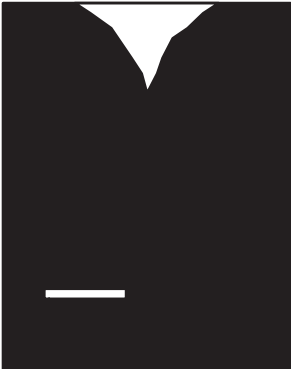
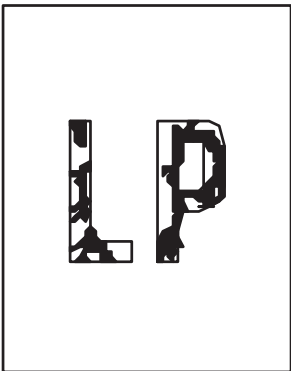
**Table 2-54 Image defects table (continued)**

Problem	Sample	Cause	Solution
The back of the page is dirty.		<p>The secondary transfer roller is dirty.</p> <p>The fuser inlet guide or separation guide is dirty.</p> <p>The pressure roller is dirty.</p>	<p>Replace the secondary transfer roller.</p> <p>Clean the dirty parts. If the dirt does not come off, replace the guide.</p> <p>Run the cleaning page several times. If the issue persists, replace the fuser.</p>
Vertical streaks or bands appear on the page.		<p>Scratches are present on the circumference of the developing cylinder or photosensitive drum.</p> <p>Scratches are present on the circumference of the fuser roller.</p> <p>Scratches are present on the circumference of the ITB.</p> <p>The ITB drive roller is deformed or has deteriorated.</p> <p>The ITB cleaning mechanism is malfunctioning.</p>	<p>Replace the toner cartridge of the color that matches the defect.</p> <p>Replace the fuser.</p> <p>Replace the ITB.</p>
Vertical white lines appear in a particular color.		<p>An unknown substance has adhered to the laser beam window.</p> <p>Scratches are present on the circumference of the developing roller or photosensitive drum.</p> <p>The laser/scanner-unit mirror is dirty.</p>	<p>Remove any unknown substances.</p> <p>Replace the affected toner cartridge.</p> <p>Replace the laser/scanner assembly.</p>


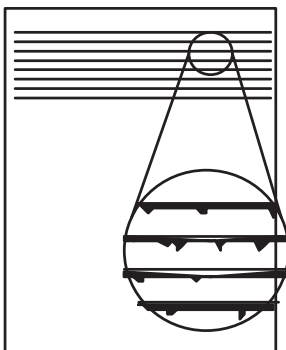
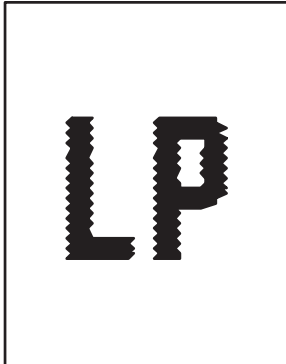
**Table 2-54 Image defects table (continued)**

<b>Problem</b>	<b>Sample</b>	<b>Cause</b>	<b>Solution</b>
Vertical white lines appear in all colors.		Horizontal scratches on the fuser roller.	Replace the fuser.
		Scratches are present on the circumference of the ITB.	Replace the ITB.
Horizontal lines appear on the page.		Repetitive horizontal lines appear.	Use the repetitive defects ruler to identify the dirty roller. Clean the roller. If the roller cannot be cleaned, replace the fuser.
		Horizontal scratches are present on the photosensitive drum.	Replace the toner cartridge of the color that matches the defect.
		Horizontal scratches are present on the fuser roller.	Replace the fuser.
A horizontal white line displays on the page.		Repetitive horizontal white lines appear.	Use the repetitive defects ruler to identify the dirty roller. Clean the roller. If the roller cannot be cleaned, replace the roller.
		Horizontal scratches are present on the photosensitive drum.	Replace the toner cartridge of the color that matches the defect.
		Scratches are present on the circumference of the ITB.	Replace the ITB.



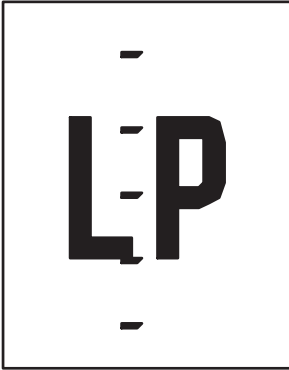

**Table 2-54 Image defects table (continued)**

Problem	Sample	Cause	Solution
Image in a particular color does not print in the correct color.		Poor contact exists in the primary charging bias or developing bias contacts between the toner cartridge and the printer.	Clean each contact of the color that produces the missing color. If the problem remains after cleaning, check the contacts for damage. Replace any deformed or damaged parts.
		The toner cartridge (primary charging roller, developing roller, or photosensitive drum) is defective.	Replace the toner cartridge of the color that matches the defect.
		The high-voltage power-supply D is defective (no primary charging bias or developing bias output).	Replace the high-voltage power supply D.
		The laser/scanner unit is defective.	Replace the laser/scanner assembly.
Dropouts appear.		The secondary transfer roller is deformed or has deteriorated.	Replace the secondary-transfer-roller.
		The primary charging roller, developing roller, or photosensitive drum is deformed or has deteriorated.	Replace the toner cartridge of the color that matches the defect.
		The fuser roller is deformed or has deteriorated.	Replace the fuser.
		The high-voltage power-supply T is defective (no transfer bias output).	Replace the high-voltage power-supply T.
The toner is not fully fused to the paper.		The fuser roller or pressure roller is scarred or deformed.	Replace the fuser.
		The fuser control circuit is defective.	Replace the fuser-power supply (FPS).
		The thermistor is defective.	Replace the fuser.
		The fuser heater is defective.	



**Table 2-54 Image defects table (continued)**

Problem	Sample	Cause	Solution
Some color is misregistered.		The printer is incorrectly calibrated.	Calibrate the printer.
		The ITB unit is defective.	If the ITB does not rotate smoothly or a cleaning malfunction occurs (ITB is dirty), replace the ITB.
		The drive gear of the drum motor (ITB drive motor) is worn or chipped.	Check each drive gear between the ITB drive roller and the ITB motor. If the gear is worn or chipped, replace the main drive assembly.
		The registration density sensor is defective.	Open and close the front door several times to clean the registration density sensor. If the problem persists, replace the registration density sensor.
		The laser/scanner unit is defective.	Replace the laser/scanner assembly.
		The toner cartridge is defective.	Replace the toner cartridge of the affected color.
Toner smears appear on the paper.		The printer has residual paper.	Remove the residual paper.
		The fuser inlet guide is dirty.	Clean the fuser inlet guide.
		Poor grounding contact exists in the toner cartridge.	Replace the toner cartridge of the color that matches the defect.
The printed page contains malformed characters.		The printer is experiencing page skew.	See the “Text or graphics are skewed on the printed page” row in this table.
		The laser/scanner unit is defective.	Replace the laser/scanner assembly.

**Table 2-54 Image defects table (continued)**

Problem	Sample	Cause	Solution
Text or graphics are skewed on the printed page.		<p>The registration shutter spring is unhooked.</p> <p>The registration shutter spring is deformed.</p>	<p>Check the spring and place it in the correct position.</p> <p>Replace the secondary transfer assembly.</p>
The printed page contains wrinkles or creases.		<p>The roller or paper feed guide is dirty.</p> <p>A feed roller is deformed or has deteriorated.</p> <p>The paper feed guide is damaged.</p>	<p>Clean any dirty components.</p> <p>Replace any deformed or deteriorated rollers.</p> <p>Replace the paper-feed-guide unit.</p>
The front of the page is dirty.		<p>The photosensitive drum is dirty.</p> <p>The fuser roller or pressure roller is dirty.</p>	<p>Replace the toner cartridge of the color that matches the defect.</p> <p>Execute a <a href="#">fuser roller clean mode</a> procedure. If the dirt does not come off, replace the fuser.</p> <p><b>NOTE:</b> Cleaning the fuser with HP tough paper provides better results than with plain paper. The cleaning process might need to be executed several times to remove all contaminants on the fuser.</p>
Repetitive horizontal lines appear.			<p>See repetitive image defect table. Clean the indicated roller. If the contaminant does not come off, replace appropriate roller or assembly.</p>

**Table 2-54 Image defects table (continued)**

Problem	Sample	Cause	Solution
Vertical density variations appear in a particular color.		The surface of the photosensitive drum has deteriorated.	Replace the toner cartridge associated with the defect.
		The laser/scanner is defective.	Replace the laser/scanner assembly
Repetitive white spots appear in the image.		Repetitive white spots appear in the image.	See the repetitive image defect table. Clean the indicated roller. If the contaminant does not come off, replace appropriate roller or assembly.
		The secondary transfer roller is deformed or has deteriorated.	Replace the secondary transfer roller assembly.
		An unknown substance has adhered to the primary charging roller or photosensitive drum.	Replace the toner cartridge associated with the defect.
		The ITB is dirty.	Print approximately 20 pages with a solid colored image.
		The ITB is damaged.	Replace the ITB.



# Clean the printer



**NOTE:** To clean the printer exterior, use a soft, water-moistened cloth.

- [Clean the paper path](#)
- [Print a cleaning page](#)
- [Clean the Tray 1 rollers](#)
- [Clean the Tray 2-X rollers](#)
- [Check the scanner glass for dirt and smudges \(M577 only\)](#)
- [Clean the pickup rollers and separation pad in the document feeder \(M577 only\)](#)

## Clean the paper path

Over time, particles of toner and paper accumulate inside the printer. This can cause print-quality problems during printing. Cleaning the paper path eliminates or reduces these problems.

Clean the paper path and toner-cartridge areas every time that the toner cartridge is changed or whenever print-quality problems occur. As much as possible, keep the printer free from dust and debris.

## Print a cleaning page

### Print the cleaning from a touchscreen control panel

1. From the [Home](#) screen on the printer control panel, scroll to and touch the [Device Maintenance](#) button.
2. Open the following menus:
  - [Calibration/Cleaning](#)
3. Touch [Cleaning Page](#), and then press the [OK](#) button to print the page.
4. The cleaning process can take several minutes. When it is finished, discard the printed page.

### Print the cleaning page from an LCD control panel

1. From the [Home](#) screen on the printer control panel, use the down arrow ▼ button to scroll to [Device Maintenance](#), and then press the [OK](#) button.
2. Use the down arrow ▼ button to scroll to [Calibration/Cleaning](#), and then press the [OK](#) button.
3. If necessary, use the down arrow ▼ button to scroll to [Cleaning](#), and then press the [OK](#) button to print the page.
4. Follow the instruction on the printed cleaning page to finish the cleaning page process.

## Clean the Tray 1 rollers

### Step 1: Remove the Tray 1 pickup roller

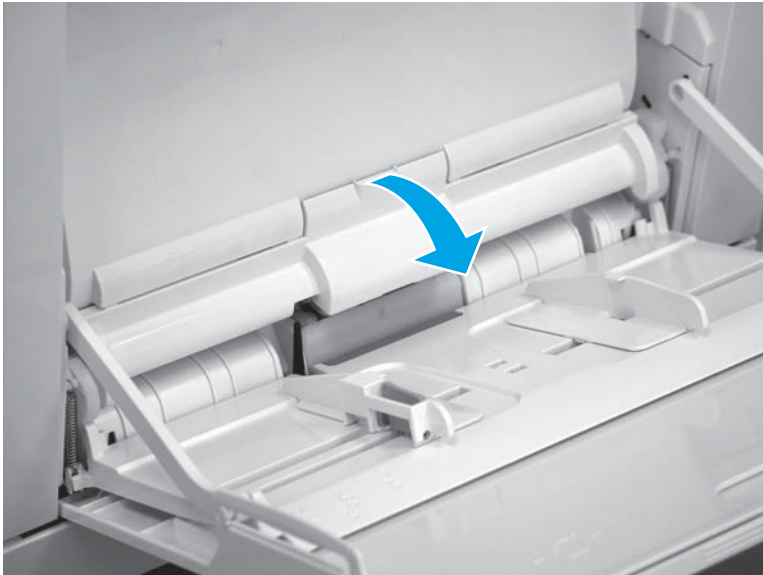
1. Open Tray 1.

**Figure 2-95** Open Tray 1



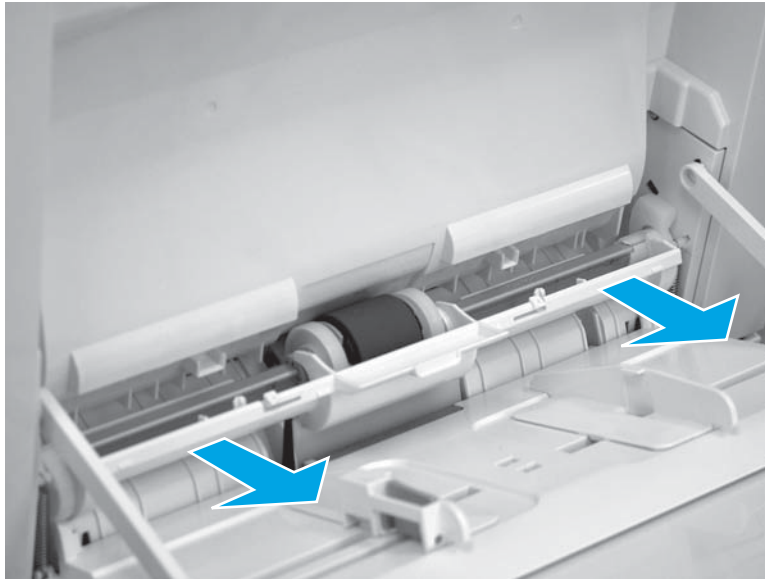
2. Pull on the center of the cover to open it.

**Figure 2-96** Open the roller cover




3. Pull the cover straight off of the printer to remove it.

**Figure 2-97** Remove the cover



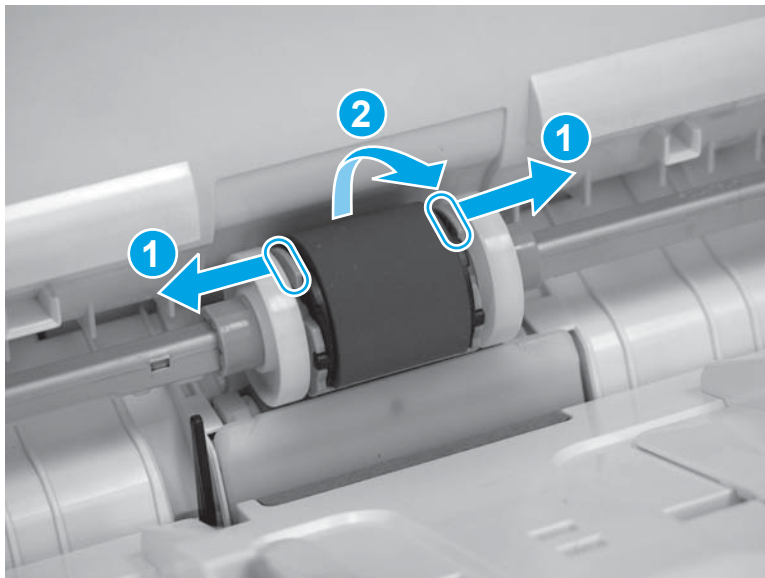
4. Release two tabs (callout 1) between the roller collar and roller, and then rotate the top of the roller (callout 2) out and away from the printer.

---

 **TIP:** Pushing down on the top of the roller might make it easier to release the tabs.

---

**Figure 2-98** Release two tabs



5. Remove the roller.

**Figure 2-99** Remove the roller

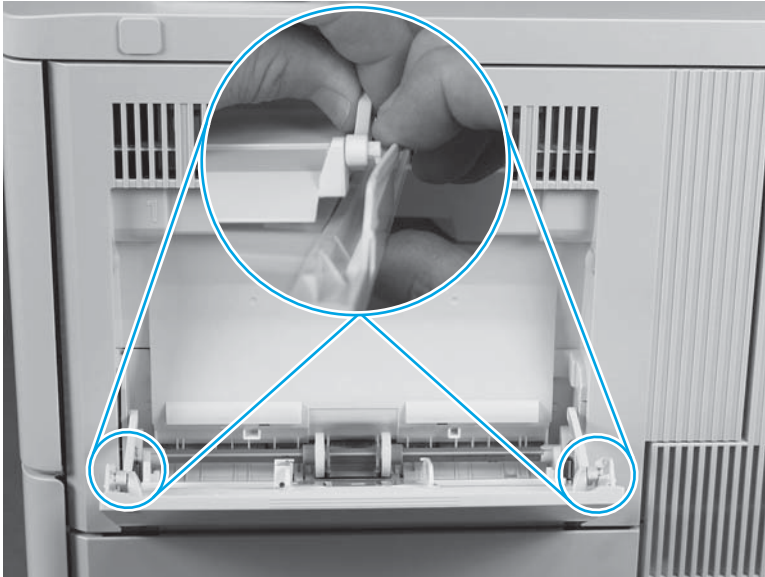


## Step 2: Remove the Tray 1 separation roller

1. Carefully flex the right- and left-side tray retainers to release them.

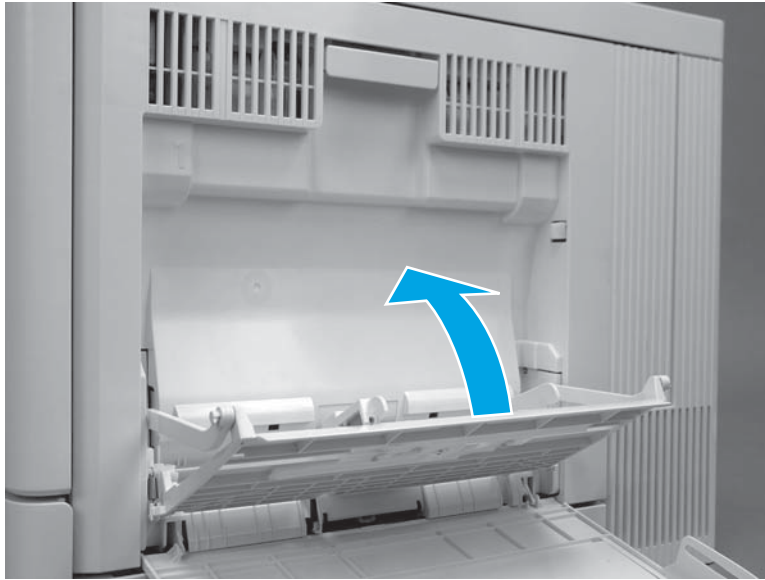
 **TIP:** Raise the tray to the halfway closed position to make it is easier to release the retainers.

**Figure 2-100** Release the tray retainers



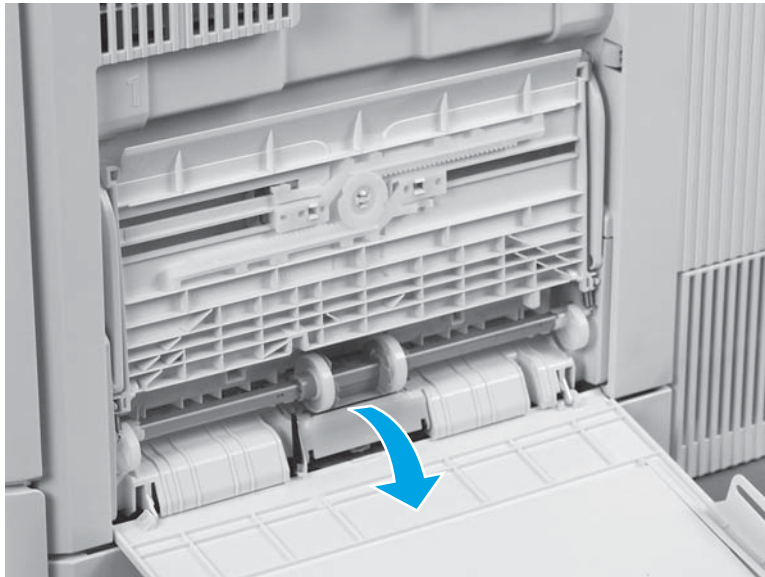
2. Carefully raise Tray 1 up into the printer.

**Figure 2-101** Raise Tray 1 up




3. Firmly grasp the corners of the separation roller cover, and then rotate it down and away from the printer to remove it.

**Figure 2-102** Open the roller cover



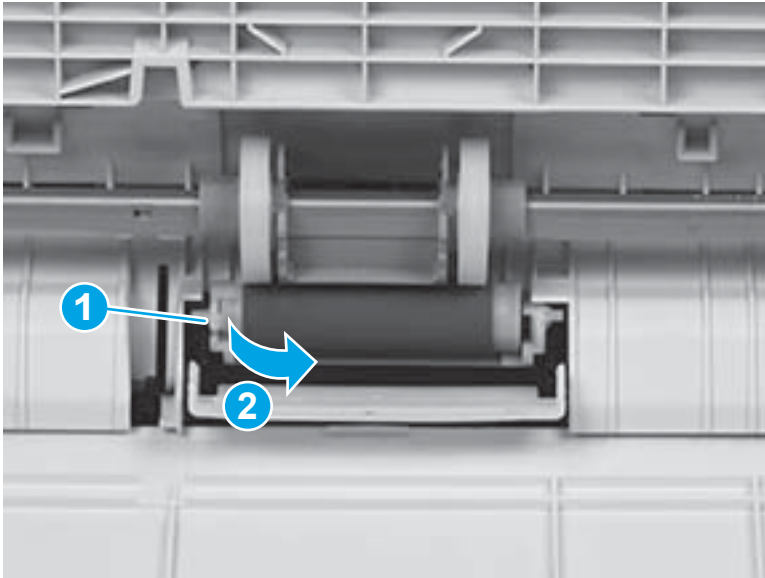
4. Release one tab (callout 1), and then rotate the end of the roller out and away from the holder (callout 2).

---

 **TIP:** It might be necessary to use a small flat-blade screwdriver to complete this step.

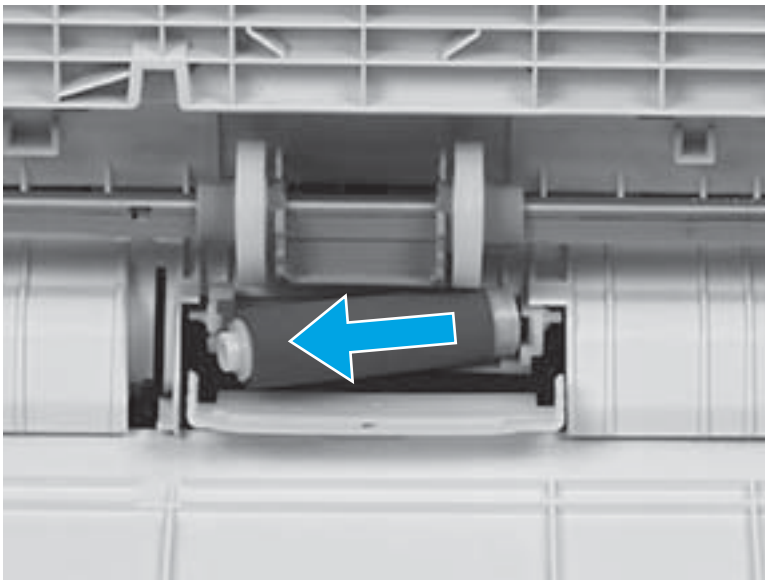
---

**Figure 2-103** Release one tab



5. Slide the roller out of the holder to remove it.


**Figure 2-104** Remove the roller



### Step 3: Clean the Tray 1 rollers

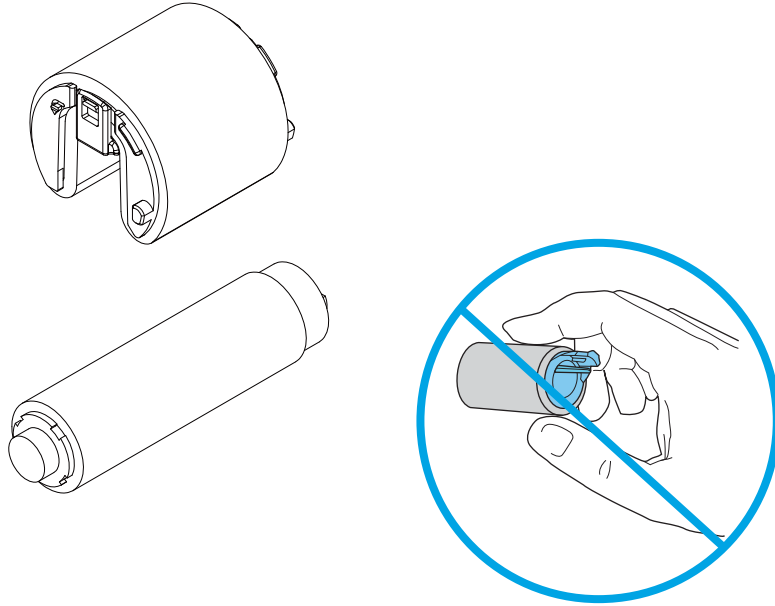
- ▲ Use a damp, lint-free cloth to gently clean the rollers.

---

 **CAUTION:** When handling the rollers, avoid touching the roller surfaces. Skin oils and fingerprints on a roller surface can cause print-quality problems.

---

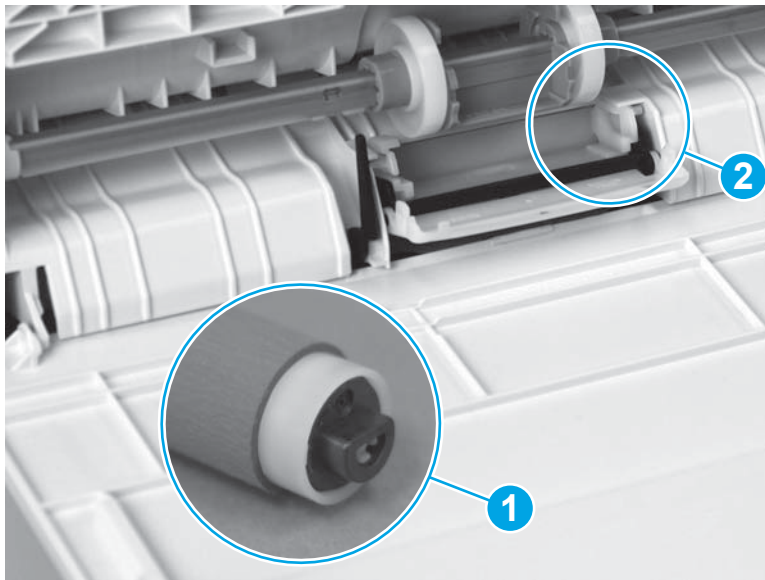
**Figure 2-105** Clean the rollers



#### Step 4: Install the Tray 1 separation roller

1. Before beginning, locate the keyed end of the replacement separation roller (callout 1) and the holder (callout 2).

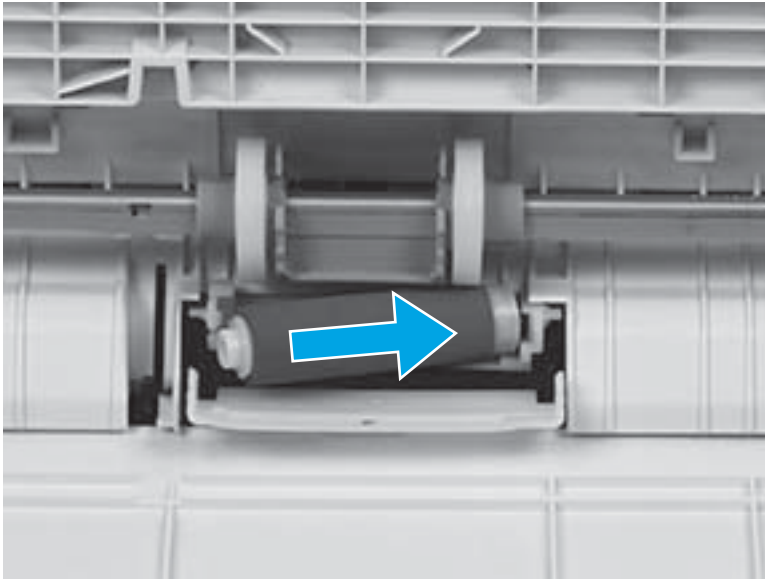
**Figure 2-106** Locate the keyed end of the roller and the holder





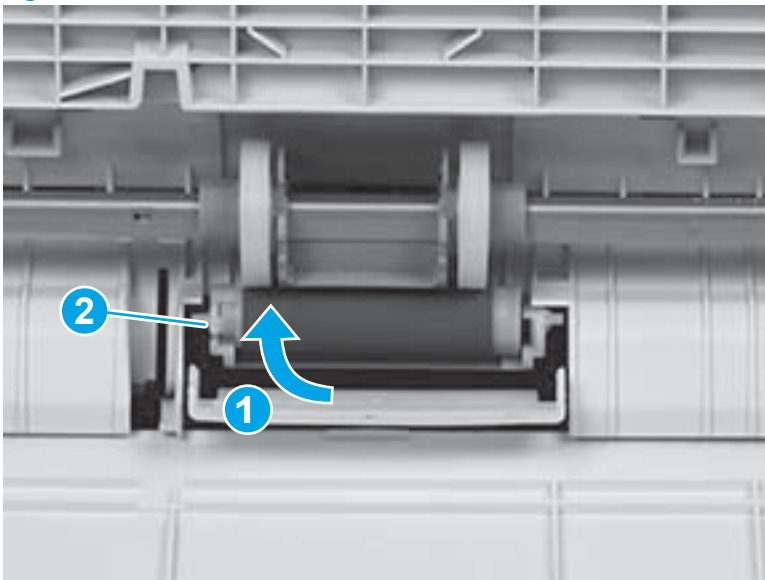
2. Slide the keyed end of the roller into the holder to install it.

**Figure 2-107** Install the roller



3. Rotate the end of the roller into the holder (callout 1) until the tab (callout 2) snaps into place.

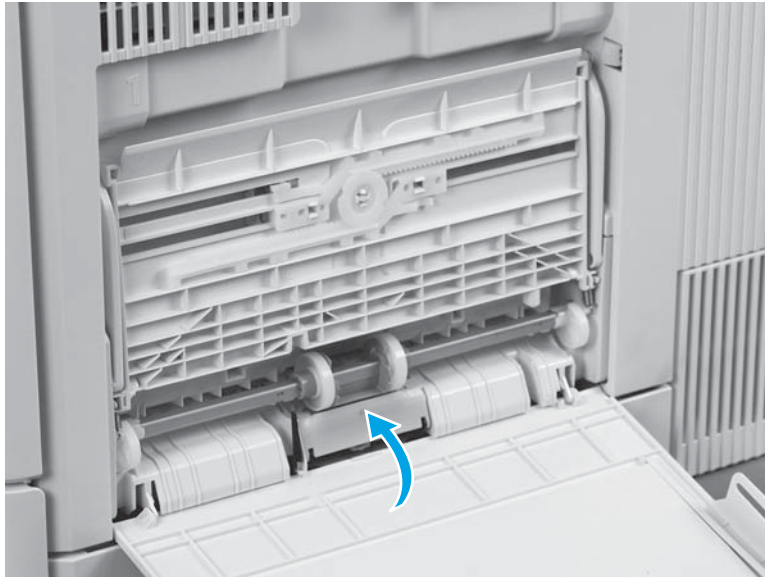
**Figure 2-108** Rotate the end of the roller into the holder





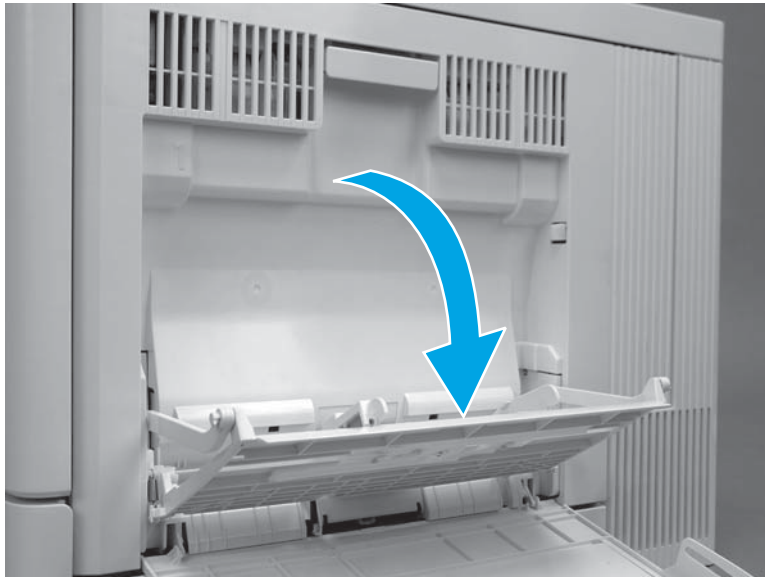
4. Position the separation roller cover on the printer, and then rotate it up and towards the printer to install it.

**Figure 2-109** Close the roller cover



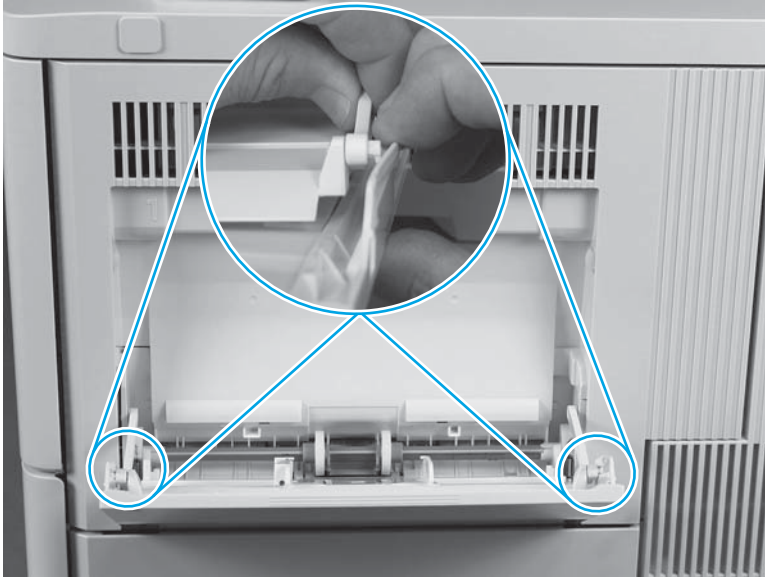
5. Carefully lower Tray 1 down.

**Figure 2-110** Lower Tray 1 down



6. Carefully flex the right- and left-side tray retainers to reconnect them.

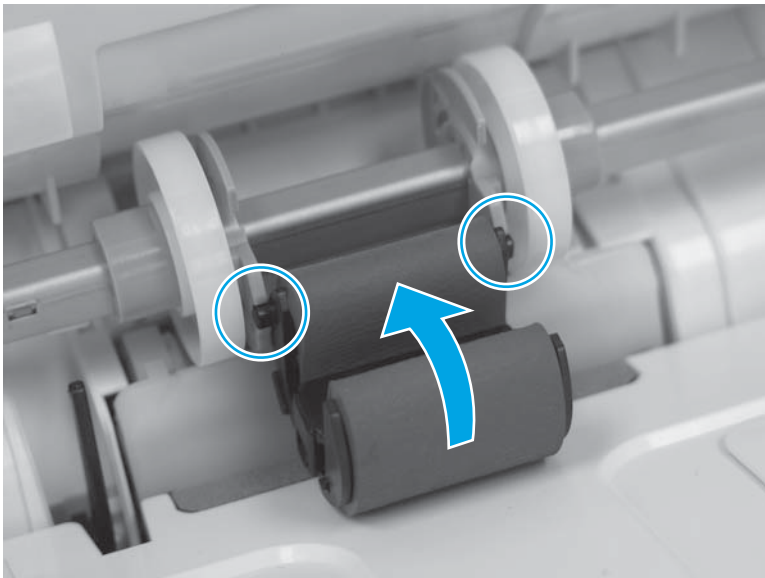
**Figure 2-111** Reconnect the tray retainers



### Step 5: Install the Tray 1 pickup roller

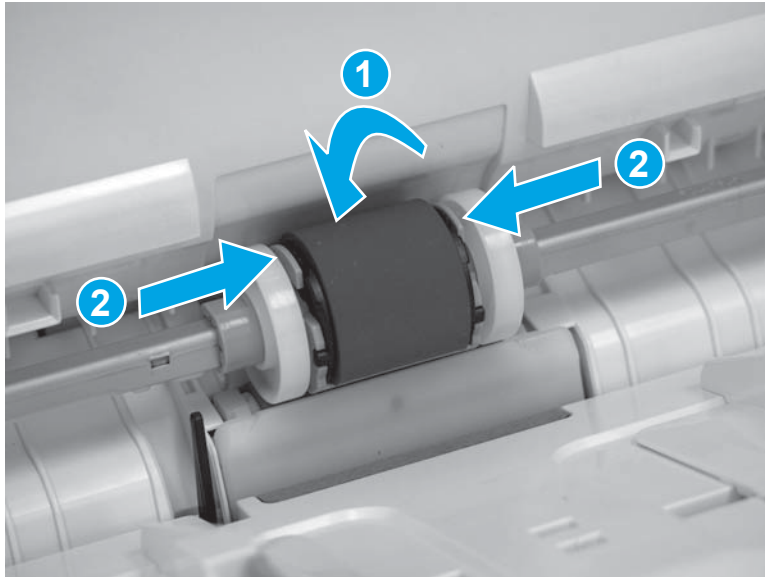
1. Position the replacement pickup roller with the pins in the provided slots on the holder, and then rotate the top of the roller up and toward the printer.

**Figure 2-112** Install the roller



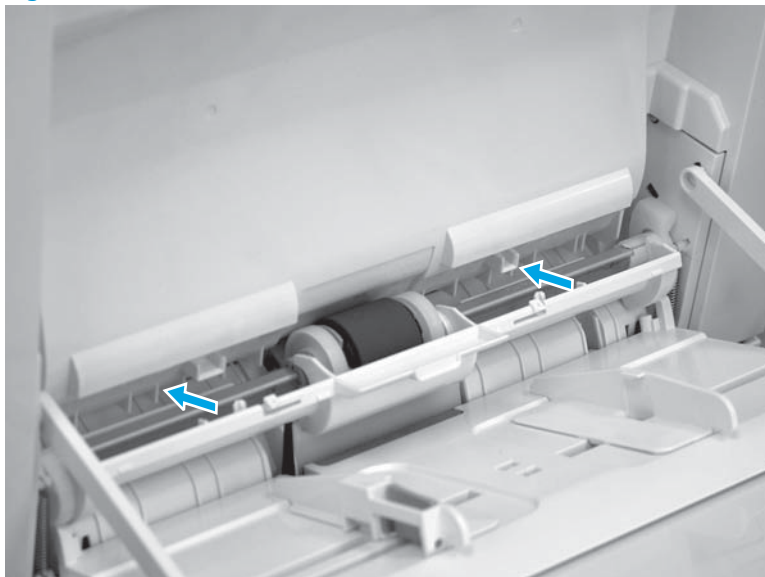
2. Continue to rotate the top of the roller toward the printer (callout 1), until two tabs (callout 2) snap into place.

**Figure 2-113** Reconnect two tabs



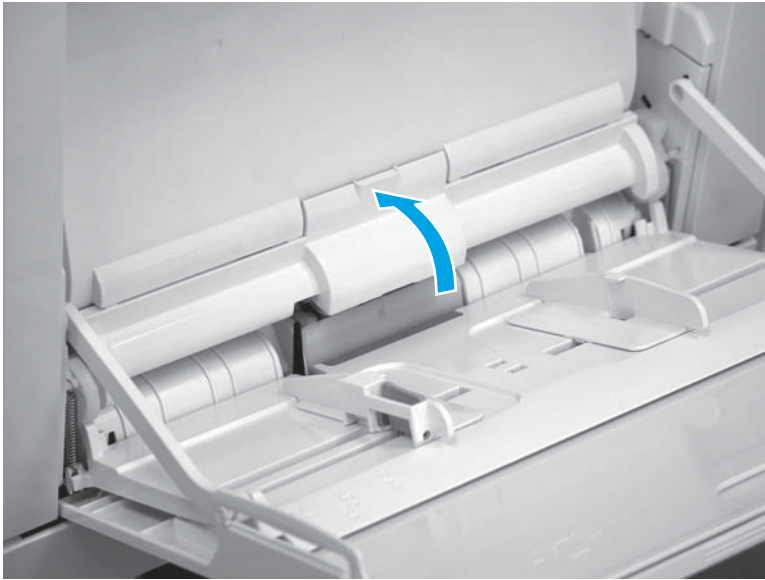
3. Install the roller cover.

**Figure 2-114** Install the roller cover



4. Close the roller cover.

**Figure 2-115** Close the roller cover




5. Close Tray 1.

**Figure 2-116** Close Tray 1



## Clean the Tray 2-X rollers

### Step 1: Remove the Tray 2-X paper pickup roller assembly

 **NOTE:** The procedure in this section shows Tray 2 in the figures. However, this procedure is also correct for Tray 3, Tray 4, or Tray 5.

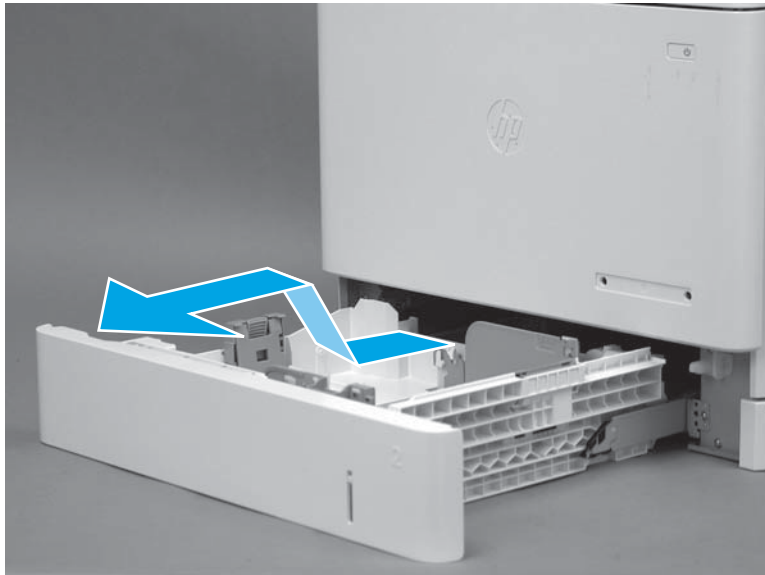
1. Pull the tray out until it stops.

**Figure 2-117** Pull the tray out



2. Lift the front of the tray, and then pull it out of the printer to remove it.

**Figure 2-118** Remove the tray



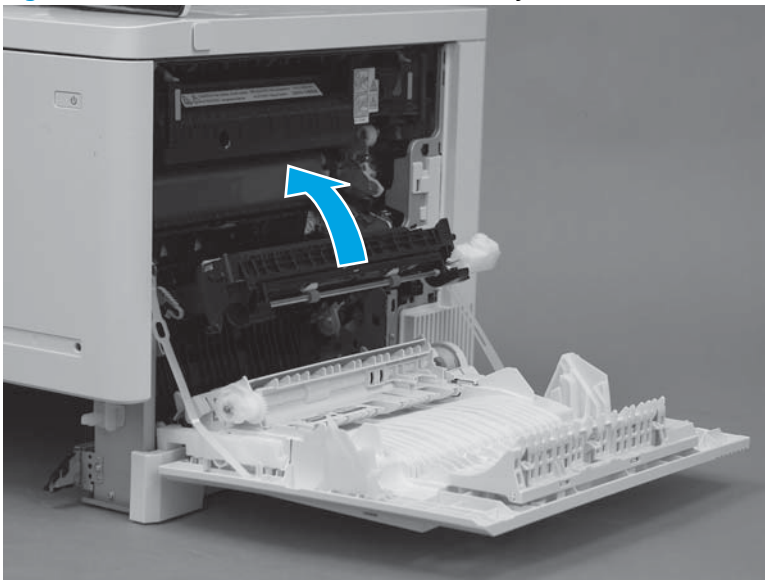
3. Open the right door.

**Figure 2-119** Open the right door



4. Carefully raise the transfer roller assembly up and into the printer.

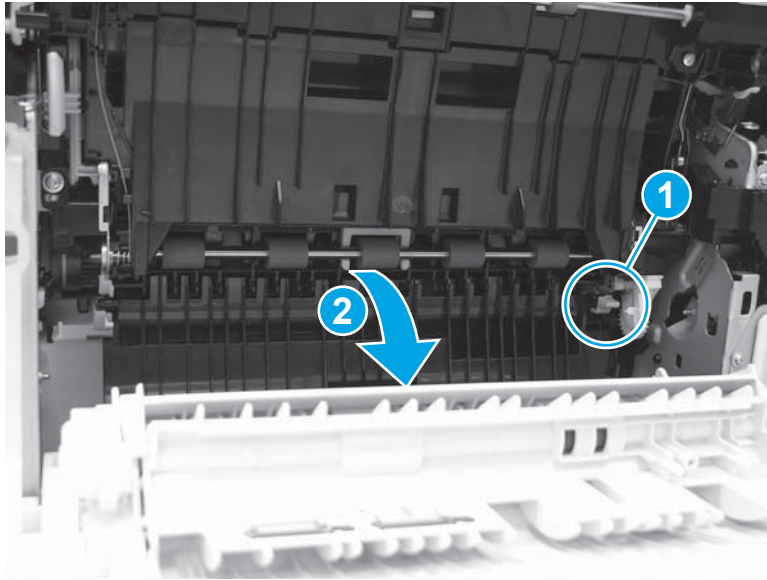
**Figure 2-120** Raise the transfer roller assembly





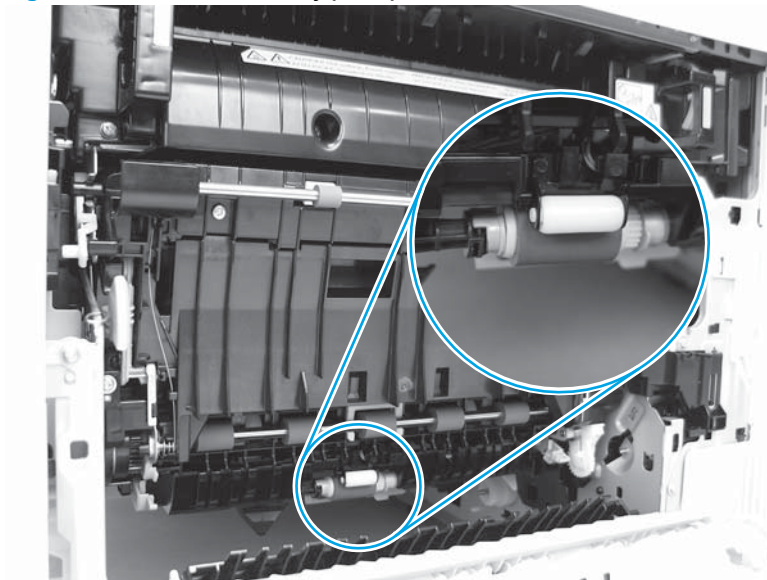
5. Release the green handle (callout 1), and then lower the paper guide (callout 2).

**Figure 2-121** Lower the paper guide




6. Locate the tray pickup roller assembly.

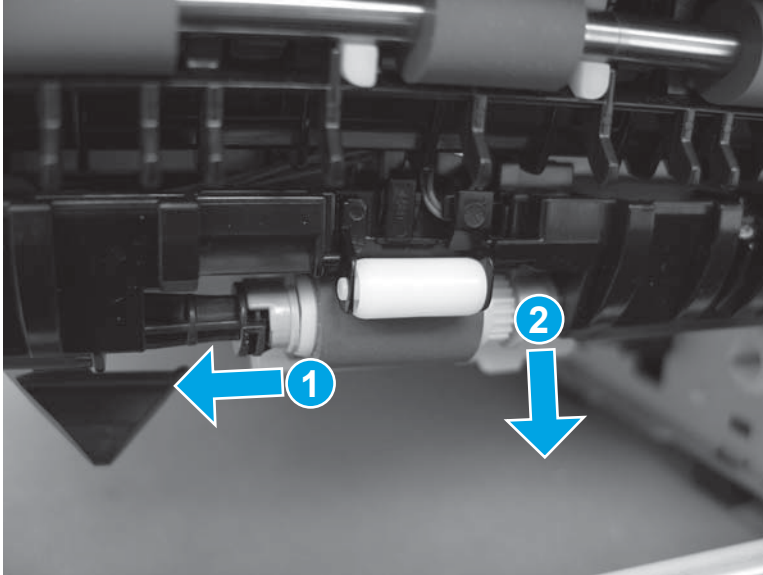
**Figure 2-122** Locate the tray pickup roller



7. Slide the assembly to the left to compress the spring loaded shaft (callout 1), and then rotate the right end of the assembly down and away from the printer (callout 2).

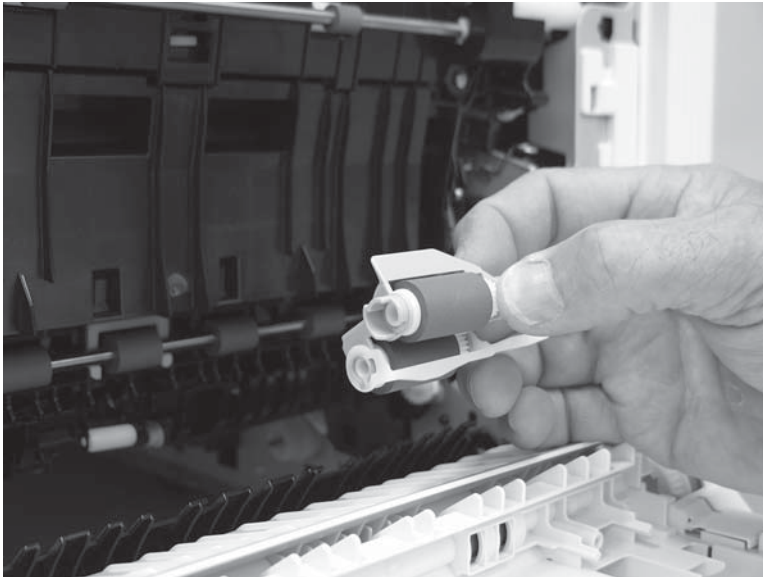
 **TIP:** It might be easier to access the roller through the tray cavity, while viewing it through the right door opening.

**Figure 2-123** Slide the assembly to the left



8. Remove the roller assembly.

**Figure 2-124** Remove the roller assembly

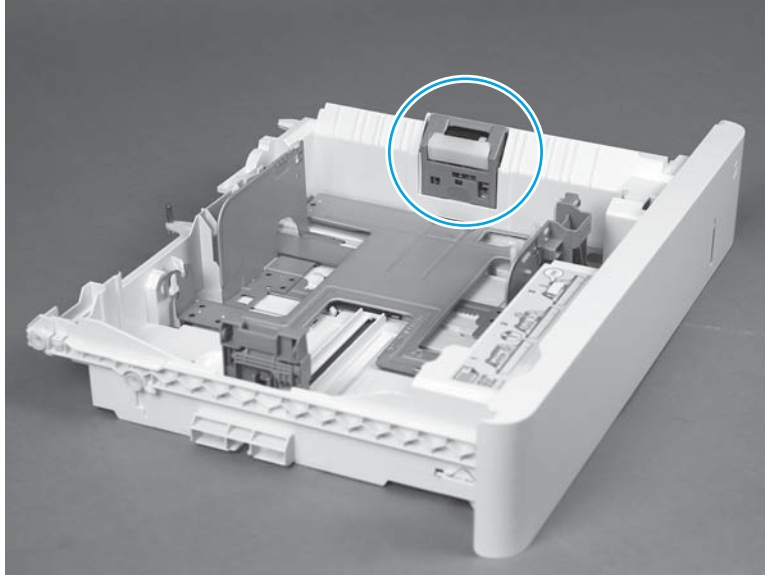


## Step 2: Remove the Tray 2-X separation roller

1. Locate the tray separation roller.

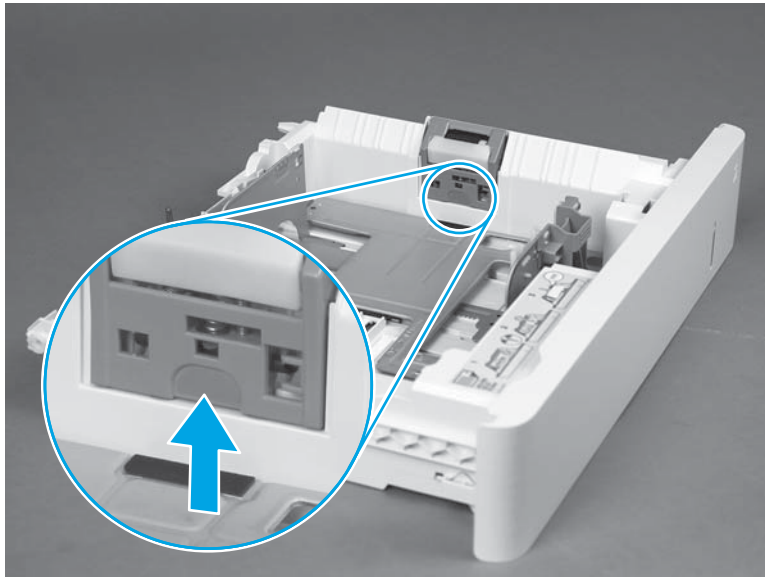


**Figure 2-125** Locate the roller assembly



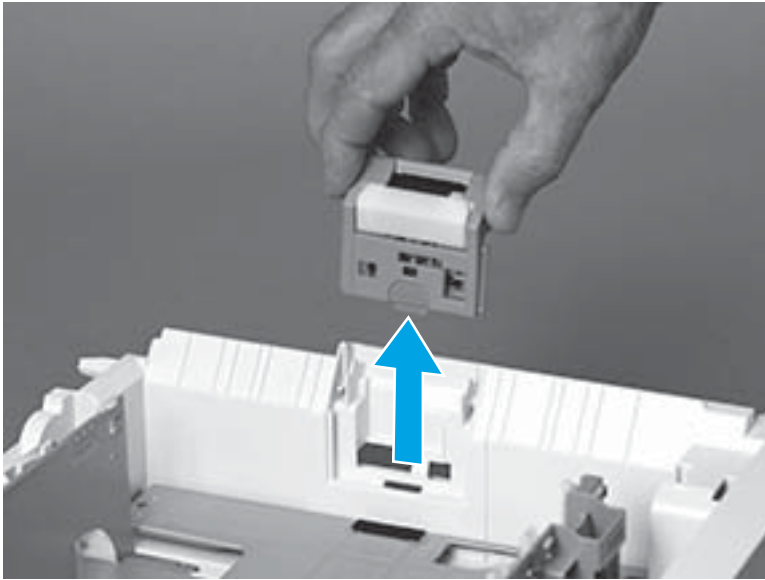
2. Push up on the blue label to release the roller assembly.

**Figure 2-126** Push up on the blue label



3. Slide the roller assembly straight up to remove it.

**Figure 2-127** Remove the roller assembly



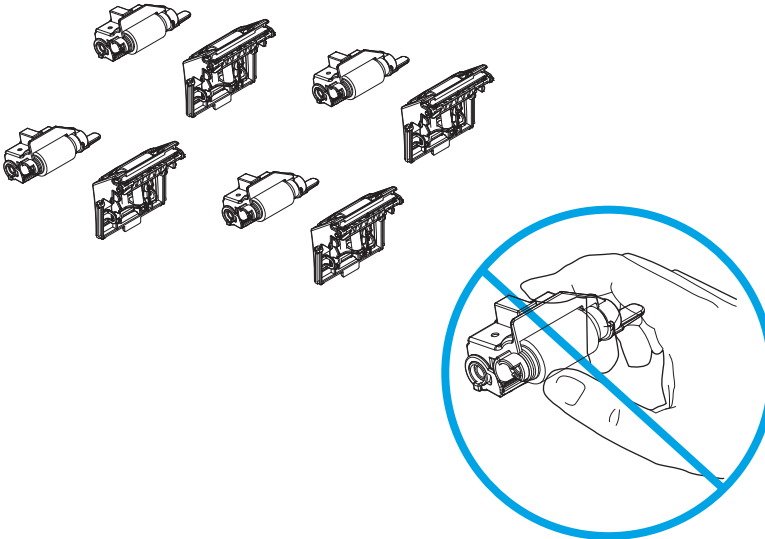
### Step 3: Clean the Tray 2-X rollers

- ▲ Use a damp, lint-free cloth to gently clean the rollers.

**CAUTION:** When handling the rollers, avoid touching the roller surfaces. Skin oils and fingerprints on a roller surface can cause print-quality problems.

**NOTE:** The number of rollers depends on the number input accessories installed.

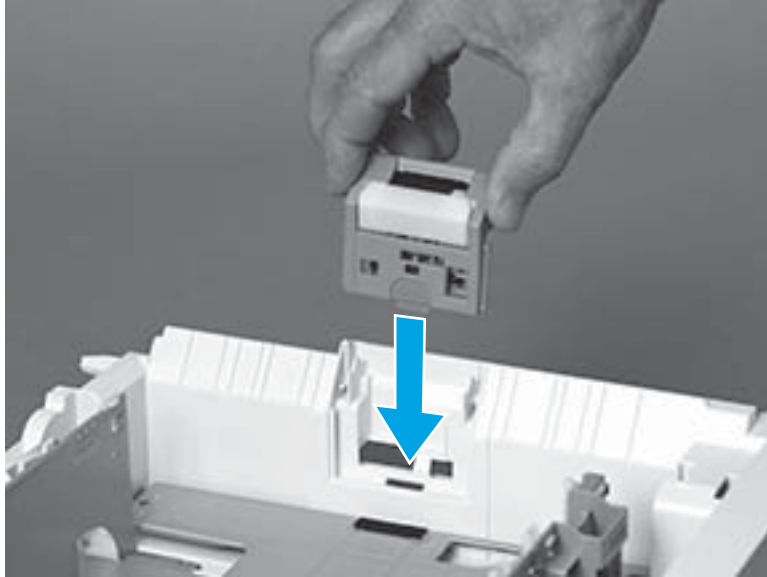
**Figure 2-128** Clean the rollers



### Step 4: Install the Tray 2-X separation roller

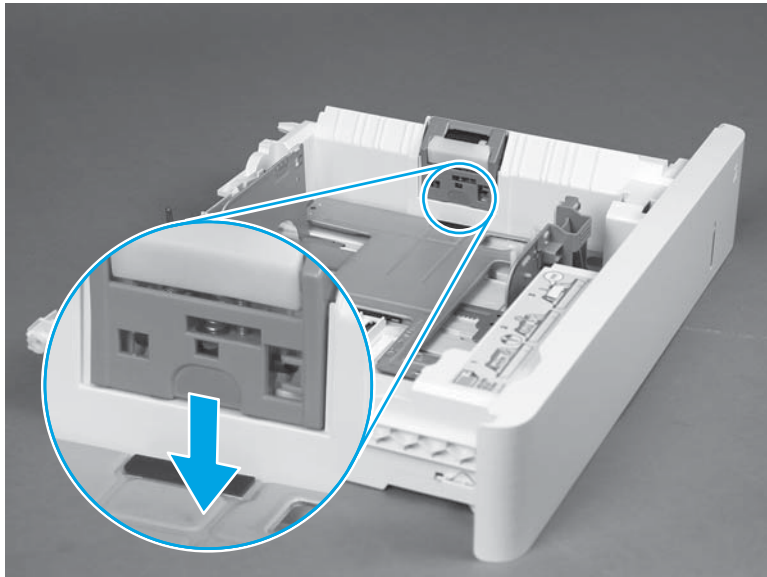
1. Slide the roller assembly straight into the tray to install it.

**Figure 2-129** Install the roller assembly



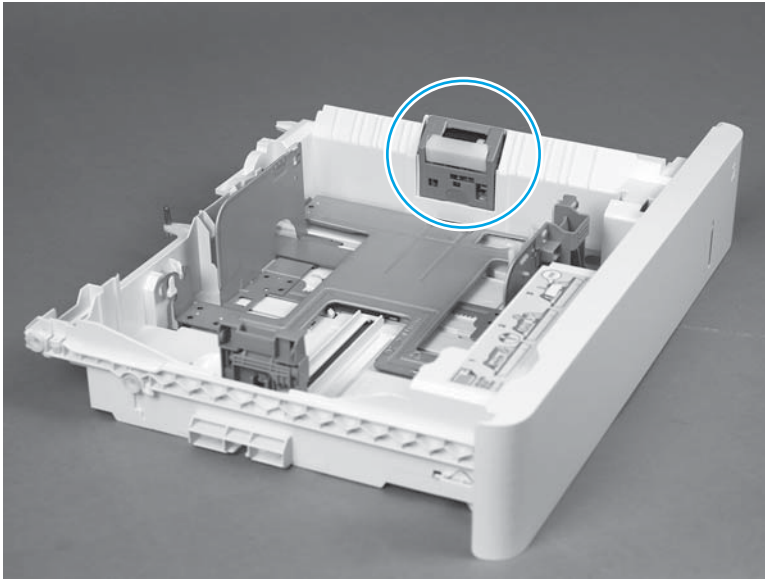
2. Make sure that the roller assembly is fully seated.

**Figure 2-130** Fully seat the roller assembly




3. Verify that the roller assembly is correctly installed—it should be firmly attached to the tray.

**Figure 2-131** Check the installation

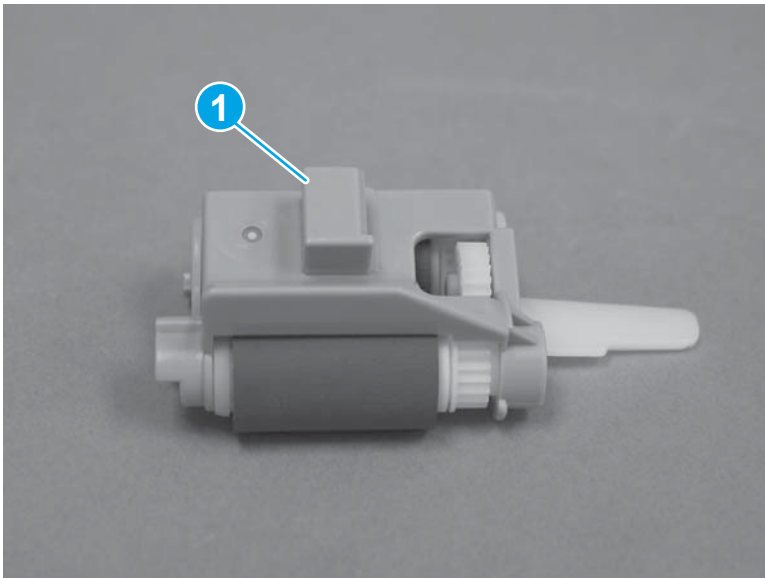


### Step 5: Install the Tray 2-X paper pickup roller assembly


1. Before proceeding, take note of the mounting tab (callout 1) on the replacement roller assembly.

 **IMPORTANT:** When correctly installed, a black-plastic protrusion in the printer fits into this tab to hold the roller in the upright position.

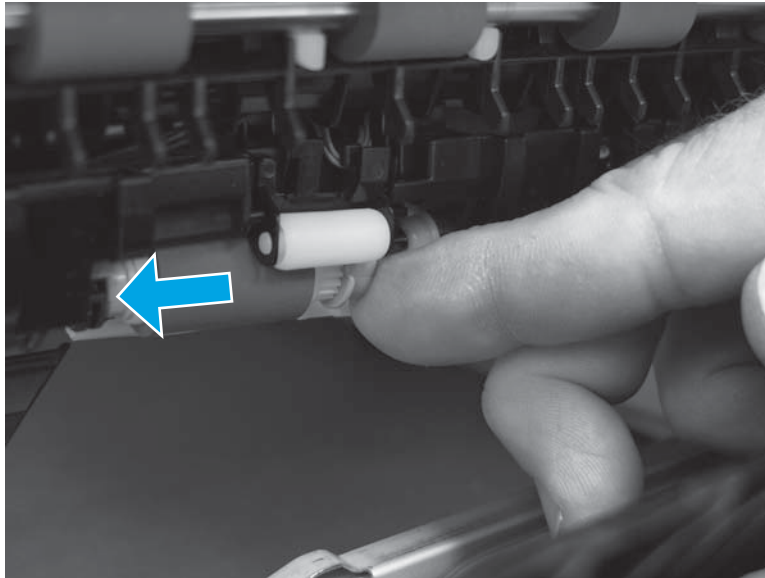
**Figure 2-132** Note of the mounting tab



2. Position the roller assembly in the printer with the spring loaded shaft compressed.

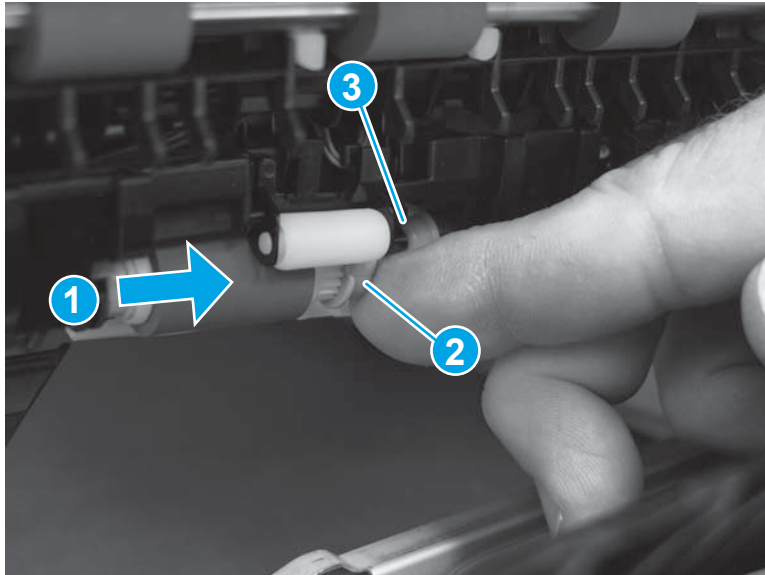
 **TIP:** It might be easier to access the roller through the tray cavity, while viewing it through the right door opening.

**Figure 2-133** Position the roller assembly in the printer



3. Carefully release the spring loaded shaft (callout 1) with the roller in place. The collar (callout 2) on the assembly fits over the bushing (callout 3) in the printer.

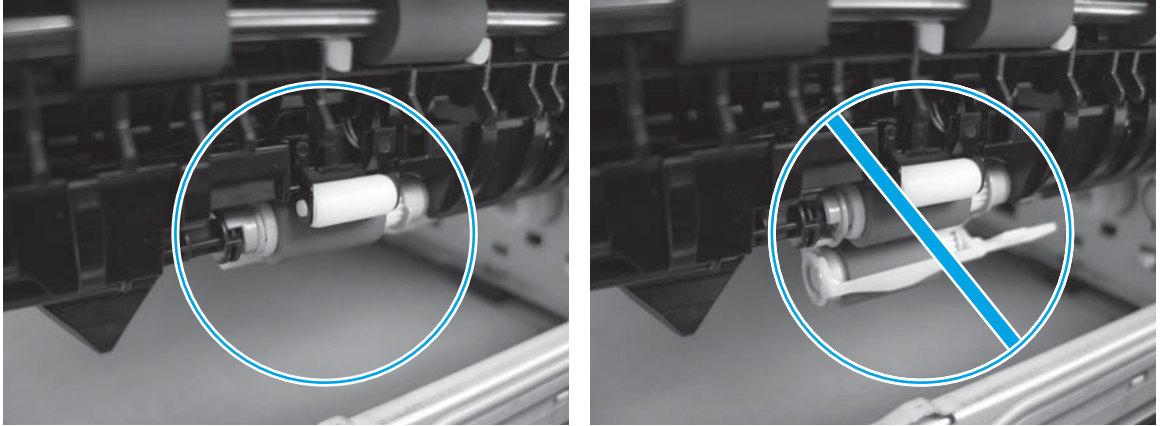
**Figure 2-134** Release the spring loaded shaft



4. Make sure that the roller assembly is correctly installed. It must not hang down into the tray cavity. If the roller hangs down into the tray cavity, remove it, and then reinstall it.

**⚠ CAUTION:** If the roller assembly is not correctly installed, it will be damaged when the tray is installed.

**Figure 2-135** Verify the roller installation

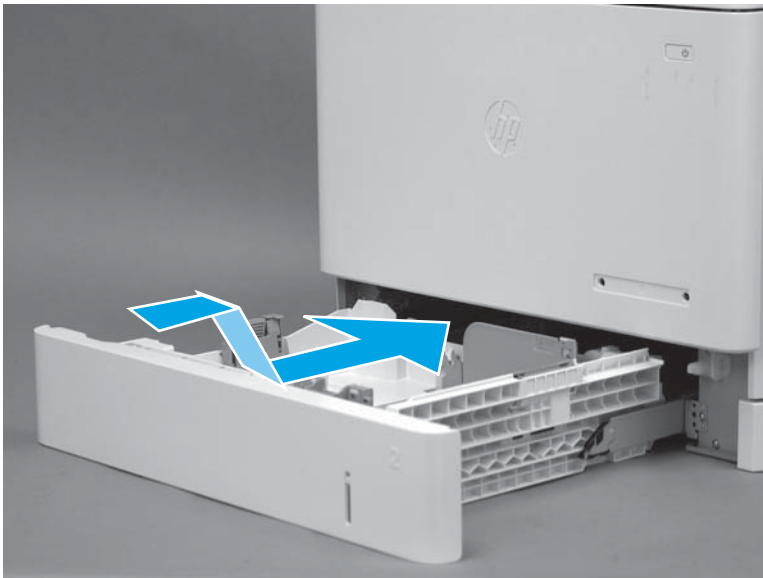


5. Close the right door.

With the front of the tray slightly lifted, align the sides of the tray with the rails in the printer, and then carefully slide the tray into the printer.

**💡 TIP:** As the tray slides into the printer, lower the front of it.

**Figure 2-136** Install the tray



6. Close the tray.

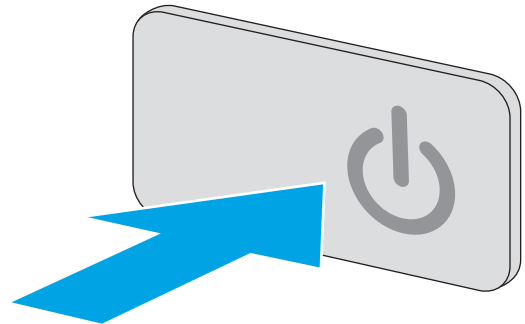
**Figure 2-137** Close the tray



### Check the scanner glass for dirt and smudges (M577 only)

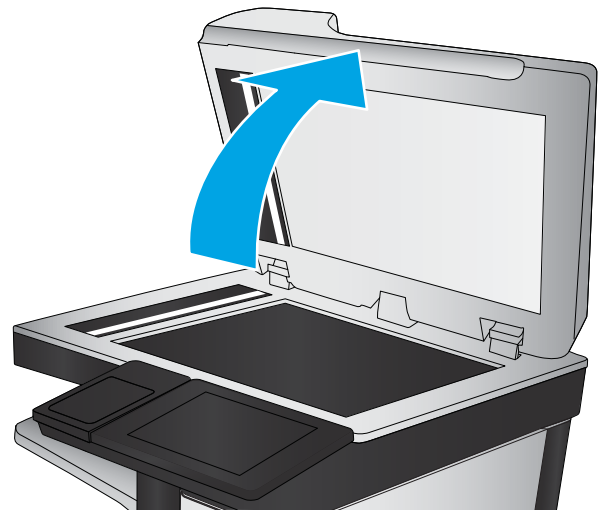
Over time, specks of debris might collect on the scanner glass and white plastic backing, which can affect performance. Use the following procedure to clean the scanner if the printed pages have streaks, unwanted lines, black dots, poor print quality, or unclear text.

1. Press the power button to turn the printer off, and then disconnect the power cable from the electrical outlet.





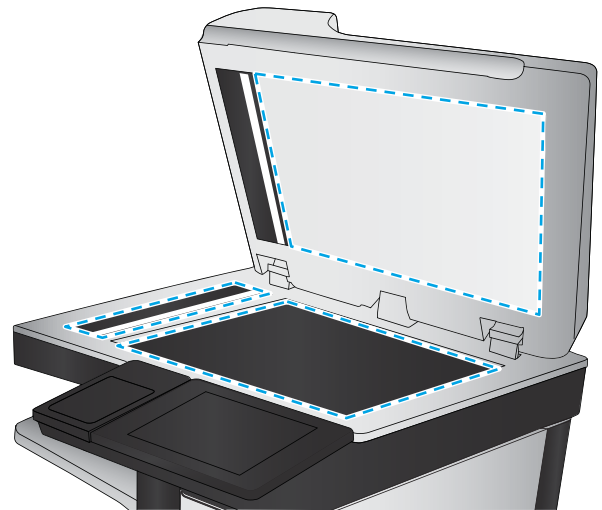
2. Open the scanner lid.



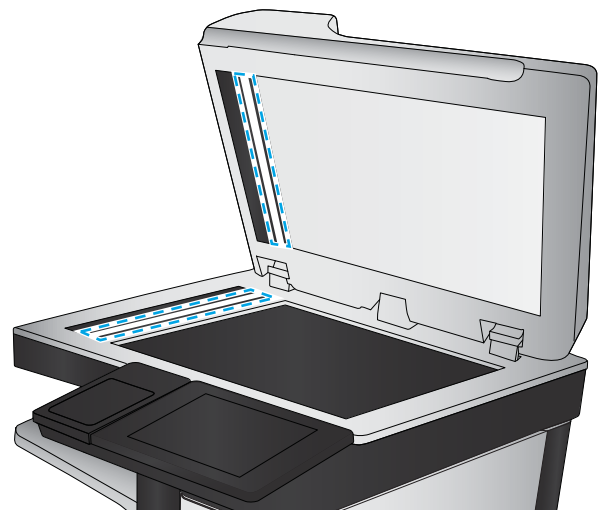
3. Clean the scanner glass, the document feeder strips, and the white plastic backing with a soft cloth or sponge that has been moistened with nonabrasive glass cleaner.

**CAUTION:** Do not use abrasives, acetone, benzene, ammonia, ethyl alcohol, or carbon tetrachloride on any part of the printer; as these can damage the printer. Do not place liquids directly on the glass or platen. They might seep and damage the printer.

**NOTE:** If you are having trouble with streaks on copies when you are using the document feeder, be sure to clean the small strip of glass on the left side of the scanner.



4. Clean the two thin white strips on the left side of both the scanner and the document feeder with a soft cloth or sponge that has been moistened with nonabrasive glass cleaner.

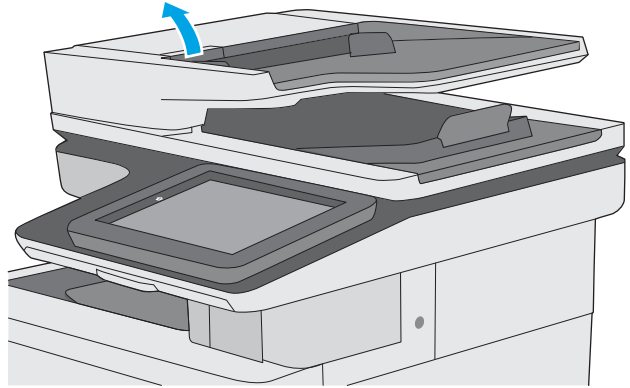




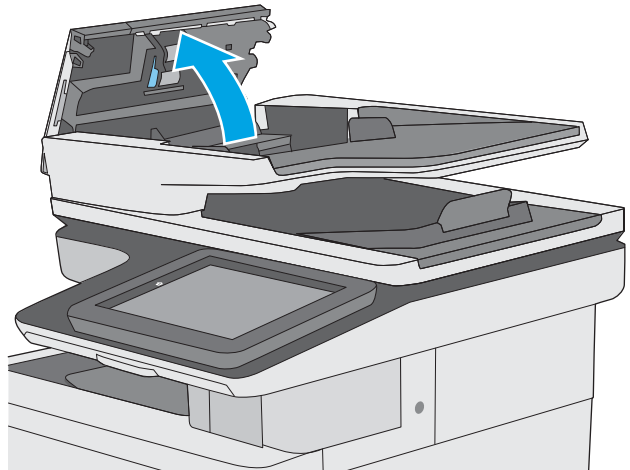
5. Dry the glass and white plastic parts with a chamois or a cellulose sponge to prevent spotting.
6. Connect the power cable to an outlet, and then press the power button to turn the printer on.

## Clean the pickup rollers and separation pad in the document feeder (M577 only)

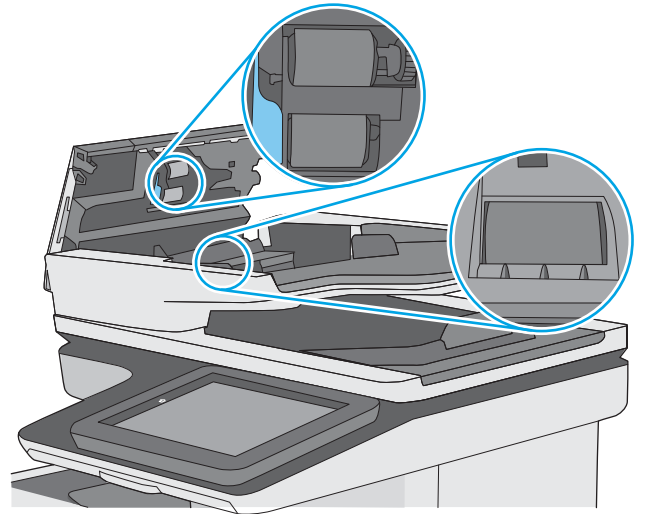
1. Lift the document-feeder latch.



2. Open the document-feeder cover.



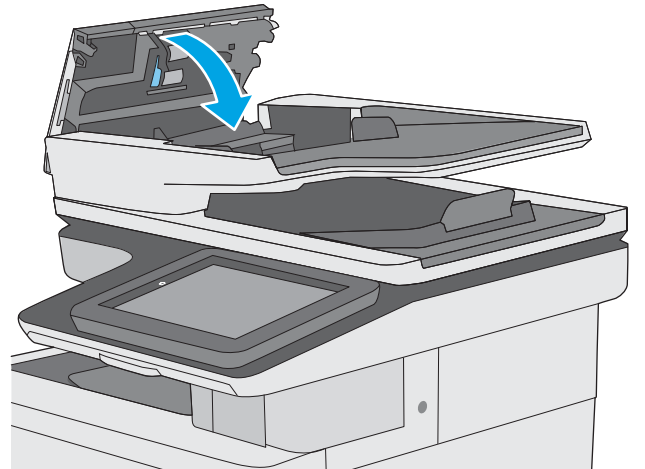
3. Remove any visible lint or dust from each of the feed rollers and the separation pad using compressed air or a clean lint-free cloth moistened with warm water.



4. Close the document-feeder cover.

**NOTE:** Verify that the latch on the top of the document-feeder cover is completely closed.

If the error persists, install a document feeder maintenance kit (B5L52-67903).



## Solve paper handling problems

- [Printer feeds incorrect page size](#)
- [Printer pulls from incorrect tray](#)
- [Printer will not duplex or duplexes incorrectly](#)
- [Paper does not feed from Tray 2-X](#)
- [Output is curled or wrinkled](#)
- [Printer does not pick up paper or misfeeds](#)
- [Clear paper jams](#)

### Printer feeds incorrect page size

**Table 2-55 Printer feeds incorrect page size**

Cause	Solution
The correct size paper is not loaded in the tray.	Load the correct size paper in the tray.
The correct size paper is not selected in the software program or printer driver.	Confirm that the settings in the software program and printer driver are correct, because the software program settings override the printer driver and control panel settings, and the printer driver settings override the control panel settings.
The correct size paper for the tray is not selected in the printer control panel.	From the control panel, select the correct size paper for the tray.
The paper size is not configured correctly for the tray.	Print a configuration page to determine the paper size for which the tray is configured.
The guides in the tray are not against the paper.	Verify that the paper guides are touching the paper.

### Printer pulls from incorrect tray

**Table 2-56 Printer pulls from incorrect tray**

Cause	Solution
A driver for a different printer is in use.	Use a driver for this printer.
The specified tray is empty.	Load paper in the specified tray.
The paper size is not configured correctly for the input tray.	Print a configuration page or use the control panel to determine the paper size for which the tray is configured.
The guides in the tray are not against the paper.	Verify that the guides are touching the paper.

### Printer will not duplex or duplexes incorrectly

**Table 2-57 Printer will not duplex (print 2-sided jobs) or duplexes incorrectly**

Cause	Solution
The duplex job is trying to use unsupported paper.	Verify that the paper is supported for duplex printing.

**Table 2-57 Printer will not duplex (print 2-sided jobs) or duplexes incorrectly (continued)**

Cause	Solution
The printer driver is not set up for duplex printing.	Set up the printer driver to enable duplex printing.
The first page is printing on the back of preprinted forms or letterhead.	Load preprinted forms and letterhead in Tray 1 with the letterhead or printed side down, with the top of the page leading into the printer. For Tray 2-X, load the paper printed side up with the top of the page toward the right of the printer.
The printer model does not support automatic 2-sided printing.	The printer model does not support automatic 2-sided printing.

## Paper does not feed from Tray 2-X

**Table 2-58 Paper does not feed from Tray 2-X**

Cause	Solution
The correct size paper is not loaded.	Load the correct size paper.
The input tray is empty.	Load paper in the input tray.
The correct paper type for the input tray is not selected in the printer control panel.	From the printer control panel, select the correct paper type for the input tray. Trays configured for a paper type with a specific weight range will not match a print job that specifies an exact weight, even if the specified weight is within the weight range.
Paper from a previous jam has not been completely removed.	Open the printer and remove any paper in the paper path. Closely inspect the fuser area for jams.
None of the optional trays appear as input tray options.	The optional trays only display as available if they are installed. Verify that any optional trays are correctly installed. Verify that the printer driver has been configured to recognize the optional trays.
An optional tray is incorrectly installed.	Print a configuration page to confirm that the optional tray is installed. If not, verify that the tray is correctly attached to the printer.
The paper size is not configured correctly for the input tray.	Print a configuration page or use the control panel to determine the paper size for which the tray is configured.
The guides in the tray are not against the paper.	Verify that the guides are touching the paper.

## Output is curled or wrinkled

**Table 2-59 Output is curled or wrinkled**

Cause	Solution
Paper does not meet the specifications for this printer.	Use only paper that meets the HP paper specifications for this printer.
The correct paper type for the input tray is not selected in the printer control panel.	From the printer control panel, select the correct paper type for the input tray. Trays configured for a paper type with a specific weight range will not match a print job that specifies an exact weight, even if the specified weight is within the weight range.
Paper is damaged or in poor condition.	Remove paper from the input tray and load paper that is in good condition.

**Table 2-59 Output is curled or wrinkled (continued)**

Cause	Solution
The printer is operating in an excessively humid environment.	Verify that the printing environment is within humidity specifications.
The print job consist of large, solid-filled areas.	Large, solid-filled areas can cause excessive curl. Try using a different pattern.
Paper used was not stored correctly and might have absorbed moisture.	Remove paper and replace it with paper from a fresh, unopened package.
Paper has poorly cut edges.	Remove paper, flex it, rotate it 180 degrees or turn it over, and then reload it into the input tray. Do not fan paper. If the problem persists, replace the paper.
The specific paper type was not configured for the tray or selected in the software.	Configure the software for the paper (see the software documentation). Configure the tray for the paper.
The paper has previously been used for a print job.	Do not re-use paper.

## Printer does not pick up paper or misfeeds

Use the following procedures if the printer will not pick or misfeeds paper.

### The printer does not pick up paper

If the printer does not pick up paper from the tray, try these solutions.



**NOTE:** Tray 1 and Tray 2 are optimal for paper pickup when using special paper or media other than 20lb plain paper. For Tray 1 and Tray 2 the printer increases the number of attempts to pick up a page, which increases the reliability of successfully picking the page from the tray and decreases the possibility of a mis-pick jam.

HP recommends using Tray 1 or Tray 2 if the printer is experiencing excessive or reoccurring jams from trays other than Tray 1 and Tray 2, or for print jobs that require media other than 20lb plain paper.

HP recommends printing labels from Tray 2 only.

1. Open the printer and remove any jammed sheets of paper.
2. Load the tray with the correct size of paper for the job.
3. Make sure the paper size and type are set correctly on the printer control panel.
4. Make sure the paper guides in the tray are adjusted correctly for the size of paper. Adjust the guides to the appropriate indentation in the tray.
5. Check the printer control panel to see if the printer is waiting for an acknowledgment to the feed the paper manually prompt. Load paper, and continue.
6. The rollers above the tray might be contaminated. Clean the rollers with a lint-free cloth dampened with warm water.

## The printer picks up multiple sheets of paper

If the printer picks up multiple sheets of paper from the tray, try these solutions.

1. Remove the stack of paper from the tray and flex it, rotate it 180 degrees, and flip it over. *Do not fan the paper.* Return the stack of paper to the tray.
2. Use only paper that meets HP specifications for this printer.
3. Use paper that is not wrinkled, folded, or damaged. If necessary, use paper from a different package.
4. Make sure the tray is not overfilled. If it is, remove the entire stack of paper from the tray, straighten the stack, and then return some of the paper to the tray.
5. Make sure the paper guides in the tray are adjusted correctly for the size of paper. Adjust the guides to the appropriate indentation in the tray.
6. Make sure the printing environment is within recommended specifications.

## Paper does not feed automatically

**Table 2-60 Paper does not feed automatically**

Cause	Solution
Manual feed is selected in the software program.	Load Tray 1 with paper, or, if the paper is loaded, press the <b>OK</b> button.
The correct size paper is not loaded.	Load the correct size paper.
The input tray is empty.	Load paper into the input tray.
Paper from a previous jam has not been completely removed.	Open the printer and remove any paper in the paper path.
The paper size is not configured correctly for the input tray.	Print a configuration page or use the control panel to determine the paper size for which the tray is configured.
The guides in the tray are not against the paper.	Verify that the rear and width paper guides are touching the paper.

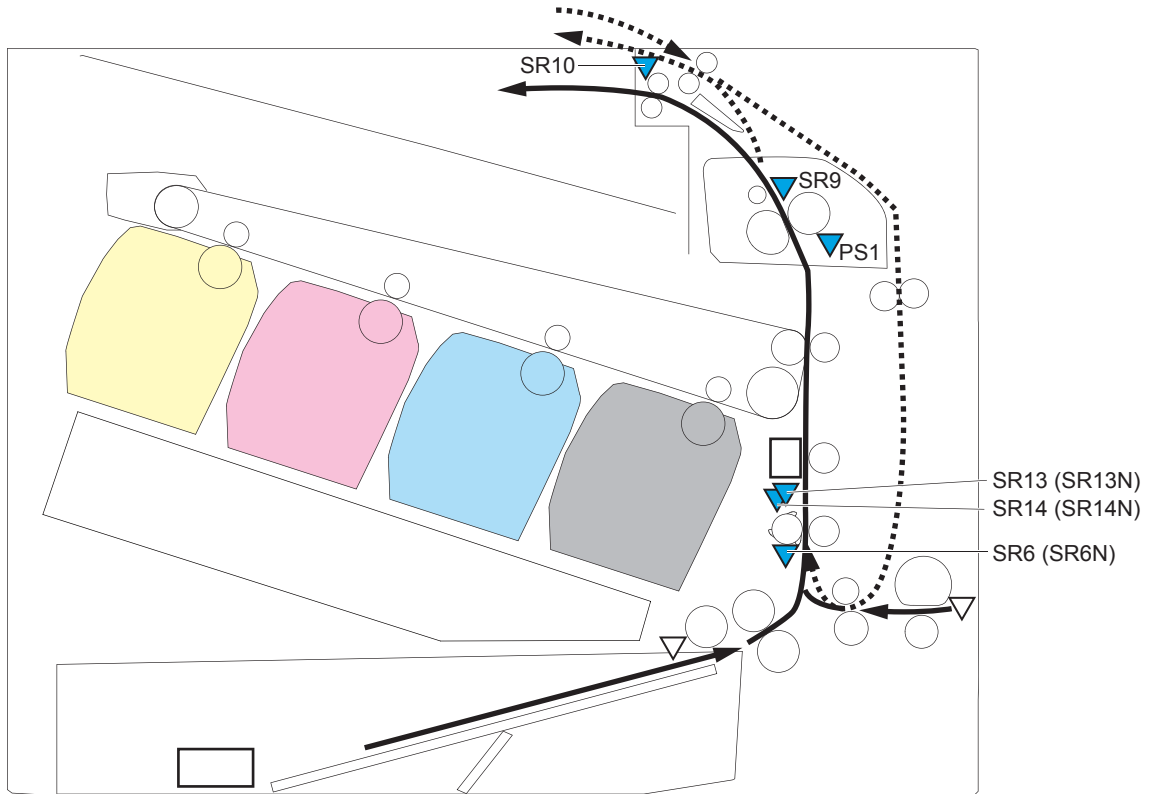
## Clear paper jams

- [Paper path jam sensor locations](#)
- [Auto-navigation for clearing jams](#)
- [Experiencing frequent or recurring paper jams?](#)
- [Clear paper jams in the document feeder](#)
- [Clear paper jams in Tray 1](#)
- [Clear paper jams in Tray 2](#)
- [Clear paper jams in the optional 550-sheet trays](#)
- [Clear paper jams in the right door and the fuser area](#)
- [Clear paper jams in the output bin](#)
- [Change jam recovery](#)

## Paper path jam sensor locations

 **NOTE:** Use the figures below to identify the locations of sensors where recurring jams are found.

**Figure 2-138** Printer base jam sensors



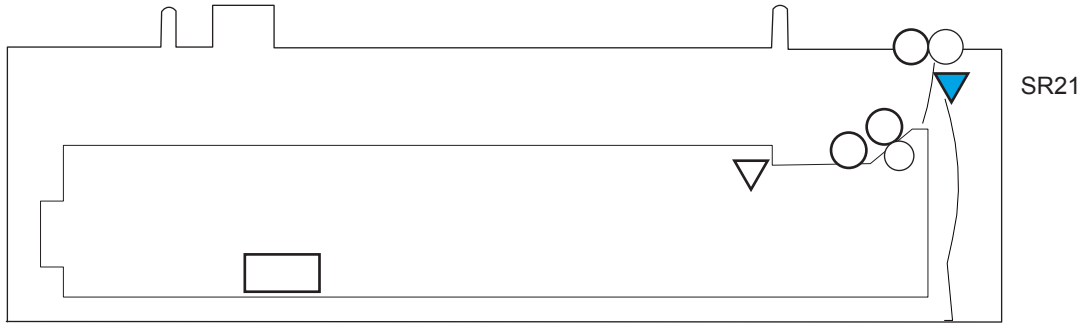
**Table 2-61** Printer base jam sensors

Sensor	Description	Sensor	Description
SR6	TOP sensor	PS1	Switchback jam sensor
SR6N <sup>1</sup>			
SR13	Media width sensor front	SR9	Fuser delivery sensor
SR13N <sup>1</sup>			
SR14	Media width sensor rear		
SR14N <sup>1</sup>			

<sup>1</sup> Simplex models.



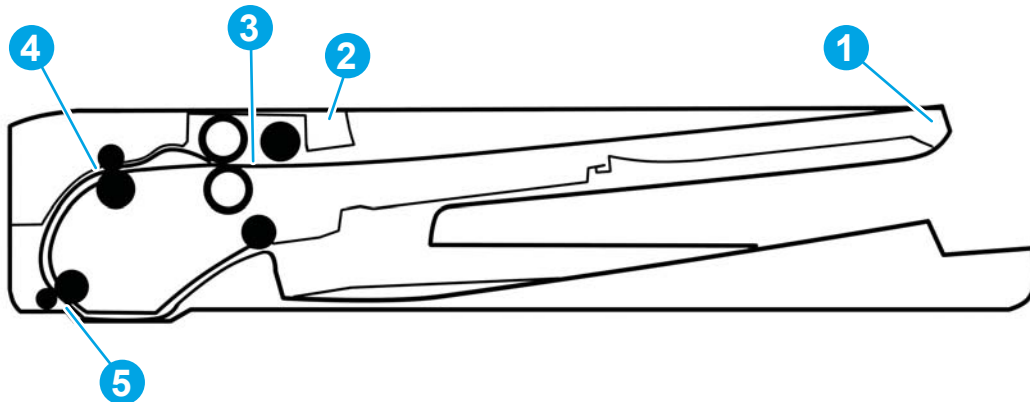
**Figure 2-139** 1x550-sheet paper-feeder jam sensors



**Table 2-62** 1x550-sheet paper-feeder jam sensors

Sensor	Description
SR21	1x550-sheet paper feeder media feed sensor

**Figure 2-140** Document feeder jam sensors



**Table 2-63** Document feeder, sensors block diagram

Item	Description
1	Length sensor
2	Jam cover sensor
3	Paper present sensor
4	Deskew sensor
5	Paper path sensor

## Auto-navigation for clearing jams

The auto-navigation feature assists you in clearing jams by providing step-by-step instructions on the control panel. When you complete a step, the product displays instructions for the next step until you have completed all steps in the procedure.

## Experiencing frequent or recurring paper jams?

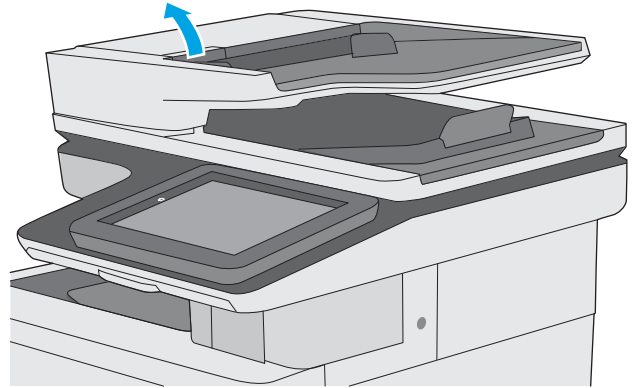
To reduce the number of paper jams, try these solutions.

1. Use only paper that meets HP specifications for this product.
2. Use paper that is not wrinkled, folded, or damaged. If necessary, use paper from a different package.
3. Use paper that has not previously been printed or copied on.
4. Make sure the tray is not overfilled. If it is, remove the entire stack of paper from the tray, straighten the stack, and then return some of the paper to the tray.
5. Make sure the paper guides in the tray are adjusted correctly for the size of paper. Adjust the guides so they are touching the paper stack without bending it.
6. Make sure that the tray is fully inserted in the product.
7. If you are printing on heavy, embossed, or perforated paper, use the manual feed feature and feed sheets one at a time.
8. Open the [Trays](#) menu on the product control panel. Verify that the tray is configured correctly for the paper type and size.
9. Make sure the printing environment is within recommended specifications.

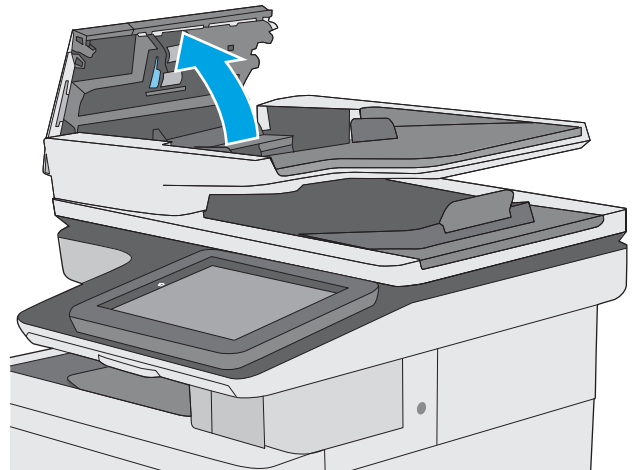
## Clear paper jams in the document feeder

The following information describes how to clear paper jams in the document feeder. When a jam occurs, the control panel displays an animation that assists in clearing the jam.

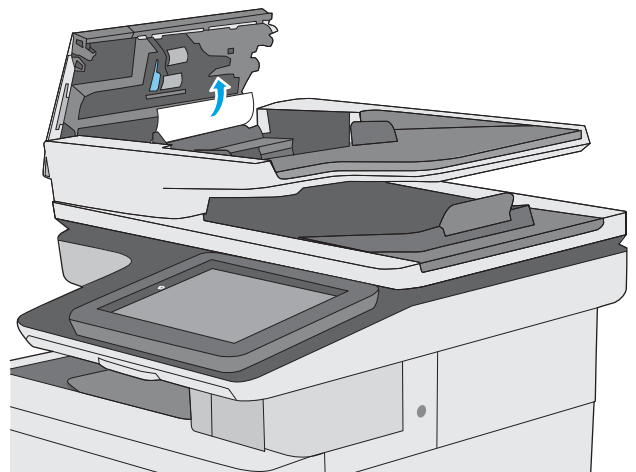
1. Lift the latch to release the document-feeder cover.



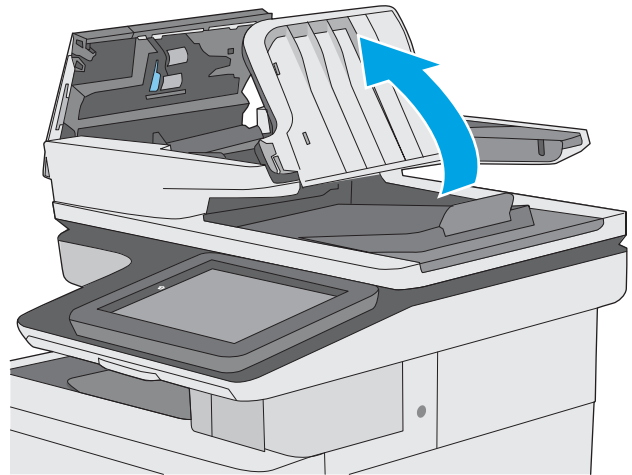
2. Open the document-feeder cover.



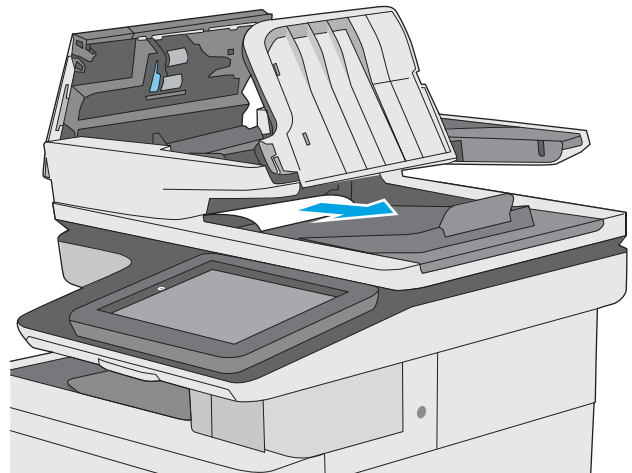
3. Remove any jammed paper.



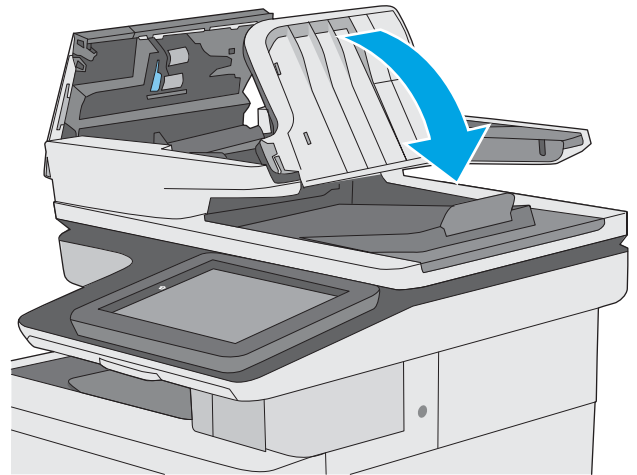
4. Lift the document-feeder input tray.



5. Remove any jammed paper.

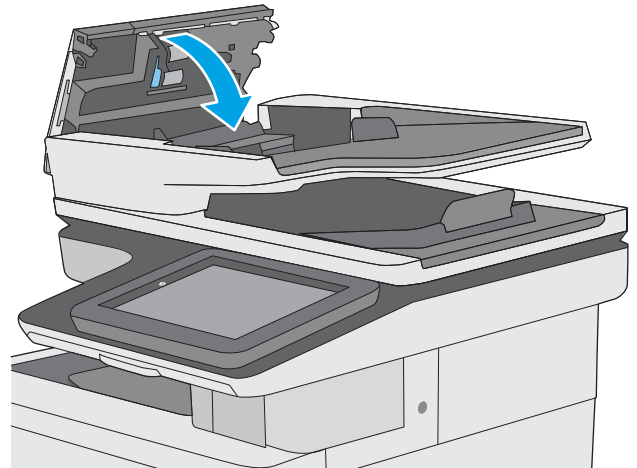




6. Lower the document-feeder input tray.



7. Close the document-feeder cover.

**NOTE:** Verify that the latch on the top of the document-feeder cover is completely closed. Misfeed or no-pick errors might occur if the document-feeder cover is not completely closed.



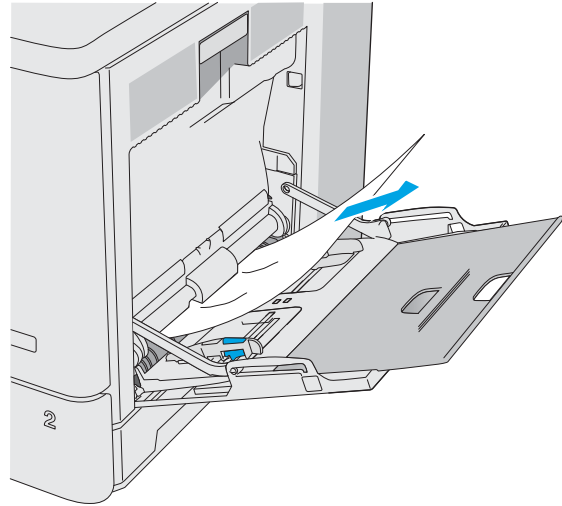
- 
-  **NOTE:** To avoid jams, make sure the guides in the document-feeder input tray are adjusted against the document, without bending the document. To copy narrow documents, use the flatbed scanner. Remove all staples and paper clips from original documents.
-  **NOTE:** Original documents that are printed on heavy, glossy paper can jam more frequently than originals that are printed on plain paper.
-

## Clear paper jams in Tray 1

Use the following procedure to check for paper in all possible jam locations related to Tray 1. When a jam occurs, the control panel displays an animation that assists in clearing the jam.

1. If most of the sheet of paper is visible in the tray, slowly pull the jammed paper out of the printer. Make sure that the entire sheet is removed. If it tears, continue with the following steps to find the remnants.

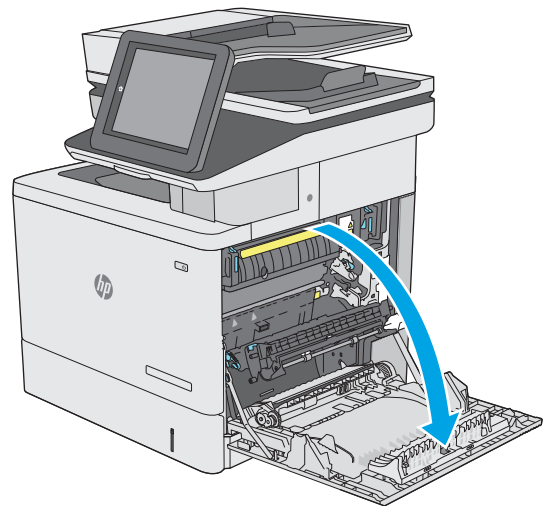
If most of the sheet of paper has been pulled inside the printer, continue with the following steps.



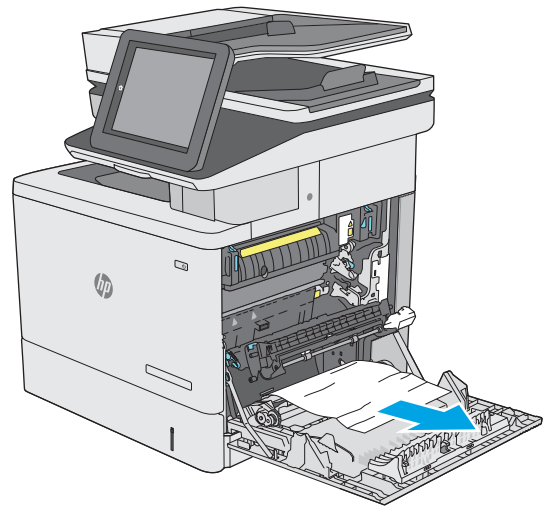
2. Lift the latch on the right door to release it.



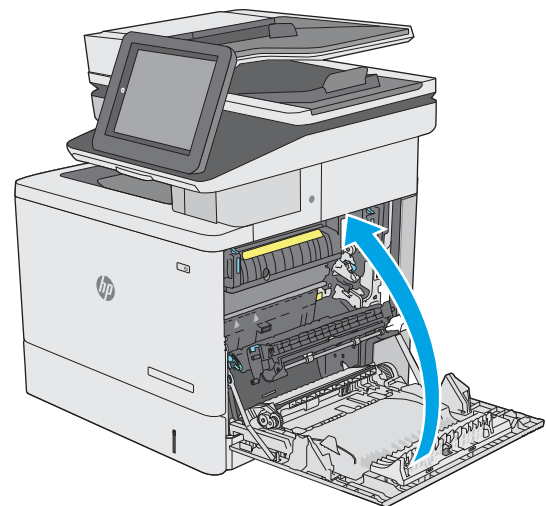
3. Open the right door.



4. If jammed paper is present, gently pull it out.



5. Close the right door.



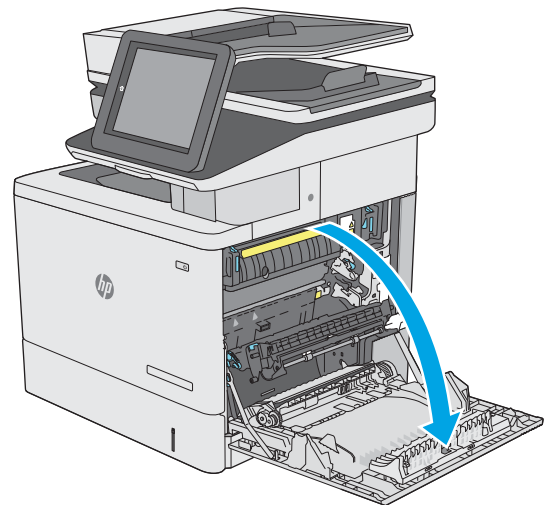
## Clear paper jams in Tray 2

Use the following procedure to check for paper in all possible jam locations related to Tray 2. When a jam occurs, the control panel displays an animation that assists in clearing the jam.

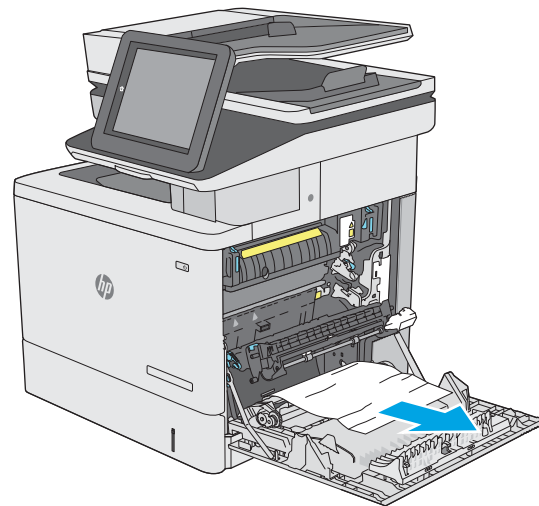
1. Lift the latch on the right door to release it.



2. Open the right door.

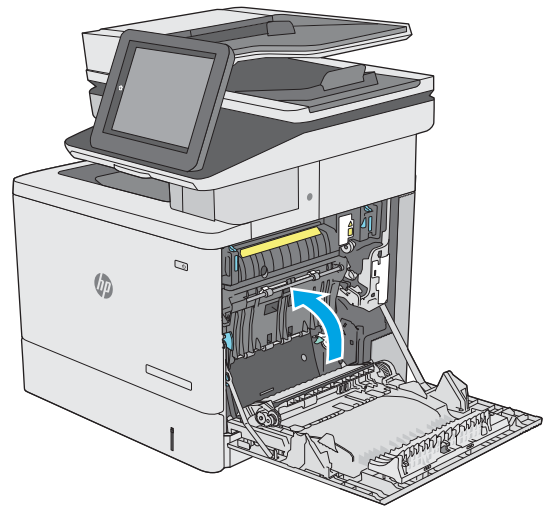


3. Gently pull out any jammed paper from the pick up area.

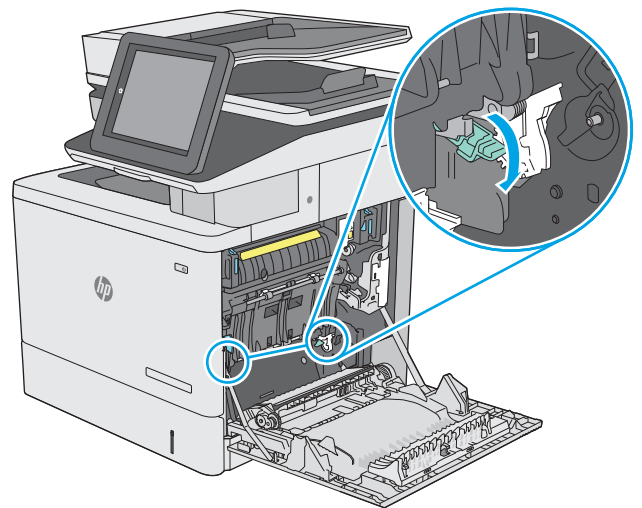




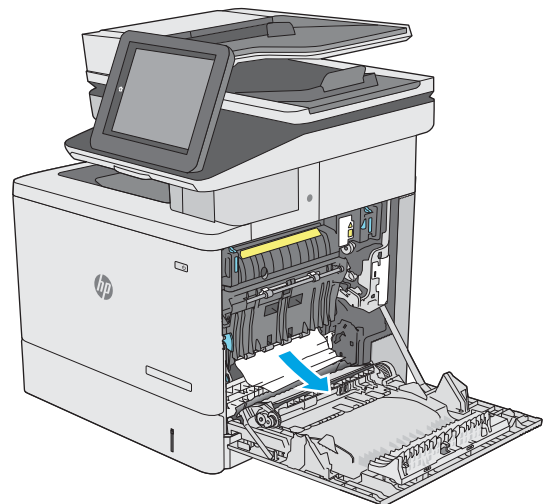
4. Close the transfer assembly.



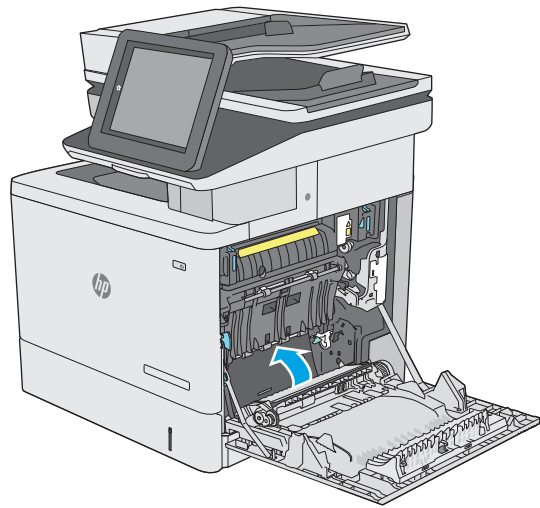
5. Push down on the green levers to release the jam-access cover.



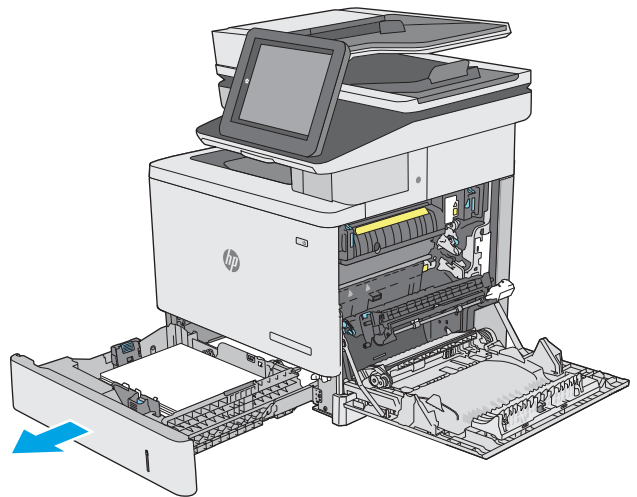
6. Gently pull out any jammed paper. If the paper tears, make sure to remove all remnants.



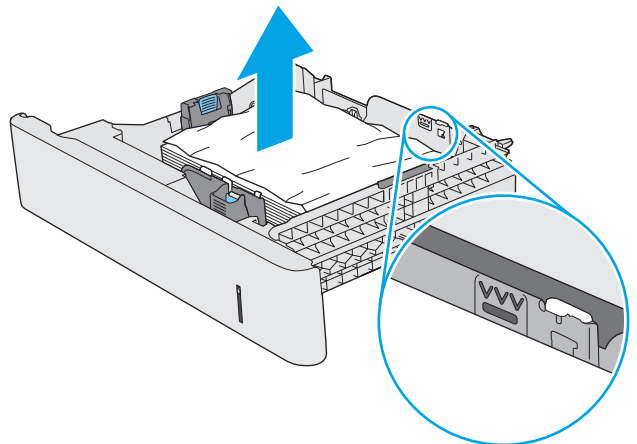
7. Close the jam-access cover, and then lower the transfer assembly.



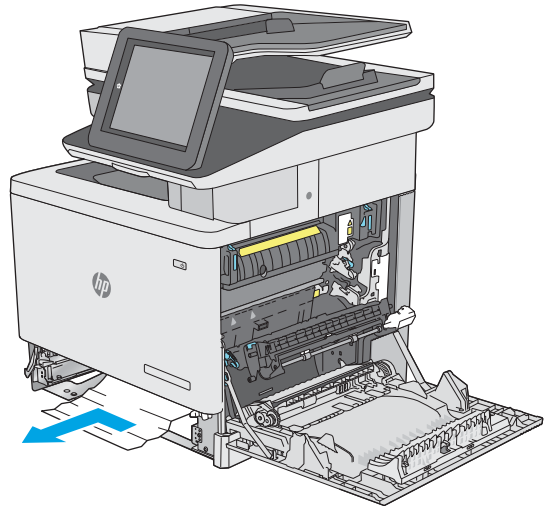
8. Pull the tray completely out of the printer by pulling and lifting it up slightly.



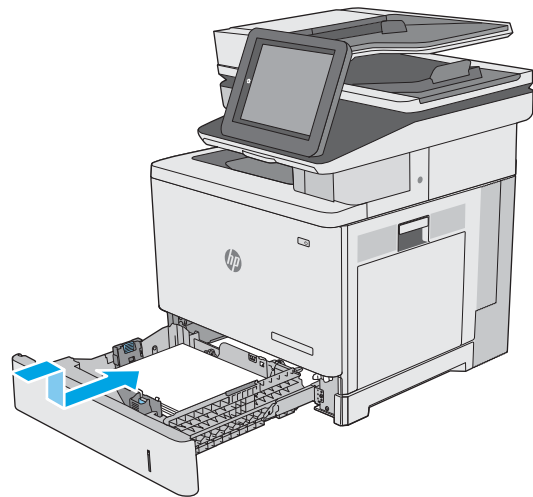
9. Remove any jammed or damaged sheets of paper. Verify that the tray is not overfilled and that the paper guides are adjusted correctly.



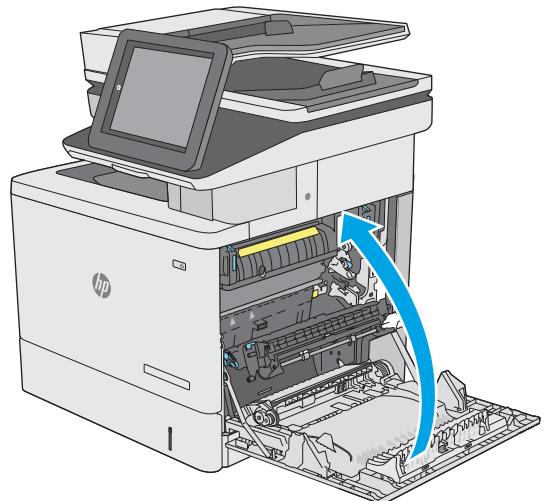
10. Remove any paper from the feed rollers inside the printer. First pull the paper to the left to release it, and then pull it forward to remove it.



11. Reinsert and close the tray.



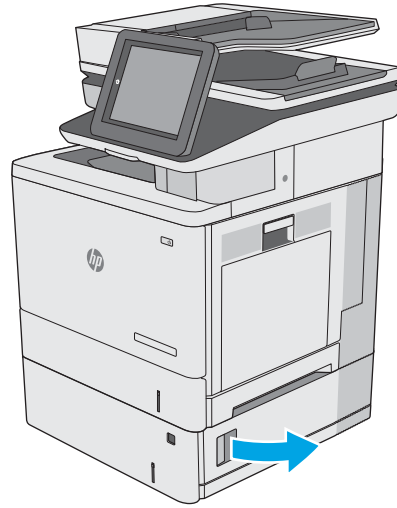
12. Close the right door.



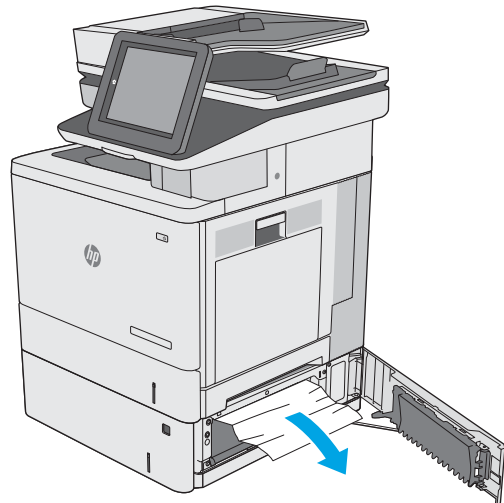
## Clear paper jams in the optional 550-sheet trays

Use the following procedure to check for paper in all possible jam locations related to the optional 550-sheet paper feeders. When a jam occurs, the control panel displays an animation that assists in clearing the jam.

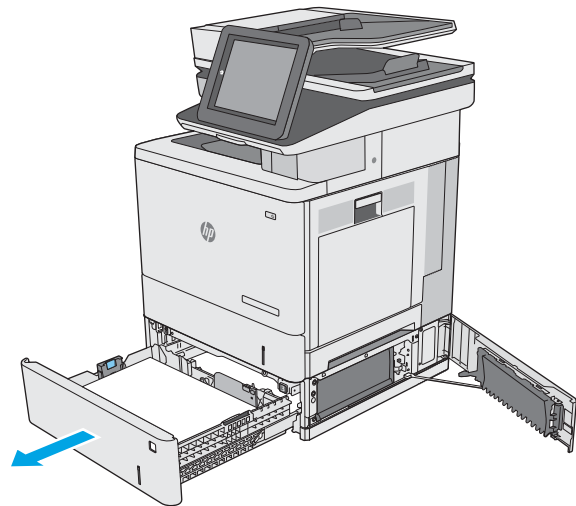
1. Open the lower-right door.



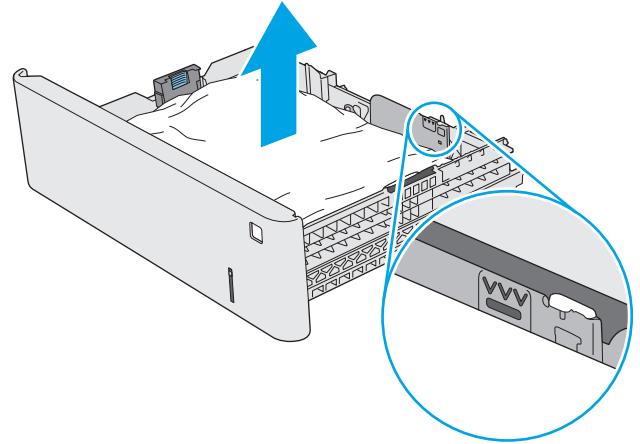
2. Gently pull out any jammed paper.



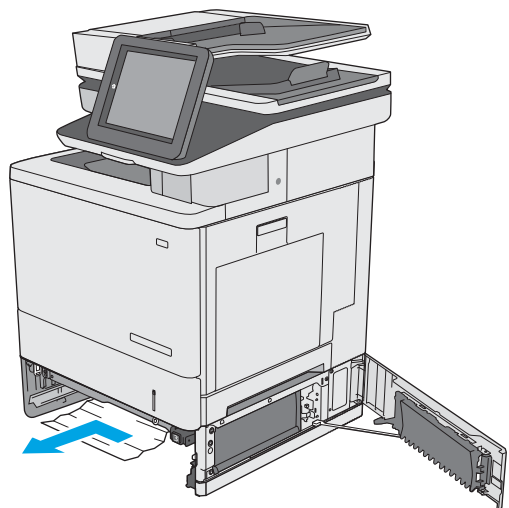
3. Pull the tray completely out of the printer by pulling and lifting it up slightly.



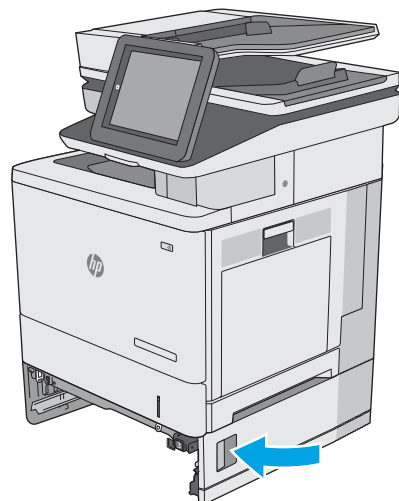
4. Remove any jammed or damaged sheets of paper. Verify that the tray is not overfilled and that the paper guides are adjusted correctly.



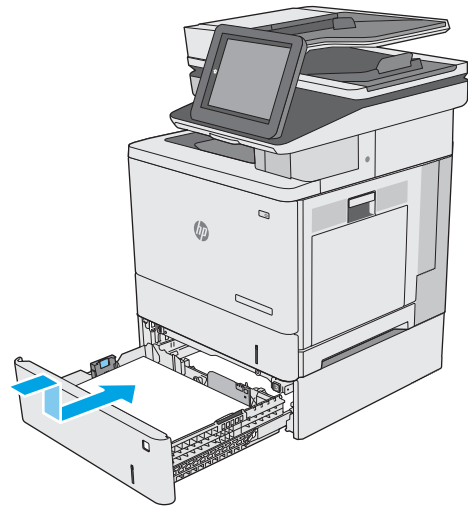
5. Remove any paper from the feed rollers inside the printer. First pull the paper to the left to release it, and then pull it forward to remove it.



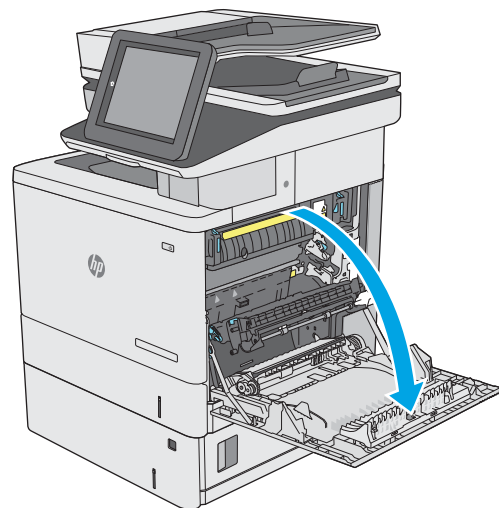
6. Close the lower-right door.



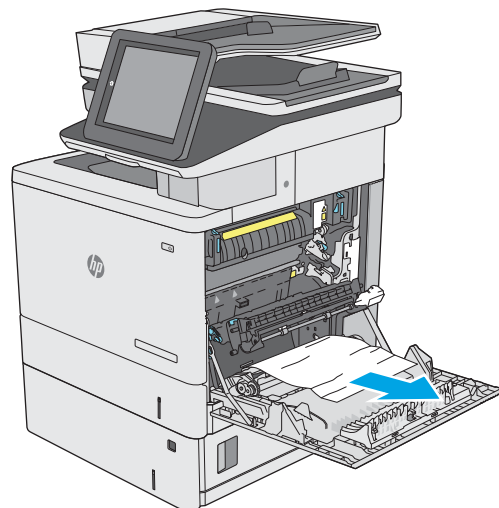
7. Reinsert and close the tray.



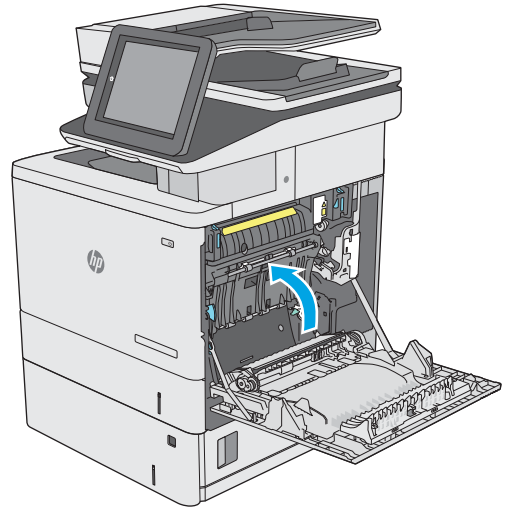
8. Open the right door.



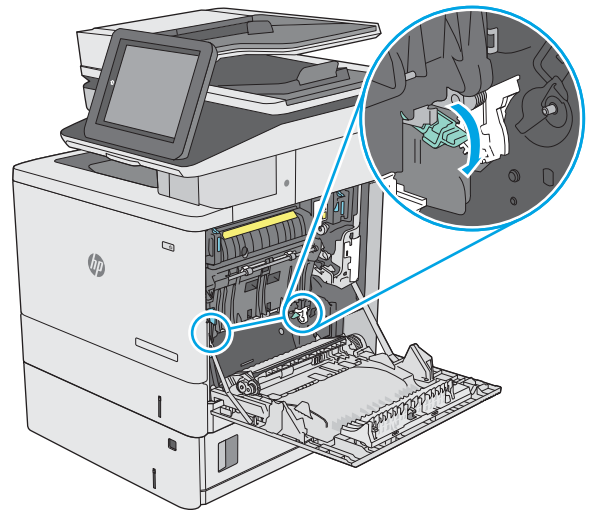
9. Gently pull out any jammed paper from the pick up area.



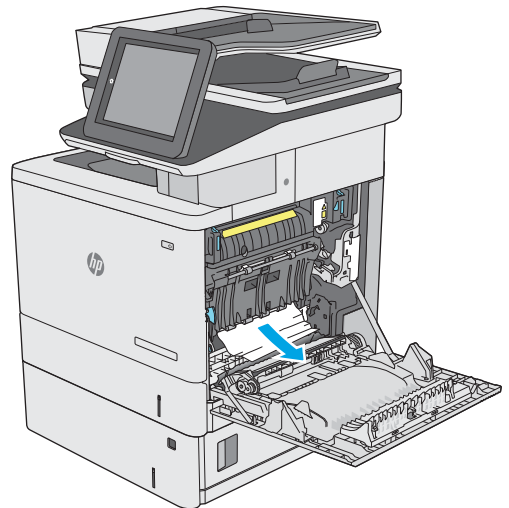
**10.** Close the transfer assembly.



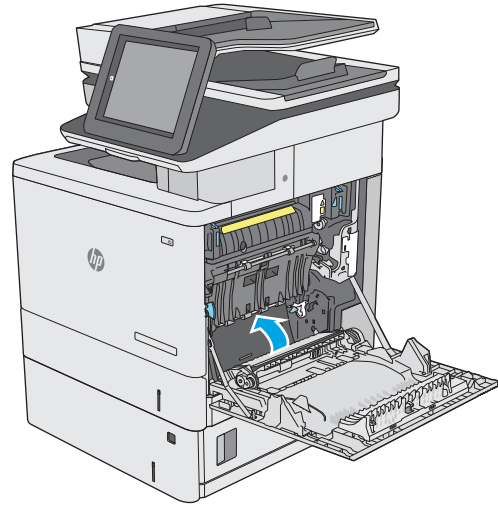
**11.** Push down on the green levers to release the jam-access cover.



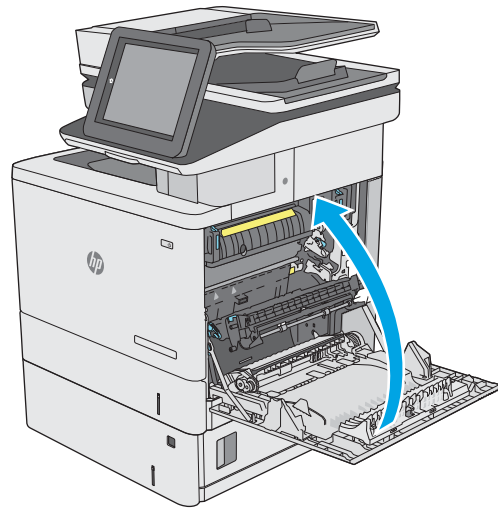
**12.** Gently pull out any jammed paper. If the paper tears, make sure to remove all remnants.



13. Close the jam-access cover, and then lower the transfer assembly.



14. Close the right door.





## Clear paper jams in the right door and the fuser area

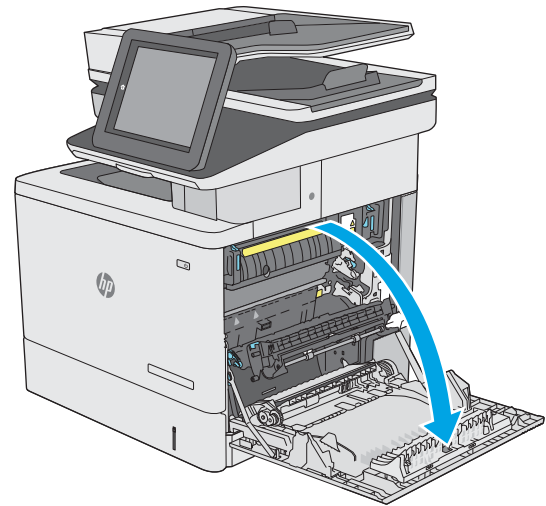
Use the following procedure to check for paper in all possible jam locations inside the right door. When a jam occurs, the control panel displays an animation that assists in clearing the jam.

**CAUTION:** The fuser can be hot while the printer is in use. Wait for the fuser to cool before handling it.

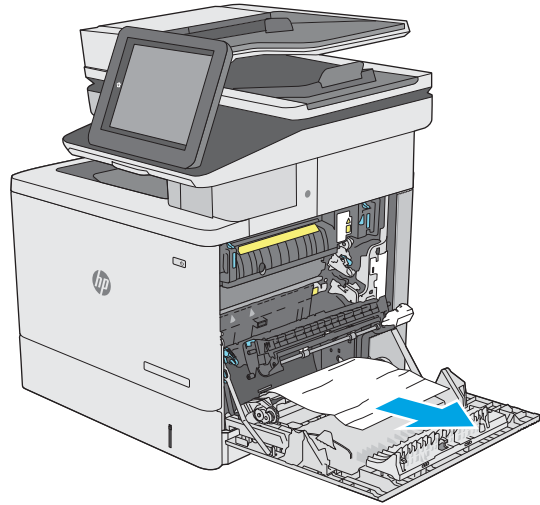
1. Lift the latch on the right door to release it.



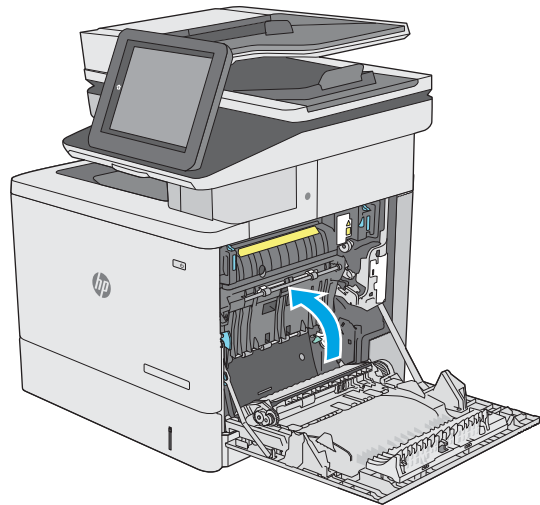
2. Open the right door.



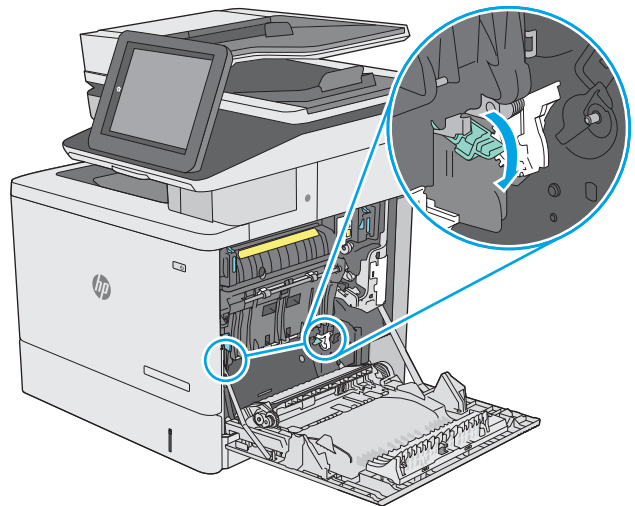
3. Gently pull out any jammed paper from the pick up area.



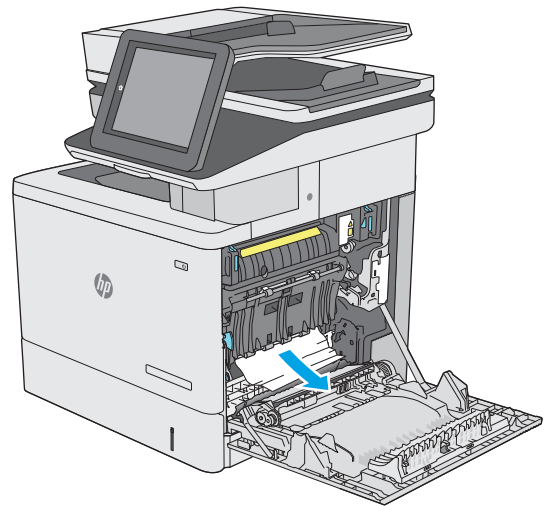
4. Close the transfer assembly.



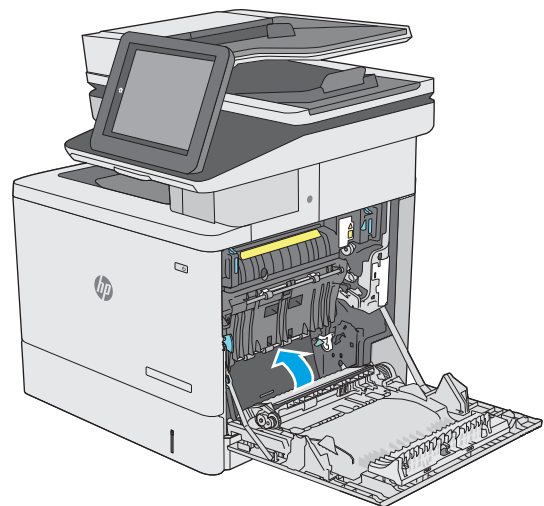
5. Push down on the green levers to release the jam-access cover.



6. Gently pull out any jammed paper. If the paper tears, make sure to remove all remnants.

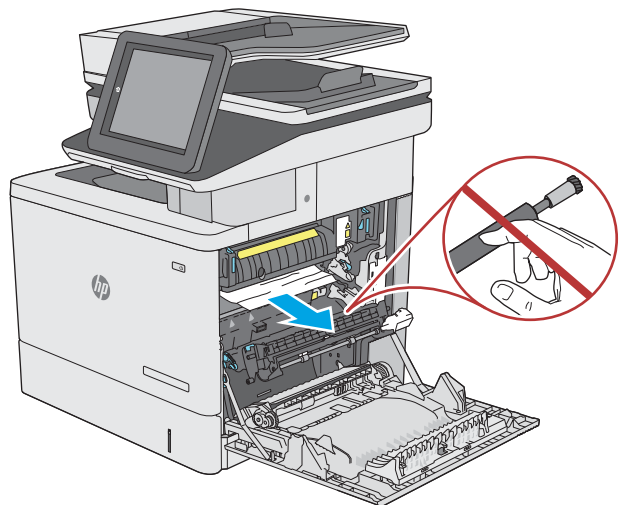


7. Close the jam-access cover, and then lower the transfer assembly.

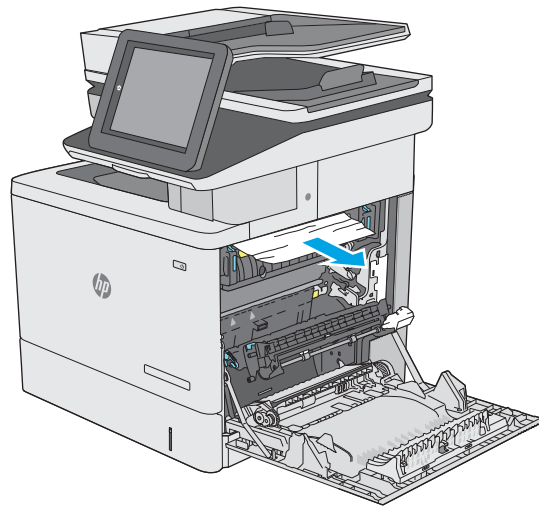


8. If paper is visible entering the bottom of the fuser, gently pull downward to remove it.

**CAUTION:** Do not touch the foam on the transfer roller. Contaminants can affect print quality.

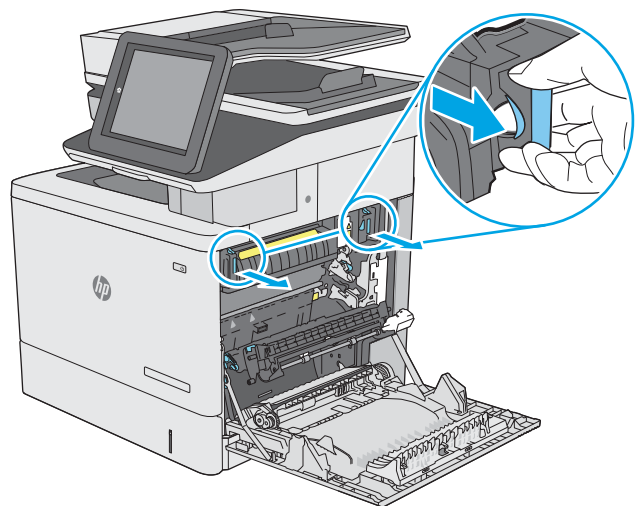


9. If paper is jammed as it enters the output bin, gently pull the paper out to remove it.



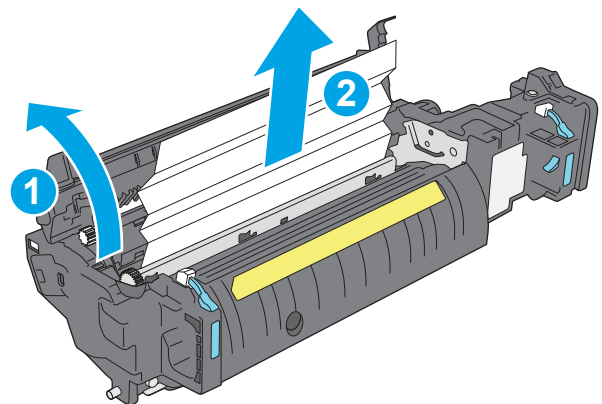
10. Paper could be jammed inside the fuser where it would not be visible. Grasp the fuser handles, lift up slightly, and then pull straight out to remove the fuser.

**CAUTION:** The fuser can be hot while the printer is in use. Wait for the fuser to cool before handling it.

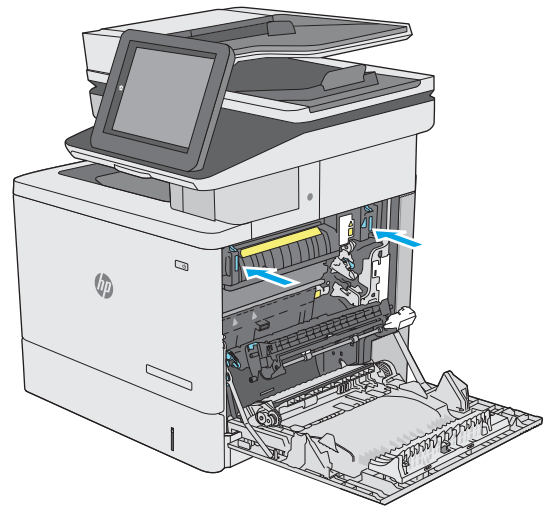


11. Open the jam-access door. If paper is jammed inside the fuser, gently pull it straight up to remove it. If the paper tears, remove all paper fragments.

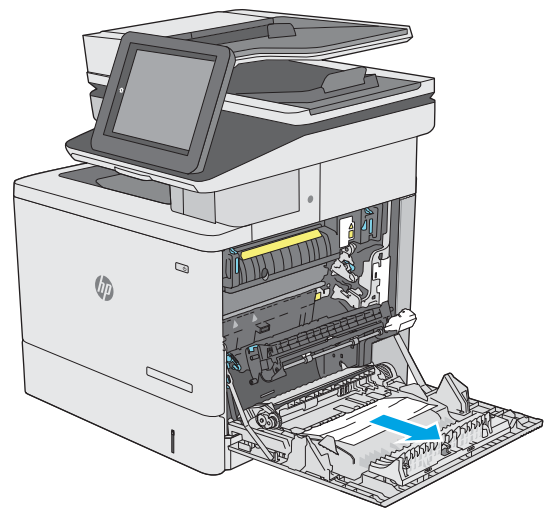
**CAUTION:** Even if the body of the fuser has cooled, the rollers that are inside could still be hot. Do not touch the fuser rollers until they have cooled.



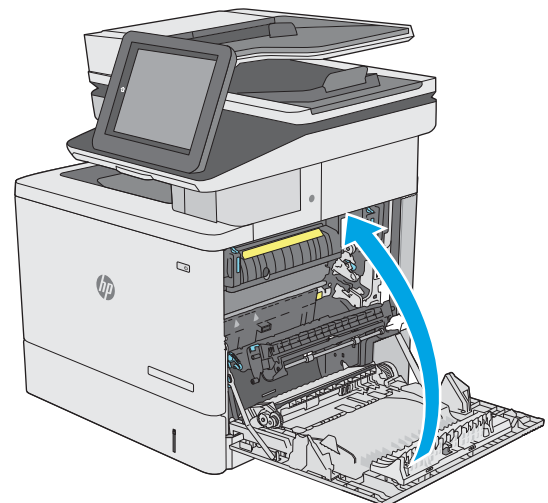
- 12.** Close the jam-access door, and push the fuser completely into the printer until it clicks into place.



- 13.** Check for jammed paper in the duplex path inside the right door, and remove any jammed paper.



- 14.** Close the right door.



## Clear paper jams in the output bin

Use the following procedure to clear jams in the output bin. When a jam occurs, the control panel displays an animation that assists in clearing the jam.


1. If paper is visible in the output bin, grasp the leading edge and remove it.




## Change jam recovery

This printer provides a jam recovery feature that reprints jammed pages.

### Change jam recovery from a touchscreen control panel

1. From the Home screen on the printer control panel, scroll to and touch the [Administration](#) button.
  2. Open the [General Settings](#) menu, and then open the [Jam Recovery](#) menu.
  3. Select one of the following options:
    - [Automatic](#) — The printer attempts to reprint jammed pages when sufficient memory is available. This is the default setting.
    - [Off](#) — The printer does not attempt to reprint jammed pages. Because no memory is used to store the most recent pages, performance is optimal.
- 
-  **NOTE:** Some pages can be lost if the printer runs out of paper while printing a duplex job with Jam Recovery set to [Off](#).
- 
- [On](#) — The printer always reprints jammed pages. Additional memory is allocated to store the last few pages printed.

### Change jam recovery from an LCD control panel

1. From the [Home](#) screen on the printer control panel, use the down arrow ▼ button to scroll to [Administration](#), and then press the [OK](#) button.
  2. Use the down arrow ▼ button to scroll to [General Settings](#), and then press the [OK](#) button.
  3. Use the down arrow ▼ button to scroll to [Jam Recovery](#), and then press the [OK](#) button.
  4. Use the down arrow ▼ button to scroll to an option, and then press the [OK](#) button to select it.
    - [Automatic](#) — The printer attempts to reprint jammed pages when sufficient memory is available. This is the default setting.
    - [Off](#) — The printer does not attempt to reprint jammed pages. Because no memory is used to store the most recent pages, performance is optimal.
- 
-  **NOTE:** Some pages can be lost if the printer runs out of paper while printing a duplex job with Jam Recovery set to [Off](#).
- 
- [On](#) — The printer always reprints jammed pages. Additional memory is allocated to store the last few pages printed.

## Solve performance problems



**NOTE:** Tray 1 and Tray 2 are optimal for paper pickup when using special paper or media other than 20lb plain paper. For Tray 1 and Tray 2 the printer increases the number of attempts to pick up a page, which increases the reliability of successfully picking the page from the tray and decreases the possibility of a mis-pick jam.

HP recommends using Tray 1 or Tray 2 if the printer is experiencing excessive or reoccurring jams from trays other than Tray 1 and Tray 2, or for print jobs that require media other than 20lb plain paper.

- [Factors affecting print performance](#)
- [Print speeds](#)
- [The printer does not print or it prints slowly](#)
- [The printer prints slowly](#)

## Factors affecting print performance

**Table 2-64 Solve performance problems**

Problem	Cause	Solution
Pages print but are totally blank.	The document might contain blank pages.	Check the original document to see if content is present on all of the pages.
	The printer might be malfunctioning.	To check the printer, print a Configuration page.
Pages print very slowly.	Heavier paper types can slow the print job.	Print on a different type of paper.
	Complex pages can print slowly.	Proper fusing might require a slower print speed to ensure the best print quality.
	Large batches, narrow paper, and special paper such as gloss, transparency, cardstock, and HP Tough Paper can slow the print job.	Print in smaller batches, on a different type of paper, or on a different size of paper.
Pages did not print.	The printer might not be pulling paper correctly.	Make sure paper is loaded in the tray correctly.
	The paper is jamming in the printer.	Clear the jam.
	The USB cable might be defective or incorrectly connected.	<ul style="list-style-type: none"><li>• Disconnect the USB cable at both ends and reconnect it.</li><li>• Try printing a job that has printed in the past.</li><li>• Try using a different USB cable.</li></ul>
	Other devices are running on the host computer.	The printer might not share a USB port. If an external hard drive or network switchbox is connected to the same port as the printer, the other device might be interfering with the printer. To connect and use the printer, disconnect the other device or use two USB ports on the host computer.



## Print speeds

Print speed is the number of pages that print in one minute. Print speed depends on different engine-process speeds or operational pauses between printed pages during normal printer operation. Factors that determine the print speed of the printer include the following:

- Page formatting time

The printer must pause for each page to be formatted before it prints. Complex pages take more time to format, resulting in reduced print speed. However, most jobs print at full engine speed.

- Media size

Legal-size media reduces print speed because it is longer than the standard Letter- or A4-size media. A reduce print speed is used when printing on narrow media to prevent the edges of the fuser from overheating.

- Media mode

Some media types require a reduced print speed to achieve maximum print quality on that media. For example, glossy, heavy, and specialty media (for example, envelopes or photos) require a reduced print speed. To maximize the print speed for special media types, make sure that the correct media type in the print driver is selected.

- Printer temperature

To prevent printer damage, print speed is reduced if the printer reaches a specific internal temperature (thermal slow down). The starting temperature of the printer, ambient environment temperature, and the print job size effect the number of pages that can be printed before the printer reduces the print speed. Thermal slow down reduces print speed by printing four pages and then pausing for an amount of time before printing continues.

- Other print speed reduction factors

Other factors (especially during large print jobs) that can cause reduced print speeds include:

- Density control sequence; occurs every 150 pages and takes about 120 seconds

## The printer does not print or it prints slowly

### The printer does not print

If the printer does not print at all, try the following solutions.

1. Make sure the printer is turned on and that the control panel indicates it is ready.
  - If the control panel does not indicate the printer is ready, turn the printer off and then on again.
  - If the control panel indicates the printer is ready, try sending the job again.
2. If the control panel indicates the printer has an error, resolve the error and then try sending the job again.
3. Make sure the cables are all connected correctly. If the printer is connected to a network, check the following items:

- Check the bottom LED next to the network connection on the printer. If the network is active, the light is green.
  - Make sure that a network cable and not a phone cord is used to connect to the network.
  - Make sure the network router, hub, or switch is turned on and that it is working correctly.
4. Install the HP software from the CD that came with the printer. Using generic printer drivers can cause delays clearing jobs from the print queue.
  5. From the list of printers on your computer, right-click the name of this printer, click **Properties**, and open the **Ports** tab.
    - If a network cable is used to connect to the network, make sure the printer name listed on the **Ports** tab matches the printer name on the printer configuration page.
    - If a USB cable is used, and the printer is connected to a wireless network, make sure the box is checked next to **Virtual printer port for USB**.
  6. If a personal firewall system on the computer is used, it might be blocking communication with the printer. Try temporarily disabling the firewall to see if it is the source of the problem.
  7. If the host computer or the printer is connected to a wireless network, low signal quality or interference might be delaying print jobs.

## The printer prints slowly

### The printer prints slowly

If the printer prints, but it seems slow, try the following solutions.

1. Make sure the computer meets the minimum specifications for this printer. For a list of specifications, go to this Web site: [www.hp.com/support/colorljM552](http://www.hp.com/support/colorljM552), [www.hp.com/support/colorljM553](http://www.hp.com/support/colorljM553), [www.hp.com/support/colorljM577MFP](http://www.hp.com/support/colorljM577MFP).
2. When the printer is configured to print on some paper types, such as heavy paper, the printer prints more slowly so it can correctly fuse the toner to the paper. If the paper type setting is not correct for the type of paper you are using, change the setting to the correct paper type.
3. If the host computer or the printer is connected to a wireless network, low signal quality or interference might be delaying print jobs.

# Solve connectivity problems

- [Solve USB connection problems](#)
- [Solve wired network problems](#)

## Solve USB connection problems

If you have connected the product directly to a computer, check the cable.

- Verify that the cable is connected to the computer and to the product.
- Verify that the cable is not longer than 2 m (6.65 ft). Try using a shorter cable.
- Verify that the cable is working correctly by connecting it to another product. Replace the cable if necessary.

## Solve wired network problems

Check the following items to verify that the product is communicating with the network. Before beginning, print a configuration page from the product control panel and locate the product IP address that is listed on this page.

- [Poor physical connection](#)
- [The computer is using the incorrect IP address for the product](#)
- [The computer is unable to communicate with the product](#)
- [The product is using incorrect link and duplex settings for the network](#)
- [New software programs might be causing compatibility problems](#)
- [The computer or workstation might be set up incorrectly](#)
- [The product is disabled, or other network settings are incorrect](#)



**NOTE:** HP does not support peer-to-peer networking, as the feature is a function of Microsoft operating systems and not of the HP print drivers. For more information, go to Microsoft at [www.microsoft.com](http://www.microsoft.com).

### Poor physical connection

1. Verify that the product is attached to the correct network port using a cable of the correct length.
2. Verify that cable connections are secure.
3. Look at the network port connection on the back of the product, and verify that the amber activity light and the green link-status light are lit.
4. If the problem continues, try a different cable or port on the hub.

### The computer is using the incorrect IP address for the product

1. Open the printer properties and click the **Ports** tab. Verify that the current IP address for the product is selected. The product IP address is listed on the product configuration page.
2. If you installed the product using the HP standard TCP/IP port, select the box labeled **Always print to this printer, even if its IP address changes**.

3. If you installed the product using a Microsoft standard TCP/IP port, use the hostname instead of the IP address.
4. If the IP address is correct, delete the product and then add it again.

### The computer is unable to communicate with the product

1. Test network communication by pinging the network.
  - a. Open a command-line prompt on your computer. For Windows, click **Start**, click **Run**, type `cmd`, and then press **Enter**.
  - b. Type `ping` followed by the IP address for your product.  
  
For Mac OS X, open the Network Utility, and then supply the IP address in the correct field in the **Ping** pane.
  - c. If the window displays round-trip times, the network is working.
2. If the ping command failed, verify that the network hubs are on, and then verify that the network settings, the product, and the computer are all configured for the same network.

### The product is using incorrect link and duplex settings for the network

Hewlett-Packard recommends leaving these settings in automatic mode (the default setting). If you change these settings, you must also change them for your network.

### New software programs might be causing compatibility problems

Verify that any new software programs are correctly installed and that they use the correct print driver.

### The computer or workstation might be set up incorrectly

1. Check the network drivers, print drivers, and the network redirection settings.
2. Verify that the operating system is configured correctly.

### The product is disabled, or other network settings are incorrect

1. Review the configuration page to check the status of the network protocol. Enable it if necessary.
2. Reconfigure the network settings if necessary.

# Service mode functions

- [Service menu](#)
- [Printer resets](#)
- [Format Disk and Partial Clean functions](#)

## Service menu

The [Service](#) menu is PIN-protected for added security. Only authorized service people have access to the [Service](#) menu. When selecting [Service](#) from the list of menus, the printer prompts the user to enter an eight-digit personal identification number (PIN).



**NOTE:** The printer automatically exits the [Service](#) menu after about one minute if no items are selected or changed.

### Open the service menu from a touchscreen control panel

1. From the Home screen on the printer control panel, scroll to and touch the [Device Maintenance](#) button.
2. Open the [Service](#) menu.
3. On the sign-in screen, select [Service Access Code](#) from the drop-down list.
4. Enter the following service access code for the printer:
  - 04055215 (M552)
  - 04055315 (M553)
  - 11057715 (M577)

### Open the service menu from an LCD control panel

1. From the [Home](#) screen on the printer control panel, use the down arrow ▼ button to scroll to [Device Maintenance](#), and then press the [OK](#) button.
2. Use the down arrow ▼ button to scroll to [Service](#), and then press the [OK](#) button to select it.
3. Use the down arrow ▼ button to scroll to [Service Access Code](#), and then press the [OK](#) button to select it.
4. Enter the following service access code for the printer:



**NOTE:** After entering the PIN, press the [OK](#) button.

- 04055215 (M552)
- 04055315 (M553)
- 11057715 (M577)

The following menu items appear in the [Service](#) menu:

First level	Second level	Value	Description
<a href="#">Event Log</a>	<a href="#">Print</a>		Print or the event log.

First level	Second level	Value	Description
Clear Event Log	Clear		Use this item to clear the printer event log.
Cycle Counts	Total Engine Cycles		Set the page count that was stored in NVRAM prior to installing a new formatter.
	Mono Cycle Count		Set the mono page printed count.
	Color Cycle Count		Set the color page printed count.
	Refurbish Cycle Count		Use this item to record the page count when the printer was refurbished.
Serial Number			Set the serial number.
Service ID			Use this item to show the date that the printer was first used on the control panel. This eliminates the need for users to keep paper receipts for proof of warranty.
Cold Reset Paper			When you perform a cold reset, the paper size that is stored in NVRAM is reset to the default factory setting. If you replace a formatter board in a country/region that uses A4 as the standard paper size, use this menu to reset the default paper size to A4. LETTER and A4 are the only available values.
New Registration Roller		Yes	Reset the counter for the registration roller after replacing the registration assembly.
		No	
New Transfer Kit		Yes	Reset the counter for the registration roller after replacing the transfer kit.
		No	
Low Alerts		Enable	Turn on (or off) low alerts (for supplies).
		Disable	
Reset Low Alerts			<ul style="list-style-type: none"> <li>Reset to level 1</li> <li>Reset to level 2</li> <li>Reset to level 3</li> <li>Set to non-HP managed mode</li> </ul>
Test Support	Continuous Print from USB		
	Automatic Calibrations	Disabled	
		Enabled*	

## Printer resets

### Restore factory-set defaults



**NOTE:** The printer restarts automatically after the reset operation completes.

#### Restore factory-set defaults from a touchscreen control panel

1. From the Home screen on the printer control panel, scroll to and touch the **Administration** button.
2. Open the following menus:
  - **General Settings**
  - **Restore Factory Settings**
3. A verification message advises that completing the reset function might result in loss of data. Touch the **Reset** button to complete the process.

#### Restore factory-set defaults from an LCD control panel

1. From the **Home** screen on the printer control panel, use the down arrow ▼ button to scroll to **Administration**, and then press the **OK** button.
2. Use the down arrow ▼ button to scroll to **General Settings**, and then press the **OK** button to select it.
3. Use the down arrow ▼ button to scroll to **Restore Factory Settings**, and then press the **OK** button to select it.
4. Use the down arrow ▼ button to scroll to **Restore**, and then press the **OK** button to select it.
5. A verification message advises that completing the reset function might result in loss of data. Touch the **Reset** button to complete the process.

## Restore the service ID

### Restore the service ID

When replacing the formatter, the date is lost. Use this menu item to reset the date to the original date that the printer was first used. The date format is YYDDD. Use the following formula to calculate the dates:

1. To calculate YY, subtract 1990 from the calendar year. For instance, if the printer was first used in 2002, calculate YY as follows:  $2002 - 1990 = 12$ .  $YY = 12$ .
2. Subtract 1 from 10 (October is the tenth month of the year):  $10 - 1 = 9$ .
  - Multiply 9 by 30:  $9 \times 30 = 270$  or add 17 to 270:  $270 + 17 = 287$ . Thus,  $DDD = 287$ .

### Convert the service ID to an actual date

Use the printer Service ID number to determine whether the printer is still under warranty. Use the following formula to convert the Service ID into the installation date as follows:

1. Add 1990 to YY to get the actual year that the printer was installed.
2. Divide DDD by 30. If there is a remainder, add 1 to the result. This is the month.
3. The remainder from the calculation in step 2 is the date.

Using the Service ID 12287 as an example, the date conversion is as follows:

1.  $12 + 1990 = 2002$ , so the year is 2002.
2. 287 divided by 30 = 9 with a remainder of 17. Because there is a remainder, add 1 to 9 to get 10, which represents October.
3. The remainder in step 2 is 17, so that is the date.
4. The complete date is 17-October-2002.

 **NOTE:** A six-day grace period is built into the date system.

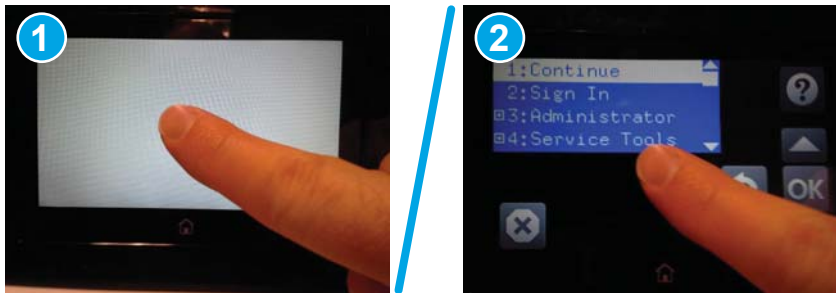
## Printer cold reset

### Cold reset using the Pre-boot menu from a touchscreen control panel

 **CAUTION:** This procedure resets all printer configurations and settings to factory defaults (customer configurations and settings are lost).

1. Touch in the middle of the control-panel display when you see the 1/8 under the HP logo.

**Figure 2-141** Open the Pre-boot menu




2. Use the down arrow ▼ button to highlight the +3:Administrator item, and then touch the OK button.
3. Use the down arrow ▼ button to highlight the +8:Startup Options item, and then touch the OK button.
4. Use the down arrow ▼ button to highlight the 2 Cold Reset item, and then touch the OK button to select it.
5. Touch the Home button to return to the main Pre-boot menu and highlight the 1:Continue item, and then touch the OK button.

 **NOTE:** The printer will initialize.

### Cold reset using the Pre-boot menu from an LCD control panel

 **CAUTION:** This procedure resets all printer configurations and settings to factory defaults (customer configurations and settings are lost).

1. Press the Cancel  button when you see the 1/8 under the HP logo.
2. Use the down arrow ▼ button to highlight the +3:Administrator item, and then press the OK button.
3. Use the down arrow ▼ button to highlight the +8:Startup Options item, and then press the OK button.



4. Use the down arrow ▼ button to highlight the **2 Cold Reset** item, and then press the **OK** button to select it.
5. Touch the Home button to return to the main Pre-boot menu and highlight the **1:Continue** item, and then touch the **OK** button.


---

 **NOTE:** The printer will initialize.

---

## Format Disk and Partial Clean functions

---

 **NOTE:** Only for products with an optional hard-disk drive (HDD) installed).

---

### Active and repository firmware locations

The firmware bundle consists of multiple parts. The main components are the Windows CE Operating System and the printer/peripheral firmware files.


There are two locations/partitions on the hard drive where the firmware components are stored:

- The Active, where the operating system and firmware currently are executing.
- The Repository, the recovery location.

If the Active location is damaged, or a [Partial Clean](#) was performed, the printer automatically copies over the OS and firmware files from the Repository location and the printer recovers.

If both the Active and Repository locations are damaged, or a [Format Disk](#) was performed, then both locations are gone and the error message **99.09.67** displays on the control-panel display. The user must upload the firmware to the printer in order for it to function again.

---

 **CAUTION:** The [Format Disk](#) option performs a disk initialization for the entire disk. The operating system, firmware files, and third party files (among other files) will be completely lost. HP does not recommend this action.

---

### Partial Clean

The [Partial Clean](#) option erases all data from the partitions, except for the firmware repository where a backup copy of the firmware file is stored. This allows the disk drive to be reformatted without having to download a firmware upgrade file to return the printer to a bootable state.

#### Characteristics of a Partial Clean

- Customer-defined settings, third-party solutions, firmware files, and the operating system are deleted.
- Rebooting the printer restores the firmware files from the Repository location, but does not restore any customer-defined settings.
- For previous HP products, a Hard Disk Initialization is similar to executing the [Partial Clean](#) function for this printer.

---


 **CAUTION:** HP recommends backing-up printer configuration data before executing a [Partial Clean](#) to retain customer-defined settings (if needed). See the [Backup/Restore](#) item in the [Device Maintenance](#) menu.

---

#### Reasons for performing Partial Clean

- The printer continually boots up in an error state.

---

 **NOTE:** Try clearing the error prior to executing a [Partial Clean](#).

---

- The printer will not respond to commands from the control panel.
- Executing the [Partial Clean](#) function is helpful for troubleshooting hard disk problems.

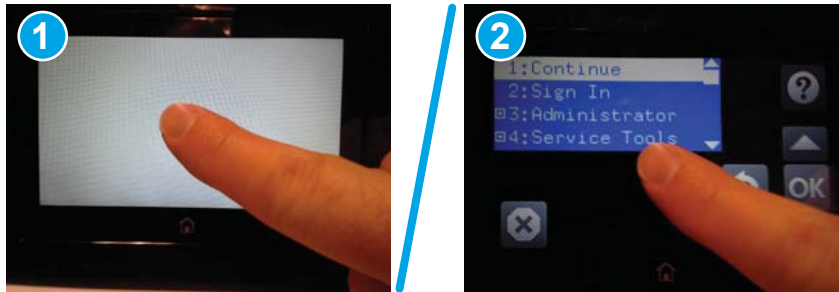
- To reset the printer by deleting all solutions and customer-defined settings.
- The printer default settings are not properly working.

## Execute a Partial Clean


### Execute a Partial Clean from a touchscreen control panel

1. Touch in the middle of the control-panel display when you see the 1/8 under the HP logo.

**Figure 2-142** Open the Pre-boot menu





2. Use the down arrow ▼ button to highlight the +3:Administrator item, and then touch the OK button.
3. Use the down arrow ▼ button to highlight Partial Clean and then touch the OK button.
4. Touch the OK button again.
5. Touch the Home button to highlight Continue, and then touch the OK button.

 **NOTE:** The printer initializes.

### Execute a Partial Clean from an LCD control panel

 **CAUTION:** This procedure resets all printer configurations and settings to factory defaults (customer configurations and settings are lost).

1. Press the Cancel  button when you see the 1/8 under the HP logo.
2. Use the down arrow ▼ button to highlight the +3:Administrator item, and then press the OK button.
3. Use the down arrow ▼ button to highlight Partial Clean and then press the OK button.
4. Press the OK button again.
5. Press the Home button to highlight Continue, and then press the OK button.

 **NOTE:** The printer initializes.


## Format Disk

The **Format Disk** option erases the entire disk drive.


 **CAUTION:** After executing a **Format Disk** option, the printer is *not* bootable.

## Characteristics of a Format Disk

- Customer-defined settings, third-party solutions, firmware files, and the operating system are deleted.

 **NOTE:** Rebooting the printer *does not* restore the firmware files.


- Rebooting the printer restores the firmware files from the Repository location, but does not restore any customer-defined settings.
- After executing the [Format Disk](#) function, the message **99.09.67** displays on the control panel.
- After executing the [Format Disk](#) function, the printer firmware must be reloaded.

 **CAUTION:** HP recommends not using the [Format Disk](#) option unless an error occurs and the solution in the printer service manual recommends this solution. After executing the [Format Disk](#) function, the printer is unusable.

HP recommends backing-up printer configuration data before executing a [Format Disk](#) to retain customer-defined settings (if needed). See the [Backup/Restore](#) item in the [Device Maintenance](#) menu.

## Reasons for performing Format Disk

- The printer continually boots up in an error state.

 **NOTE:** Try clearing the error prior to executing a [Format Disk](#).

- The printer will not respond to commands from the control panel.
- Executing the [Format Disk](#) function is helpful for troubleshooting hard disk problems.
- To reset the printer by deleting all solutions and customer-defined settings.

## Execute a Format Disk

### Execute a Format Disk from a touchscreen control panel

1. Touch in the middle of the control-panel display when you see the **1/8** under the HP logo.

**Figure 2-143** Open the Pre-boot menu




2. Use the down arrow ▼ button to highlight the **+3:Administrator** item, and then touch the **OK** button.
3. Use the down arrow ▼ button to highlight **Format Disk**, and then touch the **OK** button.
4. Touch the **OK** button again.




 **NOTE:** When the [Format Disk](#) operation is complete, reload the printer firmware.


## Execute a Format Disk from an LCD control panel

---

 **CAUTION:** This procedure resets all printer configurations and settings to factory defaults (customer configurations and settings are lost).

---

1. Press the **Cancel**  button when you see the **1/8** under the HP logo.
2. Use the down arrow  button to highlight the **+3:Administrator** item, and then press the **OK** button.
3. Use the down arrow  button to highlight **Format Disk**, and then press the **OK** button.
4. Press the **OK** button again.

 **NOTE:** When the **Format Disk** operation is complete, reload the printer firmware.

---

# Firmware upgrades

To download the most recent firmware upgrade for the printer, go to:

- In the US, go to [www.hp.com/support/colorljM552](http://www.hp.com/support/colorljM552), [www.hp.com/support/colorljM553](http://www.hp.com/support/colorljM553), [www.hp.com/support/colorljM577MFP](http://www.hp.com/support/colorljM577MFP).

- a. Select **Get drivers, Software, and Firmware**, and then select the appropriate printer by name.



---

**NOTE:** More than one printer model might be listed. Make sure to select the correct model so that the upgraded firmware supports all of the product functions.

---

- b. Select the driver language and operating system.
- c. Locate the firmware download, and then select **Download**.

- Outside the U.S., go to [www.hp.com/support](http://www.hp.com/support).

- a. Select your country/region.
- b. Select **Drivers & Downloads**.
- c. Enter the printer name in the **Find my product** dialogue box, and then select **Go**.



---

**TIP:** Click on the **How do I find my product name/number?** link to see a short video on identifying the printer name and number.

---

- d. Select the appropriate printer by name.



---

**NOTE:** More than one printer model might be listed. Make sure to select the correct model so that the upgraded firmware supports all of the product functions.

---

- e. Select the driver language and operating system.
- f. Locate the firmware download, and then select **Download**.

- [Determine the installed revision of firmware](#)
- [Perform a firmware upgrade](#)

## Determine the installed revision of firmware



**NOTE:** Print a configuration page to determine the installed revision of firmware. The firmware revision number is found in the "Device Information" section on the configuration page.

---

### Print the configuration page from a touchscreen control panel

1. From the [Home](#) screen on the printer control panel, scroll to and touch the [Administration](#) button.
2. Open the following menus:
  - [Reports](#)
  - [Configuration/Status Pages](#)
3. Touch [Configuration Page](#) to select it.
4. Touch the [Print](#) button to print the pages.

### Print the configuration page from an LCD control panel

1. From the [Home](#) screen on the printer control panel, use the down arrow ▼ button to scroll to [Administration](#), and then press the [OK](#) button.
2. Open the following menus:
  - [Reports](#)
  - [Configuration/Status Pages](#)
3. Use the down arrow ▼ button to scroll to [Configuration Page](#), and then press the [OK](#) button to select it.
4. Use the up arrow ▲ button to scroll to [Print](#), and then press the [OK](#) button to print the pages.

## Perform a firmware upgrade

The firmware bundle is a .bdl file. This file requires an interactive upgrade method. The traditional FTP, LPR or Port 9100 methods of upgrading are not available. Use one of the following methods to upgrade the firmware for this printer.

### HP Embedded Web Server



---

**NOTE:** The printer should be at the **Ready** state.

The firmware update might take 10 minutes or longer based on the input/output (I/O) transfer rates and the time it takes for the printer to reinitialize.

---

1. Open an Internet browser window.
2. Enter the printer IP address in the URL line.
3. Select the **Firmware Upgrade** link from the **General** tab or from the **Troubleshooting** tab.
4. Browse to the location that the firmware upgrade file was downloaded to, and then select the firmware file—the file has a .bdl file extension. Select the **Install** button to perform the upgrade.



---


**NOTE:** Do not close the browser window OR interrupt communication until the HP Embedded Web Server (EWS) displays the confirmation page.

---

5. After the printer reinitializes, print a configuration page and verify that the latest firmware version has been installed.



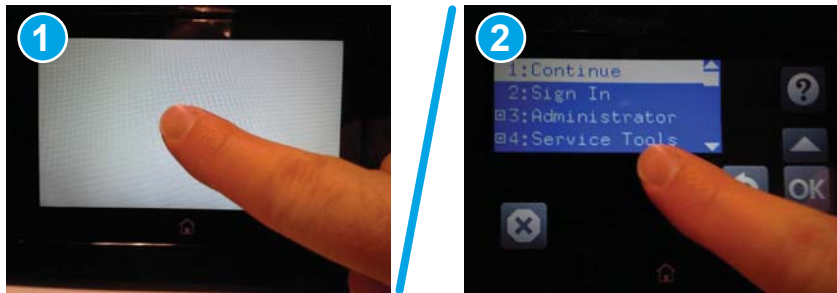
## USB flash drive (Pre-boot menu)

 **IMPORTANT:** Only use this method of performing a firmware upgrade if the printer cannot initialize to the **Ready** state.

### USB flash drive firmware (Pre-boot menu) update from a touchscreen control panel

1. Copy the .bdl file to a portable USB flash drive.
2. Touch in the middle of the control-panel display when you see the 1/8 under the HP logo.


**Figure 2-144** Open the Pre-boot menu




3. Touch the down arrow ▼ button to highlight **+3 Administrator**, and then touch the **OK** button.
4. If necessary, touch the down arrow ▼ button to highlight **+1 Download**, and then touch the **OK** button.
5. Insert the USB flash drive with the .bdl file on it.

 **NOTE:** If the error message **No USB Thumbdrive Files Found** displays on the control-panel display, try using a different portable storage device.


6. Touch the down arrow ▼ button to highlight **USB Thumbdrive**, and then touch the **OK** button.
7. Touch the down arrow ▼ button to highlight the .bdl file, and then touch the **OK** button.

 **NOTE:** The upgrade process can take 10 minutes or longer to complete.

 **TIP:** If there is more than one .bdl file on the storage device, make sure to select the correct file for this printer.

8. When the message **Complete** displays on the control-panel display, touch the ▼ button several times until the message **Continue** displays.
9. Touch the **OK** button to begin the upgrade. When the upgrade is complete, the printer will initialize to the **Ready** state.
10. When the upgrade process is complete, print a configuration page and verify that the upgrade firmware version was installed.

### USB flash drive firmware (Pre-boot menu) update from an LCD control panel

1. Press the **Cancel**  button when you see the 1/8 under the HP logo.
2. Press the down arrow ▼ button to highlight **+3 Administrator**, and then press the **OK** button.
3. If necessary, press the down arrow ▼ button to highlight **+1 Download**, and then press the **OK** button.
4. Insert the USB flash drive with the .bdl file on it.


---


 **NOTE:** If the error message **No USB Thumbdrive Files Found** displays on the control-panel display, try using a different portable storage device.

---

5. Press the down arrow ▼ button to highlight **USB Thumbdrive**, and then press the **OK** button.
6. Press the down arrow ▼ button to highlight the .bdl file, and then press the **OK** button.

---



 **NOTE:** The upgrade process can take 10 minutes or longer to complete.

 **TIP:** If there is more than one .bdl file on the storage device, make sure to select the correct file for this printer.

---


7. When the message **Complete** displays on the control-panel display, press the ▼ button several times until the message **Continue** displays.
8. Touch the **OK** button to begin the upgrade. When the upgrade is complete, the printer will initialize to the **Ready** state.
9. When the upgrade process is complete, print a configuration page and verify that the upgrade firmware version was installed.

## USB flash drive (control-panel menu)

- 
-  **NOTE:** USB flash drives that are not using a FAT32 format, or do not have a CD formatted partition, might not be recognized by the printer. If the printer does not recognize a USB flash drive, try using a different USB flash drive.
-  **TIP:** The USB port on the printer must be enabled. If it is disabled, use the [Enable Retrieve from USB](#) item in the [General Settings](#) menu to enable it.
- 

### USB flash drive firmware update from a touchscreen control panel

1. Copy the .bdl file to a portable USB flash drive.
2. Turn the printer on, and then wait until it reaches the **Ready** state.
3. From the [Home](#) screen on the printer control panel, scroll to and touch the [Device Maintenance](#) button.
4. Touch the [USB Firmware Upgrade](#) button.
5. Insert the portable USB storage device with the .bdl file on it into the USB port on the front of the printer.
6. Touch the .bdl file, and then touch the [Upgrade](#) button.

- 
-  **TIP:** If there is more than one .bdl file on the storage device, make sure to select the correct file for this printer.
- 

7. Select one of the following options:

- [Upgrade](#)



---

**NOTE:** The upgrade process can take 10 minutes or longer to complete.


---

- [Re-install](#)
- [Downgrade](#)

8. When the upgrade is complete, the printer will initialize to the **Ready** state. Print a configuration page and verify that the upgrade firmware version was installed.

### USB flash drive firmware update from an LCD control panel

1. From the [Home](#) screen on the printer control panel, use the down arrow ▼ button to scroll to [Device Maintenance](#), and then press the [OK](#) button.
2. Open the following menus:
  - [USB Firmware Upgrade](#)
3. Insert the portable USB storage device with the .bdl file on it into the USB port on the printer.
4. If necessary, use the down arrow ▼ button to scroll to the appropriate .bdl file, and then press the [OK](#) button to select.
5. Use the down arrow ▼ button to scroll to [Upgrade](#), and then press the [OK](#) button to start the firmware upgrade.

- 
-  **NOTE:** If the firmware in the .bdl file on the portable USB storage device matches the installed firmware on the printer, [Upgrade](#) is replaced by [Re-Install](#).
-

## Solve email problems

If [Scan to E-mail](#) problems occur, try these solutions:

- Make sure this feature has been set up. If this feature has not been set up, use the setup wizard in the HP Device Toolbox (Windows) or HP Utility for Mac OS X software to set it up.
- Make sure the Scan to Email feature is enabled. If it has been disabled, enable the feature through the HP Device Toolbox (Windows) or HP Utility for Mac OS X software.
- Make sure that the printer is connected to a computer or to a network.

### Cannot connect to the email server

- Make sure the SMTP or LDAP server name is correct. Check this setting with your system administrator or Internet Service Provider.
- If the printer cannot establish a secure connection to the SMTP or LDAP server, try without the secure connection or try a different server or port. Check this setting with your system administrator or Internet Service Provider.
- If the SMTP or LDAP server requires authentication, make sure a valid user name and password are used.
- If the SMTP or LDAP server uses an authentication method that is not supported, try a different server. Check this setting with your system administrator or Internet Service Provider.

### Validate the SMTP gateway (Windows)

1. Open an MS-DOS command prompt: click **Start**, click **Run**, type `cmd`, and then press the [Enter](#) key.
2. In the command prompt window, type `telnet` followed by the SMTP gateway address and then the number 25, which is the port over which the printer is communicating. For example, type `telnet 123.123.123.123 25` where "123.123.123.123" represents the SMTP gateway address.
3. Press the [Enter](#) key. If the SMTP gateway address is not valid, the response contains the message **Could not open connection to the host on port 25: Connect Failed**.
4. If the SMTP gateway address is not valid, contact the network administrator.

### Validate the LDAP gateway (Windows)

1. Open Windows Explorer. In the address bar, type `LDAP://` immediately followed by the LDAP gateway address. For example, type `LDAP://12.12.12.12` where "12.12.12.12" represents the LDAP gateway address.
2. Press the [Enter](#) key. If the LDAP gateway address is valid, the **Find People** dialog box opens.
3. If the LDAP gateway address is not valid, contact the network administrator.

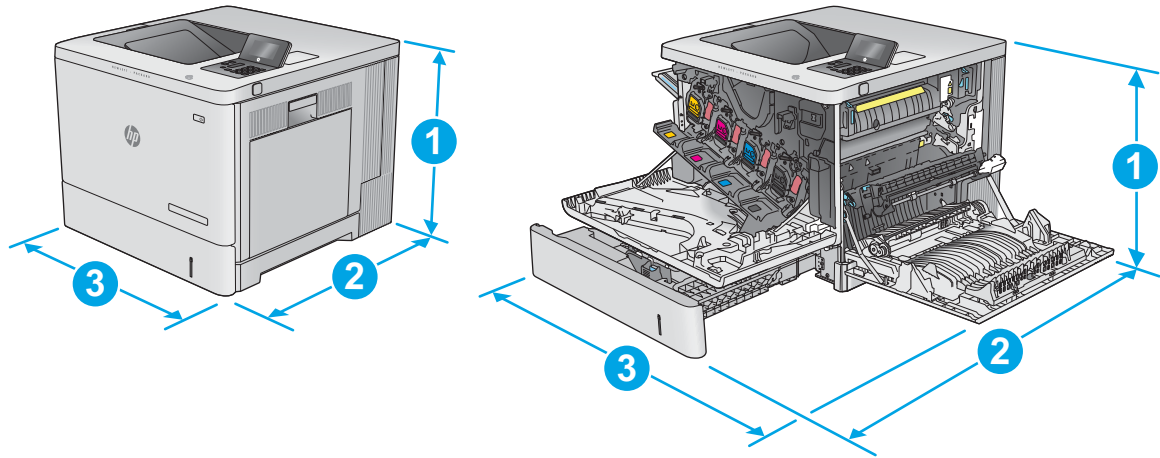
---

# A Printer specifications

- [Printer dimensions](#)
- [Printer space requirements](#)
- [Power consumption, electrical specifications, and acoustic emissions](#)
- [Operating-environment range](#)
- [Certificates of Volatility](#)

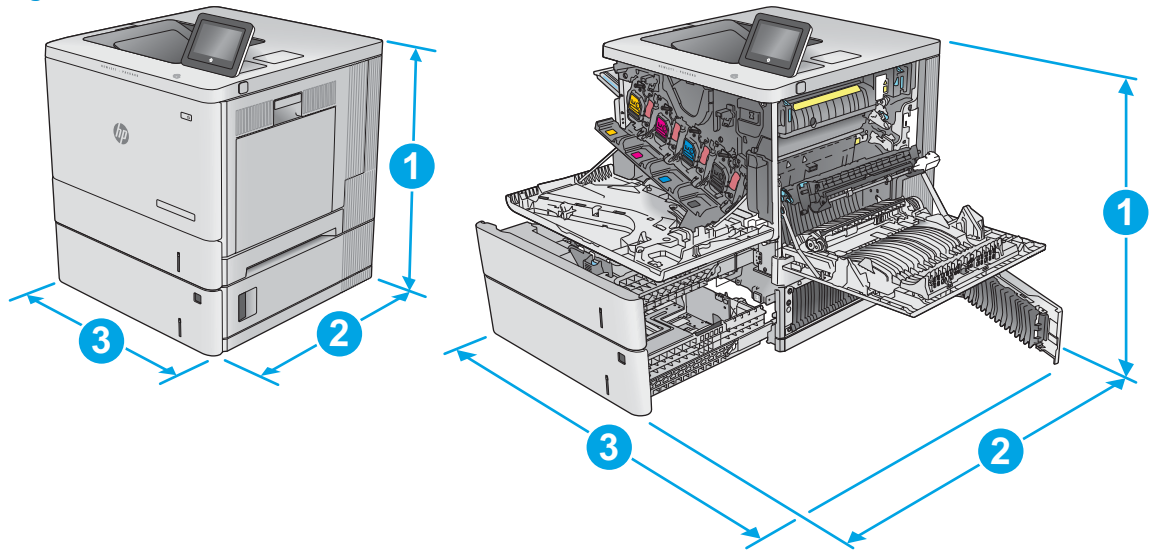
# Printer dimensions

**Figure A-1** Dimensions for the M552dn and M553n/dn models



	Printer fully closed	Printer fully opened
1. Height	399 mm (15.7 in)	399 mm (15.7 in)
2. Depth	479 mm (18.9 in)	771 mm (30.4 in)
3. Width	458 mm (18.0 in)	826 mm (32.5 in)
Weight	n model: 27 kg (59.5lb) dn model: 27.5 kg (60.6 lb)	

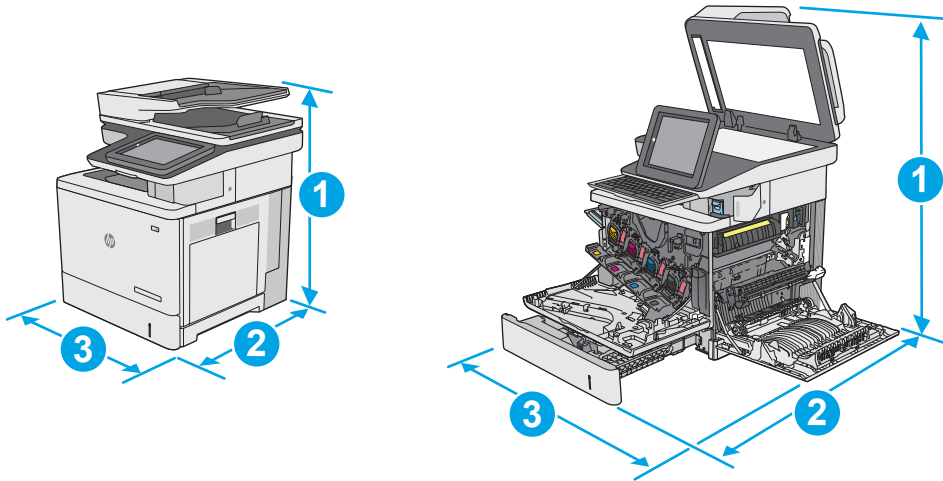
**Figure A-2** Dimensions for the M553x model



	Printer fully closed	Printer fully opened
1. Height	581 mm (22.9 in)	581 mm (22.9 in)
2. Depth	479 mm (18.9 in)	771 mm (30.4 in)

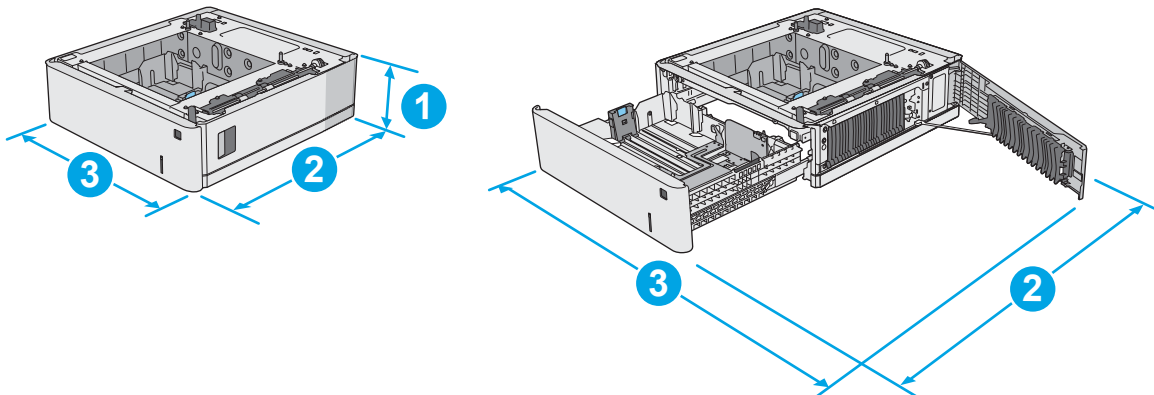
	Printer fully closed	Printer fully opened
3. Width	458 mm (18.0 in)	853 mm (33.6 in)
Weight	33.4 kg (73.6 lb)	

**Figure A-3** Dimensions for the M577 models



	Printer fully closed	Printer fully opened
1. Height	583 mm (23 in)	837 mm (33 in)
2. Depth	504 mm (19.8 in)	853 mm (33.6 in)
3. Width	482 mm (19 in)	803 mm (31.6 in)
Weight	dn model: 38.1 kg (84 lb) f model: 38.3 kg (84.5 lb) z model: 38.6 kg (85 lb)	

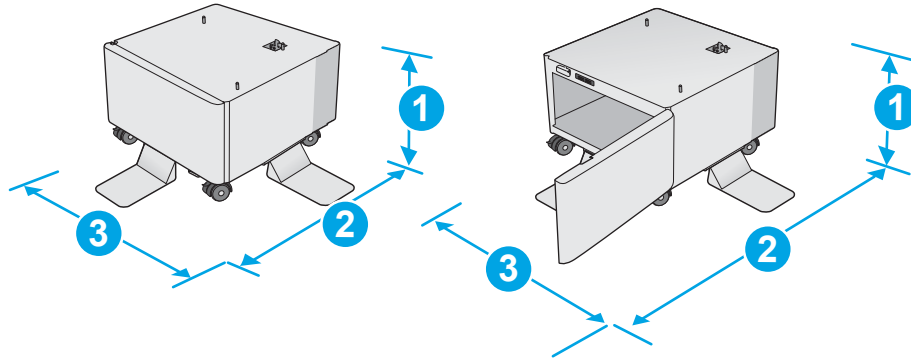
**Figure A-4** Dimensions for the 1 x 550-sheet paper feeder



1. Height	130 mm (5.1 in)
2. Depth	Tray closed: 465 mm (18.3 in) Tray opened: 768 mm (30.2 in)

3. Width	Lower-right door closed: 458 mm (18.0 in)
	Lower-right door opened: 853 mm (33.6 in)
Weight	5.8 kg (12.8 lb)

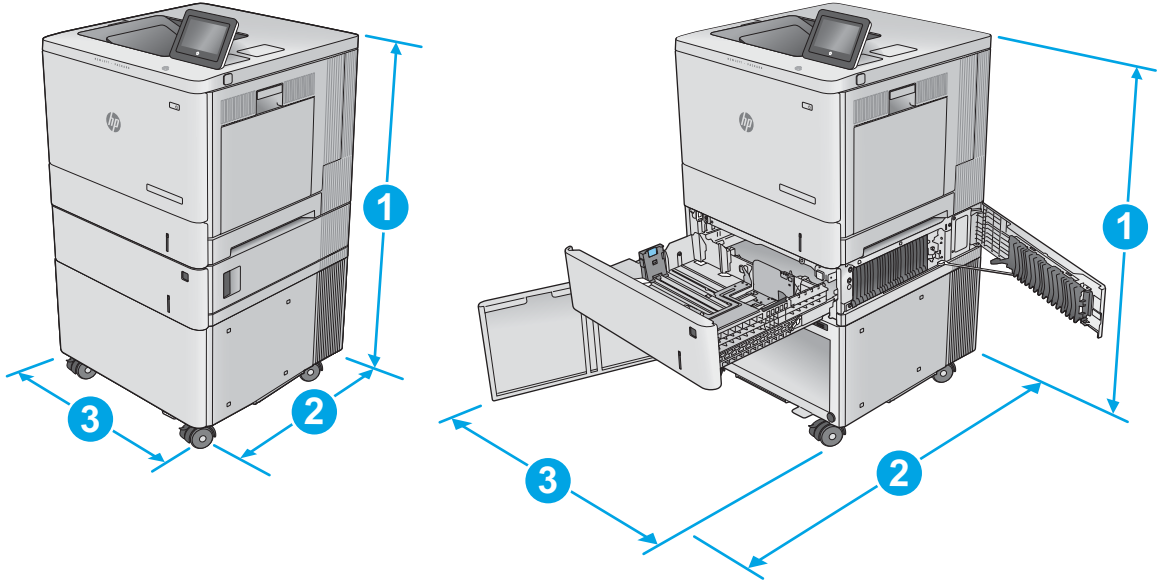
**Figure A-5** Dimensions for the cabinet/stand



1. Height	295 mm (11.6 in)
2. Depth	Door closed: 869 mm (34.2 in)
	Door opened: 1113 mm (43.8 in)
3. Width	884 mm (34.8 in)
	This value is subject to change. For current information, go to <a href="http://www.hp.com/support/colorljM552">www.hp.com/support/colorljM552</a> , <a href="http://www.hp.com/support/colorljM553">www.hp.com/support/colorljM553</a> , <a href="http://www.hp.com/support/colorljM577MFP">www.hp.com/support/colorljM577MFP</a> .
Weight	17.7 kg (39 lb)
	This value is subject to change. For current information, go to <a href="http://www.hp.com/support/colorljM552">www.hp.com/support/colorljM552</a> , <a href="http://www.hp.com/support/colorljM553">www.hp.com/support/colorljM553</a> , <a href="http://www.hp.com/support/colorljM577MFP">www.hp.com/support/colorljM577MFP</a> .

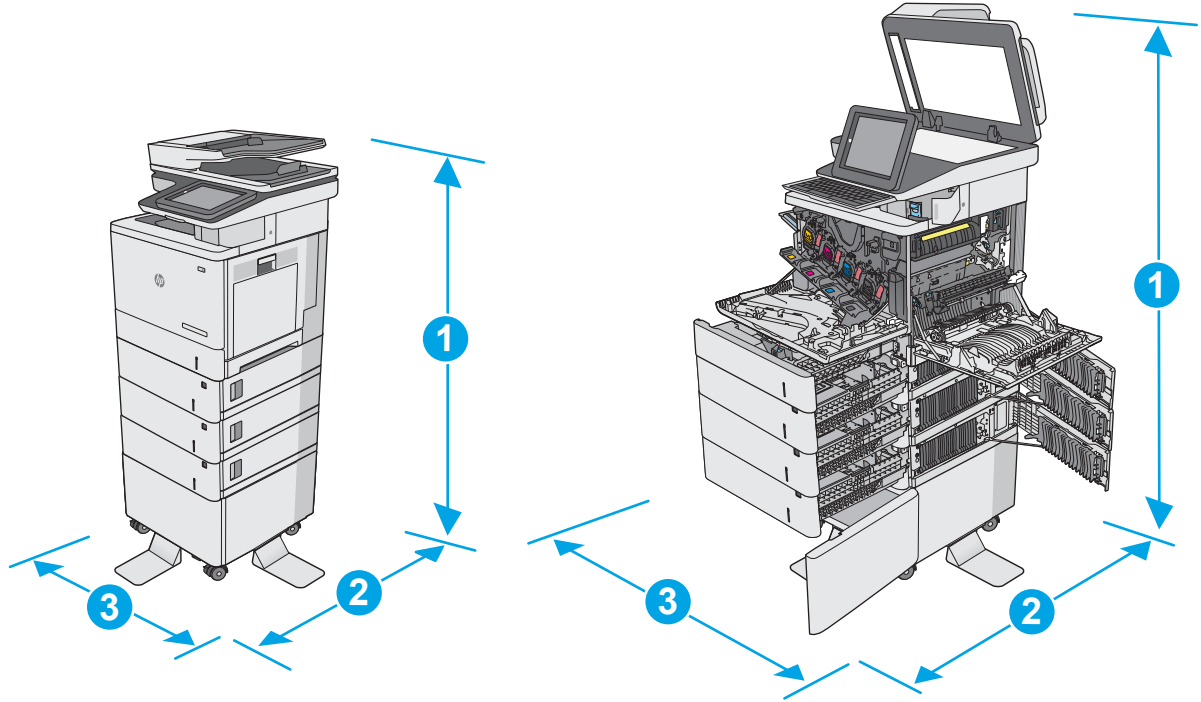


**Figure A-6** Dimensions for the M552 and M553 models with one 1 x550-sheet tray and the cabinet/stand



	<b>Printer and accessories fully closed</b>	<b>Printer and accessories fully opened</b>
1. Height	876 mm (34.5 in)	876 mm (34.5 in)
2. Depth	479 mm (18.9 in)	900 mm (35.4 in)
3. Width	458 mm (18.0 in)	853 mm (33.6 in)
Weight	51.1 kg (112.7 lb)	

**Figure A-7** Dimensions for the M577 models with three 1 x 550-sheet paper feeders and the cabinet/stand



	<b>Printer and accessories fully closed</b>	<b>Printer and accessories fully opened</b>
1. Height	1268 mm (49.9 in)	1522 mm (59.9 in)
2. Depth	869 mm (34.2 in)	1113 mm (43.8 in)
3. Width	884 mm (34.8 in)	853 mm (33.6 in)
Weight	dn model: 73.2 kg (161.4 lb) f model: 73.4 kg (161.8 lb) z model: 73.7 kg (162.5 lb)	

<sup>1</sup> These values are subject to change. For current information, go to [www.hp.com/support/colorljM552](http://www.hp.com/support/colorljM552), [www.hp.com/support/colorljM553](http://www.hp.com/support/colorljM553), [www.hp.com/support/colorljM577MFP](http://www.hp.com/support/colorljM577MFP).


<sup>2</sup> Do not extend more than one paper tray at a time.

## Printer space requirements

HP recommends that 30 mm (1.81 in) be added to the printer dimensions provided in this chapter to make sure there is sufficient space to open doors and covers, and to provide proper ventilation. See [Printer dimensions on page 494](#).

## Power consumption, electrical specifications, and acoustic emissions

See [www.hp.com/support/colorljM552](http://www.hp.com/support/colorljM552), [www.hp.com/support/colorljM553](http://www.hp.com/support/colorljM553), [www.hp.com/support/colorljM577MFP](http://www.hp.com/support/colorljM577MFP) for current information.

 **CAUTION:** Power requirements are based on the country/region where the printer is sold. Do not convert operating voltages. This will damage the printer and void the printer warranty.

## Operating-environment range

**Table A-1** Operating-environment specifications

Environment	Recommended	Allowed
Temperature	17° to 25°C (62.6° to 77°F)	15° to 30°C (59° to 86°F)
Relative humidity	30% to 70% relative humidity (RH)	10% to 80% RH
Altitude	Not applicable	0 to 3000 m (0 to 9,842 ft)

# Certificates of Volatility

**Figure A-8** Certificate of Volatility (M522/M553; 1 of 2)

Hewlett-Packard Certificate of Volatility				
Model: Color LaserJet Enterprise M552 and M553	Part Number: M552n=B5L23A; M553n=B5L24A M553dn=B5L25A; M553x=B5L26A		Address: Hewlett Packard Company 11311 Chinden Blvd Boise, ID 83714	
Volatile Memory				
Does the device contain volatile memory (Memory whose contents are lost when power is removed)? <input checked="" type="checkbox"/> Yes <input type="checkbox"/> No If Yes please describe the type, size, function, and steps to clear the memory below				
Type (SRAM, DRAM, etc): DRAM	Size: 1GB	User Modifiable: <input type="checkbox"/> Yes <input checked="" type="checkbox"/> No	Function: Temporary storage for system operation and print buffer.	Steps to clear memory: There are no steps to clear this data.
Type (SRAM, DRAM, etc):	Size:	User Modifiable: <input type="checkbox"/> Yes <input type="checkbox"/> No	Function:	Steps to clear memory:
Type (SRAM, DRAM, etc):	Size:	User Modifiable: <input type="checkbox"/> Yes <input type="checkbox"/> No	Function:	Steps to clear memory:
Non-Volatile Memory				
Does the device contain non-volatile memory (Memory whose contents are retained when power is removed)? <input checked="" type="checkbox"/> Yes <input type="checkbox"/> No If Yes please describe the type, size, function, and steps to clear the memory below				
Type (Flash, EEPROM, etc): EEPROM	Size: 32KB	User Modifiable: <input type="checkbox"/> Yes <input checked="" type="checkbox"/> No	Function: Store customer setting data for backup/restore	Steps to clear memory: There are no steps to clear this data.
Type (Flash, EEPROM, etc): SPI	Size: 4MB	User Modifiable: <input type="checkbox"/> Yes <input checked="" type="checkbox"/> No	Function: BIOS	Steps to clear memory: There are no steps to clear this data.
Type (Flash, EEPROM, etc): None	Size:	User Modifiable: <input type="checkbox"/> Yes <input type="checkbox"/> No	Function:	Steps to clear memory:
Mass Storage				
Does the device contain mass storage memory (Hard Disk Drive, Tape Backup)? <input checked="" type="checkbox"/> Yes <input type="checkbox"/> No If Yes please describe the type, size, function, and steps to clear the memory below				
Type (HDD, Tape, etc): eMMC	Size: 4GB	User Modifiable: <input checked="" type="checkbox"/> Yes <input type="checkbox"/> No	Function: JEDI and user data	Steps to clear memory: Firmware update
Type (HDD, Tape, etc):	Size:	User Modifiable: <input type="checkbox"/> Yes <input type="checkbox"/> No	Function:	Steps to clear memory:
USB				
Does the item accept USB input and if so, for what purpose (i.e Print Jobs, device firmware updates, scan upload)? <input checked="" type="checkbox"/> Yes <input type="checkbox"/> No If Yes please describe below				
Walk-up USB print				
Can any data other than scan upload be sent to the USB device)? <input type="checkbox"/> Yes <input type="checkbox"/> No If Yes please describe below				

**Figure A-9 Certificate of Volatility (M522/M553; 2 of 2)**

RF/RFID			
Does the item use RF or RFID for receive or transmit of any data including remote diagnostics. (e.g. Cellular phone, Bluetooth) <input type="checkbox"/> Yes <input type="checkbox"/> No If Yes please describe below			
Purpose			
Frequency:)		Bandwidth:	
Modulation:		Effective Radiate Power (ERP):	
Specifications:			
Other Transmission Capabilities			
Does the device employ any other methods of non-wired access to transmit or receive any data whatsoever (e.g. anything other than standard hard wired TCP/IP, direct USB, or parallel connections)? <input checked="" type="checkbox"/> Yes <input type="checkbox"/> No If Yes please describe below:			
Purpose: Wireless direct print.			
Frequency: 2.4Ghz		Bandwidth:	
Modulation:		Effective Radiate Power (ERP):	
Specifications: 802.11 b/g			
Other Capabilities			
Does the device employ any other method of communications such as a Modem to transmit or receive any data whatsoever? <input checked="" type="checkbox"/> Yes <input type="checkbox"/> No If Yes please describe below:			
Purpose: NFC; to support tap to print only			
Specifications: NFC Tag Type 4 ISO 14443B Compliant			
Author Information			
Name:	Title: Security Technical Marketing Engineer	Email:	Business Unit: IPG
			Date Prepared: 01/22/15

**Figure A-10** Certificate of Volatility (M577; 1 of 2)

Hewlett-Packard Certificate of Volatility				
Model: HP Color LaserJet Enterprise MFP M577		Part Number: B5L46A=M4577dn B5L47A= M4577f B5L48A= M4577z B5L54A= M4577c		Address: Hewlett Packard Company 11311 Chinden Blvd Boise, ID 83714
Volatile Memory				
Does the device contain volatile memory (Memory whose contents are lost when power is removed)? <input checked="" type="checkbox"/> Yes <input type="checkbox"/> No If Yes please describe the type, size, function, and steps to clear the memory below				
Type (SRAM, DRAM, etc): DRAM	Size: 1792MB	User Modifiable: <input type="checkbox"/> Yes <input checked="" type="checkbox"/> No	Function: Operation system and print/scan buffer	Steps to clear memory:
Type (SRAM, DRAM, etc):	Size:	User Modifiable: <input type="checkbox"/> Yes <input type="checkbox"/> No	Function:	Steps to clear memory:
Type (SRAM, DRAM, etc):	Size:	User Modifiable: <input type="checkbox"/> Yes <input type="checkbox"/> No	Function:	Steps to clear memory:
Non-Volatile Memory				
Does the device contain non-volatile memory (Memory whose contents are retained when power is removed)? <input checked="" type="checkbox"/> Yes <input type="checkbox"/> No If Yes please describe the type, size, function, and steps to clear the memory below				
Type (Flash, EEPROM, etc):	Size: 32KB	User Modifiable: <input type="checkbox"/> Yes <input checked="" type="checkbox"/> No	Function: Store customer setting data for backup/restore	Steps to clear memory:
Type (Flash, EEPROM, etc):	Size: 4MB	User Modifiable: <input type="checkbox"/> Yes <input checked="" type="checkbox"/> No	Function: BIOS	Steps to clear memory:
Type (Flash, EEPROM, etc):	Size:	User Modifiable: <input type="checkbox"/> Yes <input type="checkbox"/> No	Function:	Steps to clear memory:
Mass Storage				
Does the device contain mass storage memory (Hard Disk Drive, Tape Backup)? <input checked="" type="checkbox"/> Yes <input type="checkbox"/> No If Yes please describe the type, size, function, and steps to clear the memory below				
Type (HDD, Tape, etc): HDD	Size: 320GB	User Modifiable: <input checked="" type="checkbox"/> Yes <input type="checkbox"/> No	Function: OS and user data	Steps to clear memory: firmware update
Type (HDD, Tape, etc):	Size:	User Modifiable: <input type="checkbox"/> Yes <input type="checkbox"/> No	Function:	Steps to clear memory:
USB				
Does the item accept USB input and if so, for what purpose (i.e Print Jobs, device firmware updates, scan upload)? <input checked="" type="checkbox"/> Yes <input type="checkbox"/> No If Yes please describe below				
Walkup USB Print				
Can any data other than scan upload be sent to the USB device)? <input type="checkbox"/> Yes <input checked="" type="checkbox"/> No If Yes please describe below				
RF/RFID				
Does the item use RF or RFID for receive or transmit of any data including remote diagnostics. (e.g. Cellular phone, Bluetooth) <input type="checkbox"/> Yes <input type="checkbox"/> No If Yes please describe below				
Purpose:				
Frequency:		Bandwidth:		
Modulation:		Effective Radiate Power (ERP):		
Specifications:				

**Figure A-11** Certificate of Volatility (M577; 2 of 2)

Other Transmission Capabilities	
Does the device employ any other methods of non-wired access to transmit or receive any data whatsoever (e.g. anything other than standard hard wired TCP/IP, direct USB, or parallel connections)? <input checked="" type="checkbox"/> Yes <input type="checkbox"/> No If Yes please describe below:	
Purpose: WiFi Direct Print	
Frequency: 2.4 GHz	Bandwidth:
Modulation:	Effective Radiate Power (ERP):
Specifications: 802.11 b/g/n	
Other Capabilities	
Does the device employ any other method of communications such as a Modem to transmit or receive any data whatsoever? <input checked="" type="checkbox"/> Yes <input type="checkbox"/> No If Yes please describe below: NFC	
Purpose: To support Tap-to-Print only	
Specifications: NFC Tag Type 4 ISO14443B Compliant	





# Index

## Symbols/Numerics

- 1x550-sheet paper feeder PCA diagrams 169
- 550-sheet trays
  - jams 460

## A

- AC to DC conversion 18
- accessories installed, information 183
- acoustic specifications 499
- Administration menu, control panel 185
- automatic document feeder
  - scanning and image capture (M577 only) 71

## B

- back of page dirty, troubleshooting 411
- Backup/Restore menu, control panel 260
- basic printer operation 3
- bias generation
  - high-voltage power supply 21
- black page, troubleshooting 410
- black-only printing mode
  - primary transfer roller state 45
- blank pages
  - troubleshooting 472
- blank pages, troubleshooting 410
- block diagram
  - sensors and switches 161

## C

- cables
  - USB, troubleshooting 472
- calibrate
  - instructions 405

- Calibrate/Cleaning menu (M577 only), control panel 260
- calibration
  - information, printed 402
- cartridge
  - developing unit engagement and disengagement 42
  - life detection 42
  - memory chip 42
  - presence detection 42
  - toner level detection 42
- cassette presence detection trays 3-5 67
- cautions iii
- certificate of volatility 500
- characters, troubleshooting 414
- checklist
  - problems 79
- checklists
  - pre-troubleshooting 107
- circuit diagrams 177
  - fuser temperature-control 24
  - high-voltage power supply 20
  - low-voltage power supply 18
- clean the paper path
  - cleaning page printing 184, 404, 417
- cleaning
  - glass (M577 only) 439
  - paper path 417
  - printer 417
  - rollers document feeder (M577 only) 442
  - tray 1 rollers 418
  - tray 2-X rollers 429
- cleaning page 261
- clutch
  - paper feeder 66

- clutches
  - DC controller 14
- cold reset 478
- color
  - diagnostic test 392
  - primary transfer roller state 45
  - troubleshooting 401
- color is misregistered, troubleshooting 414
- component test
  - special mode test 156
- components
  - DC controller 12
  - diagnostic tests 156
  - engine-control system 11
  - fuser 23
  - intermediate transfer belt (ITB) 45
  - paper feeder 66
  - pickup, feed, and delivery 50
  - toner cartridge 40
- configuration page 140
- configuration pages
  - information 183
  - printing 84, 180
- control functions
  - fuser 24
- control panel 8
  - Administration menu 185
  - Backup/Restore menu 260
  - Calibrate/Cleaning menu (M577 only) 260
  - Copy Settings menu (M577 only) 201
  - Display Settings menu 237
  - Fax Settings menu (M577 only) 219
  - General Settings menu 187
  - Manage Supplies menu 239

- Manage Trays menu 244
- messages, types of 264
- Network Settings menu 246
- Print Options menu 235
- Print Settings menu 232
- Reports menu 185
- Scan/Digital Send Settings menu (M577 only) 209
- Service menu 263
- Troubleshooting menu 257
- USB Firmware Upgrade menu 263
- control panel diagnostic flowcharts (M553x and M577) 133
- control-panel menus 185
- conventions, document iii
- cooling
  - areas and fans 14
- counts 477
  - page, reset 477
  - refurbish cycle 478
  - reset after replacing formatter 477
  - See also* pages counts
- CPU 9
- creases, troubleshooting 415
- crooked pages
  - troubleshooting 415
- cross section
  - diagram 163
- current settings pages 85
- D**
- dark print, troubleshooting 409
- date
  - codes for firmware 183
  - manufacture 182
  - product first used 478
- DC controller
  - clutches 14
  - components 12
  - fans 14
  - motors 13
  - sensors 16
  - solenoids 14
  - switches 14
- DC controller connectors
  - diagrams 165
- DC motors 13
- DC voltages converted from AC 18
- defeating
  - interlocks 145
- demo page 140
- determine problem source 107
- determine the installed revision of
  - firmware 487
- development process 36
- diagnostics 401
  - component 156
  - engine 143
  - LED 140
  - networks 252
  - page, printing 401
  - See also* tests; troubleshooting
- diagrams
  - 1x550-sheet paper feeder PCA 169
  - block 160
  - circuit 177
  - cross sections 163
  - DC controller connectors 165
  - formatter connectors (M552 and M553) 167
  - formatter connectors (M577) 168
  - printed circuit assembly (PCA)
    - connector locations 164
  - printed circuit assembly (PCA)
    - locations 175
  - scanner control board PCA 170
  - timing 176
- dimensions, printer 494
- Display Settings menu, control panel 237
- document conventions iii
- document feeder
  - automatic document feeder (M577 only) 71
  - jams 451
- document feeder rollers (M577 only)
  - cleaning 442
- dropouts, troubleshooting 413
- drum cleaning 39
- duplexing unit
  - motors 13
- E**
- electrical specifications 499
- embedded web server 488
- engine
  - diagnostics 143
  - test page 143
- engine-control system
  - components 11
- error messages
  - types of 264
- event log 86, 140
  - clear 391, 478
  - clear using LCD control panel 87
  - clear using touchscreen control panel 87
  - information 183
  - print 390
  - view 390
- event-log messages 389
- exhaust fans 14
- F**
- faded print 409
- failure detection
  - laser/scanner 28
  - low-voltage power supply 20
  - motors 13
- fans
  - DC controller 14
  - exhaust 14
  - intake 14
- firmware
  - date codes 183
  - version information 182
- firmware, downloading new 486
- flatbed
  - scanning and image capture (M577 only) 70
- flowcharts
  - troubleshooting 108
- formatter
  - resets after replacing 477
- formatter connectors (M552 and M553)
  - diagrams 167
- formatter connectors (M577)
  - diagrams 168
- formatter control system 7
- formatter lights 140
- front of page dirty, troubleshooting 415
- fuser 22
  - components 23

- control functions 24
- control-circuit function 22
- identification 26
- jams 465
- life detection 26
- temperature control 24
- temperature protection 26
- See also fusing and delivery unit
- fusing process 38

## G

- General Settings menu, control panel 187
- glass (M577 only), cleaning 439

## H

- hardware integration pocket (HIP) is not functioning 139
- heartbeat LED 140
- heat control for fuser 24
- heaters
  - fuser 23
- high-voltage power supply (HVPS)
  - bias generation 21
  - circuits 21
  - operations 20
- home button is unresponsive 138
- horizontal white lines, troubleshooting 412
- HP embedded Jetdirect page 182
- HP Jetdirect print server
  - configuration page 182
  - lights 140
- HVPS (high-voltage power supply)
  - bias generation 21
  - circuits 21
  - operations 20

## I

- I/O interfaces 9
- image capture system
  - scanning (M577 only) 70
- image in a particular color does not print in the correct color, troubleshooting 413
- image quality
  - check paper and the printing environment 405
  - check toner-cartridge status 403
  - clean the printer 404

- inspect the toner cartridge 404
  - tray 1 rollers, clean 418
  - tray 2-X rollers, clean 429
- image quality issues
  - examples and solutions 409
- image-formation process
  - development process 36
  - drum cleaning 39
  - fusing process 38
  - ITB cleaning 39
  - laser-beam exposure 36
  - pre-exposure 35
  - primary charging 35
  - primary transfer process 37
  - secondary transfer process 37
  - separation process 38
- image-information process 29
- imaging drums
  - diagnostic test 147
- individual component diagnostics 140
- initial rotation period 5
- input/output interfaces 9
- installation
  - date calculation 478
  - verify for optional accessories 84, 180
- intake fans 14
- interlocks
  - defeating 145
- intermediate transfer belt (ITB)
  - cleaning mechanism 48
  - components 45
  - engagement and disengagement control 45
  - home position 45
  - operations 45
- interpret control-panel messages and event log entries 264
- IPv4 information 182
- IPv6 information 182
- ITB (intermediate transfer belt)
  - cleaning mechanism 48
  - engagement and disengagement control 45
  - home position 45
  - operation 45
- ITB cleaning 39

## J

- jams
  - 550-sheet trays 460
  - auto-navigation 449
  - causes of 449
  - detection in trays 3-5 69
  - diagnostic test for 148
  - document feeder 451
  - fuser 465
  - output bin 470
  - recovery 471
  - right door 465
  - sensor locations 448
  - sensors and switches 1x550-sheet feeder 449
  - sensors, printer base 448
  - Tray 1 454
  - Tray 2 456
- Jetdirect print server
  - lights 140

## K

- keyboard 8

## L

- laser-beam exposure 36
- laser/scanner
  - failure detection 28
  - operations 27
  - safety 28
- last rotation period 6
- latent image formation 33
- LDAP gateway
  - validating 492
- LEDs. See lights
- light print, troubleshooting 409
- lights
  - formatter 140
  - troubleshooting with 140
- link speed settings 256
- loose toner, troubleshooting 413
- low-voltage power supply (LVPS)
  - converted DC voltages 19
  - failure detection 20
  - operations 18
  - protection for components 19
  - stops and interruptions 19
- LVPS (low-voltage power supply)
  - converted DC voltages 19
  - failure detection 20

- operations 18
- protection for components 19
- stops and interruptions 19

**M**

- Manage Supplies menu, control panel 239
- Manage Trays menu, control panel 244
- manual print modes 406
- memory
  - toner cartridge 42
- Memory Enhancement technology (MEt) 10
- menu map 84
- menus, control panel
  - Administration 185
  - Backup/Restore 260
  - Calibrate/Cleaning (M577 only) 260
  - Display Settings 237
  - General Settings 187
  - Manage Supplies 239
  - Manage Trays 244
  - Network Settings 246
  - Print Options 235
  - Print Settings 232
  - Reports 185
  - Service 263
  - Troubleshooting 257
  - USB Firmware Upgrade 263
- messages
  - types of 264
- model number 182
- motor control
  - trays 3-5 66
- motors
  - DC controller 13
  - failure detection 13
  - image-formation system 31
  - paper feeder 66
  - pickup, feed, and delivery system 53
  - stepping 13
- movement of paper through printer. *See* pickup, feed, and delivery
- multiple feed prevention
  - trays 3-5 67

**N**

- Network Settings menu, control panel 246
- networks
  - diagnostics 252
  - HP embedded Jetdirect configuration page 182
  - link speed settings 256
  - no control panel sound 137
  - notes iii

**O**

- operation
  - Sleep mode 7
- operation sequence 5
- operations
  - laser/scanner 27
  - toner cartridge memory 42
- output bin
  - clear jams 470
- over-current protection 19
- over-voltage protection 19

**P**

- pages
  - blank 472
  - not printing 472
  - printing slowly 472
  - skewed 415
- pages count 477
  - reset 477
  - See also* counts
- paper
  - default size reset 478
  - jam detection 69
  - jams 449
  - stop in path for testing 154
  - wrinkled 415
- paper feeder
  - electrical components 66
- paper handling
  - solve problems 444
- paper jams
  - 550-sheet trays 460
  - document feeder 451
  - fuser 465
  - output bin 470
  - right door 465
  - Tray 1 454
  - Tray 2 456

- paper movement
  - operation 50
- paper path
  - diagnostic test 148
  - printer 50
  - stop movement for testing 154
- paper pickup
  - trays 3-5 67
- paper-path
  - test, sensors 149
- parameters, EP, troubleshooting 401
- password
  - Service menu PIN 477
- periods of the operation sequence 5
- pickup, feed, and delivery
  - components 50
  - overview 50
- PJL (printer job language) 8
- PML (printer management language) 8
- port configuration information 182
- power
  - consumption 499
- power subsystem 109
- power supply 18
  - troubleshooting 109
  - See also* low-voltage power supply; high-voltage power supply
- power-on troubleshooting
  - overview 109
- power-save mode. *See* sleep settings
- pre-boot menu options 88
- pre-exposure process 35
- pre-troubleshooting checklist 107
- primary charging process 35
- primary transfer roller
  - engagement and disengagement control 45
- Print Options menu, control panel 235
- print quality
  - built-in troubleshooting pages 397
  - check the paper-type setting for the print job 403
  - manual print modes 406

- test pages 180
  - use a different software program 402
- Print Settings menu, control panel 232
- Print Test Page 190
- print-quality troubleshooting 392
- printed circuit assembly (PCA) locations
  - connector locations diagrams 164
- printed circuit assembly (PCA) locations
  - diagrams 175
- printer cold reset 480
- printer job language (PJM) 8
- printer management language (PML) 8
- printer resets 479
- printer space requirements 499
- printing
  - modes, manual 406
  - period in operation sequence 6
  - stop for testing 154
  - troubleshooting 472
- problem-solving
  - event-log messages 389
  - messages, types of 264
  - networks 252
- Process Cleaning Page 261

**R**

- repetitive horizontal lines, troubleshooting 415
- repetitive white spots, troubleshooting 416
- Reports menu, control panel 185
- restore factory settings 479
- restore the service ID 479
- right door
  - jams 465

**S**

- safety
  - laser/scanner 28
- scanner (M577 only)
  - glass cleaning 439
  - tests 158
- scanner control board PCA
  - diagrams 170

- scanning
  - image capture (M577 only) 70
- secondary transfer processes 37
- security settings information 182
- sensors
  - block diagram 161
  - DC controller 16
  - diagnostic tests 149
  - image-formation system 32
  - paper feeder 66
  - pickup, feed, and delivery system 51
  - tests, diagnostic sensor and paper path 148
  - tests, manual tray/bin 153
- separation process 38
- serial number 478
- service and support information v, 2, 78
- Service ID
  - convert to date 478
  - restore 478
- Service menu options 477
- Service menu, control panel 263
- service mode functions 477
- settings
  - restore factory 479
- skewed pages
  - troubleshooting 415
- Sleep mode
  - operation 7
- sleep settings 7
  - voltage too high during 19
- smear toner, troubleshooting 414
- SMTP gateway
  - validating 492
- solenoids
  - DC controller 14
  - pickup, feed, and delivery system 53
- solve connectivity problems 475
- solve performance problems 472
  - factors affecting print performance 472
  - print speeds 473
  - product does not print or it prints slowly 473
  - product prints slowly 474

- solve problems 77
  - output is curled or wrinkled 445
  - paper does not feed
    - automatically 447
  - paper does not feed from Tray 2-X 445
  - paper handling 444
  - printer will not duplex or duplexes incorrectly 444
  - printer feeds incorrect page size 444
  - printer pulls from incorrect tray 444
  - product does not pick up paper 446
  - product does not pick up paper or misfeeds 446
  - product picks up multiple sheets of paper 447
- solving
  - direct-connect problems 475
- space requirements, printer 499
- specifications
  - electrical and acoustic 499
  - space requirements 499
- standby period 5
- status
  - messages, types of 264
- status page 140
- stepping motors 13
- stop printing for test 154
- sub-voltage
  - low-voltage power supply circuit 19
- switches
  - block diagram 161
  - DC controller 14
  - paper feeder 66
  - pickup, feed, and delivery system 51

**T**

- TCP/IP information 182
- temperature
  - control for fuser 24
  - fuser heater protection 26
- tests
  - color band 392
  - component tests list and descriptions 157

- disable cartridge check 147
  - engine 143
  - networks 252
  - paper path 148
  - paper path and sensor
    - diagnostic 148
  - paper-path sensors 149
  - print/stop 154
  - scanner (M577 only) 158
  - scanner tests 158
  - tray/bin manual sensor 153
  - text, troubleshooting 414
  - thermistors
    - fuser 23
  - thermoswitches
    - fuser 24
  - timing chart 176
  - tips iii
  - toner
    - image formation, use during 33
    - loose, troubleshooting 413
    - smear, troubleshooting 414
  - toner cartridge
    - developing unit engagement and disengagement 42
    - life detection 42
    - memory chip 42
    - presence detection 42
    - toner level detection 42
  - toner cartridges 40
    - components 40
    - diagnostic test 147
    - error conditions 40
    - operations 40
  - touchscreen blank, white, or dim (no image) 134
  - touchscreen control panel 8
  - touchscreen has an unresponsive zone 136
  - touchscreen is slow to respond 135
  - transfer processes 37
  - transfer roller
    - engagement and disengagement control 45
  - transfer unit
    - operation 45
  - tray
    - lift operation 68
  - Tray 1
    - jams 454
  - tray 1 rollers
    - cleaning 418
  - Tray 2
    - jams 456
  - tray 2-X rollers
    - cleaning 429
  - tray selection - use requested tray 244
  - trays 3-5
    - cassette lift operation 68
    - motor control 66
    - multiple feed prevention 67
    - paper pickup 67
    - tray presence detection 67
  - trays 3-6
    - jam detection 69
  - troubleshooting 77, 401
    - blank pages 472
    - calibrate the printer 405
    - check paper and the printing environment 405
    - check the paper-type setting for the print job 403
    - check toner-cartridge status 403
    - checklist 79, 107
    - clean the paper path 184, 404, 417
    - clean the printer 404
    - color 401
    - configuration page 140
    - configuration pages for 84, 180
    - control panel checks 113
    - demo page 140
    - direct-connect problems 475
    - EP parameters 401
    - event log 140
    - flowchart 108
    - inspect the toner cartridge 404
    - jams 448, 449
    - lights, using 140
    - network problems 475
    - pages not printing 472
    - pages printing slowly 472
    - power 109
    - print from a different software program 402
    - process 107
    - reports and tools 140
    - skewed pages 415
    - status page 140
    - text 414
    - toner smear 414
    - USB cables 472
    - wired network 475
    - wrinkles 415
    - See also* diagnostics
  - Troubleshooting menu, control panel 257
- U**
- understand lights on the formatter
    - formatter lights 140
  - understand the lights on the formatter
    - heartbeat LED 140
    - HP Jetdirect LEDs 143
  - upgrade firmware 488
  - upgrades, downloading printer firmware 486
  - USB Firmware Upgrade menu, control panel 263
  - USB flash drive
    - firmware upgrade, control panel 491
    - firmware upgrade, pre-boot menu 489
  - USB port
    - troubleshooting 472
  - Use Requested Tray 244
- V**
- version, hardware firmware 182
  - vertical density variation, troubleshooting 416
  - vertical streaks or bands, troubleshooting 411
  - vertical white lines all colors, troubleshooting 412
  - vertical white lines, troubleshooting 411
- W**
- waiting period 5
  - warnings iii
  - warranty date information 478
  - weight, printer 494
  - white spots, troubleshooting 410
  - wrinkles, troubleshooting 415